



Solenoid valve 2/2 way N.C. With pilot control - Progressive closing

21WN5KB190-PC

÷

21WN6KB250-PC

PRESENTATION:

S.V. with pilot control for interception of fluids compatible with the construction materials.
A minimum operational pressure of 0,2 bar is required.
The materials used and the tests undertaken ensure maximum reliability and duration.

USE: Automation
Heating

PIPES: 3/4 NPT – 1 NPT

COILS: 8W - Ø 13
BDA - BSA 155°C (class F)
BDV 180°C (class H)

COIL HOUSING AND COIL FORMER MATERIAL ARE MADE BY 100% VIRGIN MATERIAL.

Max. allowable pressure (PS) 25 bar

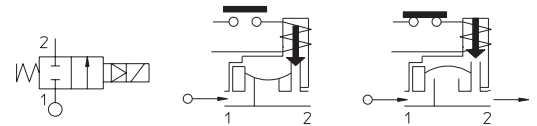
Ambient temperature:

See coils catalogue page for its compatibility.



Gaskets	Temperature		Medium
	- 10°C	+ 90°C	
B =NBR (nitrile rubber)	- 10°C	+ 90°C	Air, inert gas, water
V =FKM (fluoroelastomer)	- 10°C	+140°C	Mineral oils (2°E), gasoline gas oil

For seals other than NBR replace the letter “**B**” with the ones corresponding to the other seals. E.I. 21WN5KV190-PC.



Pipe ISO 228/1	Code	Max viscosity		Ø mm	Kv l/mn	Power watt	Pressure		
		cSt	°E				min bar	M.O.P.D.	
								AC bar	DC bar
3/4 NPT	21WN5KB190-PC	12	~ 2	19	8	0,2	16	16	
1 NPT	21WN6KB250-PC			25					

The “ODE ” reserves the right to carry out technical and aesthetic modifications without prior notice.

MATERIALS:

Body Brass - UNI EN 12165 CW617N
Armature tube Stainless steel AISI series 300
Fixed core Stainless steel AISI series 400
Plunger Stainless steel AISI series 400
Phase displacement ring Copper - Cu 99,9%
Spring Stainless steel AISI series 300
Seal Standard: B=NBR
 On request: V=FKM
Orifice Brass - UNI EN 12165 CW617

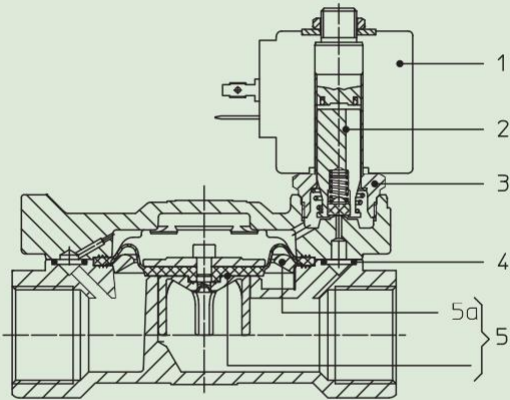
On request: Pg 9 or Pg 11
Connector ISO 4400
Connector conformity

FEATURES:

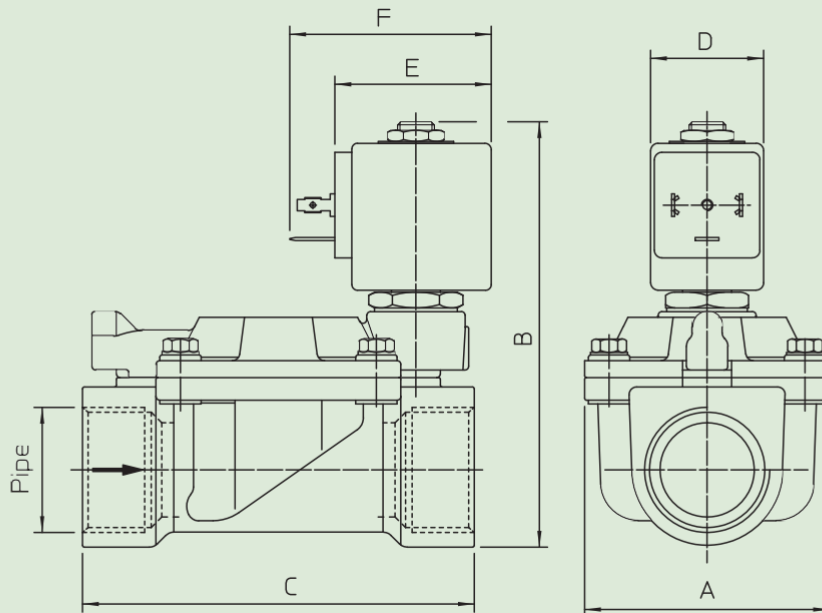
Electrical conformity IEC 335
Protection degree IP 65 EN 60529 (DIN 40050)
 with coil fitted by connector

SPARE PARTS:

- 1. Coil:** See coils list **KIT:** KT130KB30-A=2+3
- 2. Complete plunger:** Code R450898/B **MAINTENANCE KIT:**
- 3. Complete armature tube :** KTG0W3KB19-PC=2+4+5
Code R450606
- 4. Gasket O-Ring** Code R990002/B
- 5. Complete diaphragm:** Code R451157/B
- 5a. Diaphragm-supporting Ring:** Code R451228



DIMENSIONS:



Type	Pipe ISO 228/1	A mm	B mm	C mm
21WN5KB190-PC	G 3/4	65	105	104
21WN6KB250-PC	G 1		112	

COIL TYPE	POWER ABSORPTION			DIMENSIONS		
	W ==	Hold VA ~	Inrush VA ~	D mm	E mm	F mm
B	8	14,5	25	30	42	54