



# Solenoid valve 2/2 way N.C. With pilot control

21WN3R0B130

÷

21WN4R0B130

## PRESENTATION:

S.V. with pilot control for interception of fluids compatible with the construction materials.

A minimum operational pressure of 0,2 bar is required.

The materials used and the tests carried out ensure maximum reliability and duration.

**USE:** Automation  
Heating

**PIPES** 3/8 NPT-1/2 NPT

**COILS:** 5W - Ø 10  
LBA 155°C (class F)  
LBF - LBV 180°C (class H)

**COIL HOUSING AND COIL FORMER MATERIAL ARE MADE BY 100% VIRGIN MATERIAL.**

Max. allowable pressure (PS) 25 bar

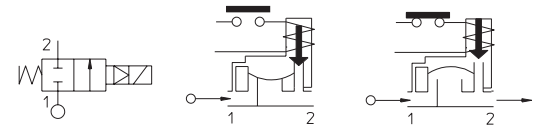
Ambient temperature:

See coils catalogue page for its compatibility.



Gaskets	Temperature		Medium
<b>B</b> =NBR (nitrile rubber)	- 10°C	+ 90°C	Air, inert gas, water
<b>E</b> =EPDM (ethylene-propylene)	- 10°C	+140°C	Water, low pressure steam
<b>V</b> =FKM (fluoroelastomer)	- 10°C	+140°C	Mineral oils (2°E), gasoline gas oil

For seals other than NBR replace the letter "B" with the ones corresponding to the other seals. E.I. 21WN3R0V130



Pipe ISO 228/1	Code	Max viscosity		Ø mm	Kv l/mn	Power watt	Pressure		
		cSt	°E				min bar	M.O.P.D. AC bar DC bar	
3/8 NPT	21WN3R0B130	12	~ 2	13	60	5	0,2	12	12
1/2 NPT	21WN4R0B130				70				

The "ODE" reserves the right to carry out technical and aesthetic modifications without prior notice.

**MATERIALS:**

**Body** Brass - UNI EN 12165 CW617N  
**Armature tube** Stainless steel AISI series 300  
**Fixed core** Stainless steel AISI series 400  
**Plunger** Stainless steel AISI series 400  
**Phase displacement ring** Copper - Cu 99,9%  
**Spring** Stainless steel AISI series 300  
**Seal** Standard: B=NBR  
 On request: V=FKM E=EPDM  
**Orifice** Brass - UNI EN 12165 CW617N

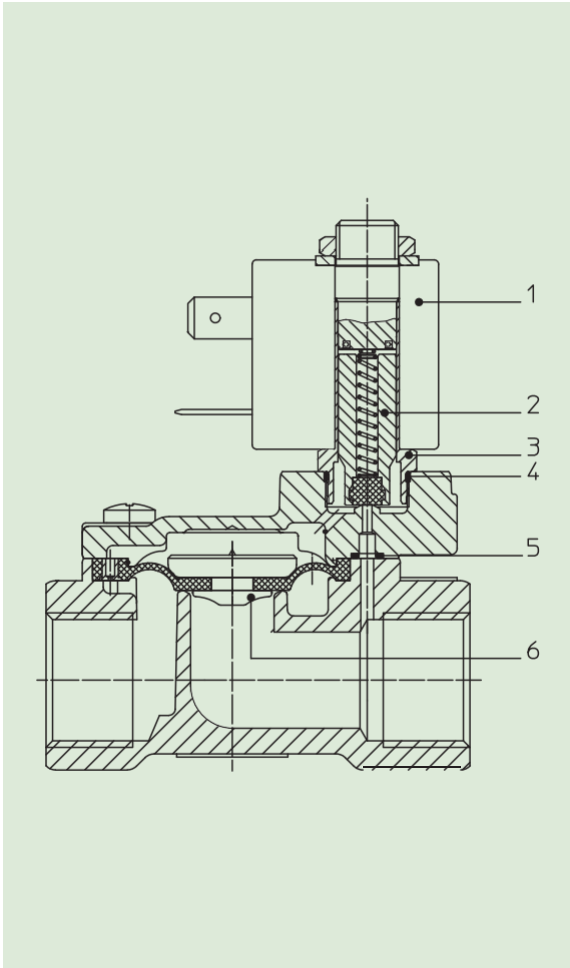
**On request:** Pg 9 or Pg 11  
**Connector** ISO 4400  
**Connector conformity**

**FEATURES:**

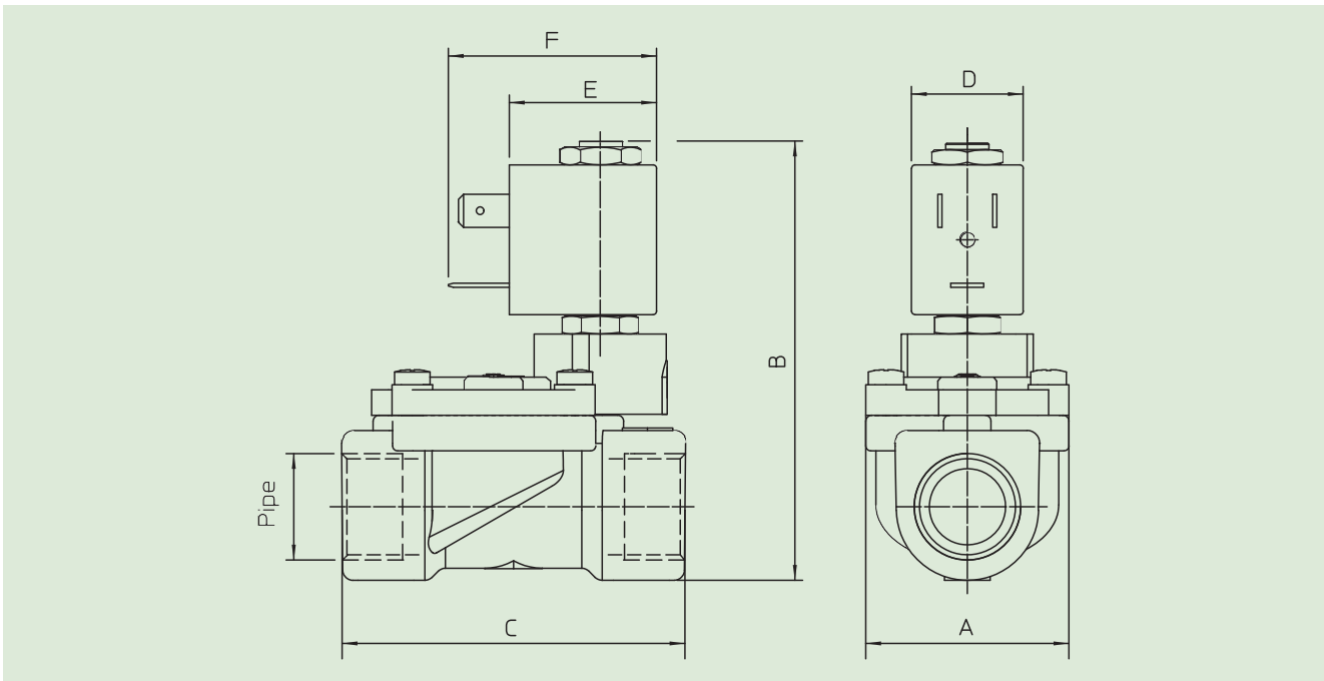
**Electrical conformity** IEC 335  
**Protection degree** IP 65 EN 60529 (DIN 40050)  
 with coil fitted by connector.

**SPARE PARTS:**

- 1. Coil:** See coils list **KIT:** KT100R0B25-FJ= **2+3+4**
- 2. Complete plunger:** Code R453740/B **MAINTENANCE KIT**
- 3. Complete armature tube:** Code R452062 **KTGWA3R0B13= 2+5+6**
- 4. Gasket O-Ring:** Code R990597/B
- 5. Gasket O-Ring:** Code R990300/B
- 6. Complete diaphragm:** Code R452186/B



**DIMENSIONS:**



Type	Pipe ISO 228/1	A mm	B mm	C mm
21WN3R0B130	3/8 NPT	40	84,5	60
21WN4R0B130	1/2 NPT			66

COIL TYPE	POWER ABSORPTION			DIMENSIONS		
	W ==	Hold VA ~	Inrush VA ~	D mm	E mm	F mm
L	5	10	15	22	27,5	39,5