



**Solenoid valve 2/2 way N.C.
With pilot control
Explosion proof - Atex Ex d**

**21WN3KIB130
÷
21WN9KIB500**

PRESENTATION:

S.V. with pilot control for interception of fluids compatible with the construction materials. Aluminium coil housing, explosion proof "Ex d" . Electrical and electromechanical components according to Atex Directive 2014/34/EU.

A minimum operational pressure of 0,2 bar is required. The materials used and the tests carried out ensure maximum reliability and duration.

USE: Potentially explosive atmospheres
Zone 1, 2, 21, 22

PIPES: 3/8 NPT - 2 NPT

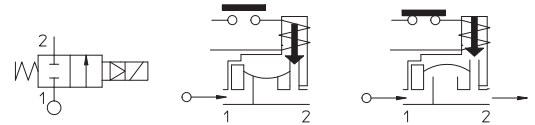
COIL: 8W - Ø 13
BDV 180°C (class H)

Max. allowable pressure (PS)
3/8 NPT - 1 NPT 25 bar
1 1/4 NPT - 2 NPT 16 bar
Housing ambient temperature - 40°C + 60°C



Gaskets	Temperature		Medium
B =NBR (nitrile rubber)	- 10°C	+ 80°C	Air, inert gas, water
E =EPDM (ethylene-propylene)	- 10°C	+ 80°C	Water, low pressure steam
V =FKM (fluoroelastomer)	- 10°C	+ 80°C	Mineral oils (2°E), gasoline gas oil
F =H-NBR (hydrogenated nitrile)	- 30°C	+ 80°C	Air, inert gas, water R 134a, R 404a

For seals other than NBR replace the letter "B" with the ones corresponding to the other seals. E.I. Es.21WN5KIV190.



Pipe ANSI/ASME Bl.20.1	Code	Max viscosity		Ø mm	Kv l/mn	Power watt	Pressure		
		cSt					min bar	M.O.P.D. AC bar DC bar	
3/8 NPT	21WN3KIB130	12	~ 2	13	60	8	0,2	16	16
1/2 NPT	21WN4KIB130				70				
3/4 NPT	21WN5KIB190				140				
1 NPT	21WN6KIB250			25	190			10	10
1 1/4 NPT	21WN7KIB350			35	400				
1 1/2 NPT	21WN8KIB400			40	520				
2 NPT	21WN9KIB500			50	750				



CE Approval
(Pressure Equipment Directive 2014/68/EU)
for S.V. 21WN7÷21WN9



(According to Directive 2014/34/EU ATEX)
II 2G Ex d IIC T6 or T5 Gb
II 2D Ex tb IIIC T80°C or T95°C Db IP67

Note
Available on request and with minimum quantities.

The "ODE " reserves the right to carry out technical and aesthetic modifications without prior notice.

MATERIALS:

Body Brass - UNI EN 12165 CW617N
Armature tube Stainless steel AISI series 300
Fixed core Stainless steel AISI series 400
Plunger Stainless steel AISI series 400
Phase displacement ring Copper - Cu 99,9%
Spring Stainless steel AISI series 300
Seal Standard: B=NBR
 On request: V=FKM; E=EPDM; F=H-NBR
Orifice Brass - UNI EN 12165 CW617N
Coil housing: Die cast and passivated Aluminium

Connector conformity ISO 4400

FEATURES:

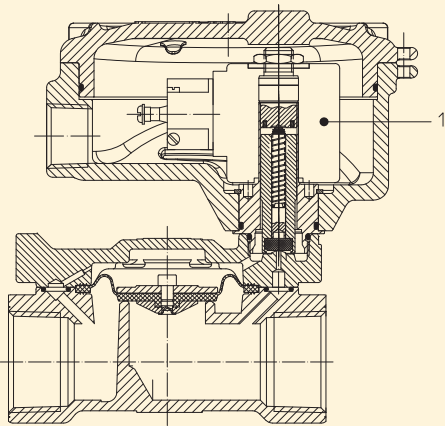
Electrical conformity IEC 335
Protection degree IP 67 EN 60529 (DIN 40050)
 if installed with cable gland Atex Ex d IP67 or higher.

SPARE PARTS:

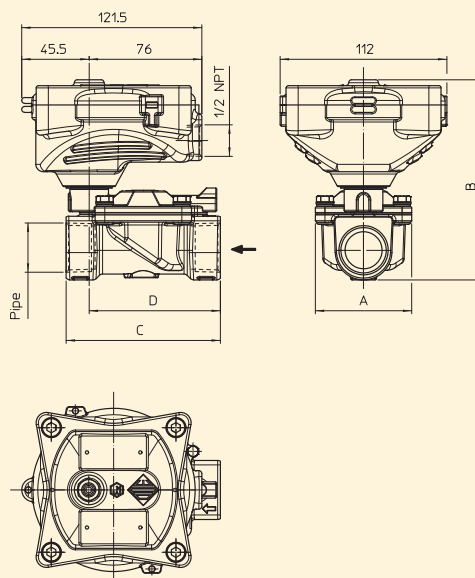
1. Coil:
 See coils list for Solenoid valves explosion proof Atex - Ex d

ACCESSORIES:

Code P992219 Cable Gland (to be ordered separately)



DIMENSIONS:



Type	Pipe	A mm	B mm	C mm	D mm
21WN3KIB130	3/8 NPT	40	120	60	47
21WN4KIB130	1/2 NPT			66	50
21WN5KIB190	3/4 NPT	65	128	104	89
21WN6KIB250	1 NPT				
21WN7KIB350	1 1/4 NPT	98	153	144	125
21WN8KIB400	1 1/2 NPT				
21WN9KIB500	2 NPT	118	166	171	150

COIL TYPE	POWER ABSORPTION		
	W	Hold VA ~	Inrush VA ~
B	8	14,5	25