



# Solenoid valve 2/2 way N.C. With pilot control - NSF Certified

21WN3K1V130-T3  
÷  
21WN8K1V400-T3

## PRESENTATION:

S.V. with pilot control for interception of fluids compatible with the construction materials.

A minimum operational pressure of 0,2 bar is required.

The materials used and the tests carried out ensure maximum reliability and duration.

**USE:** Water  
Water distribution

**PIPES:** 3/8 NPT - 1 1/2 NPT

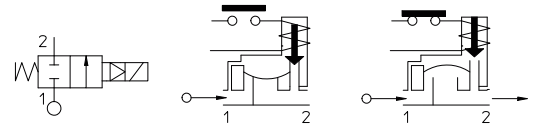
**COILS:** 8W - Ø 13  
BDA - BSA 155°C (class F)  
BDV 180°C (class H)

**COIL HOUSING AND COIL FORMER MATERIAL ARE MADE BY 100% VIRGIN MATERIAL.**

Max. allowable pressure (PS)  
3/8 NPT - 1NPT 25 bar  
1 1/4 NPT - 1 1/2 NPT 16 bar  
See coils catalogue page for its compatibility.



Gaskets	Temperature		Medium
V=FKM (fluoroelastomer)	- 10°C	+140°C	Water, Water distribution



Pipe ANSI/ASME BI.20.1	Code	Max viscosity		Ø mm	Kv l/mn	Power (watt)	Pressure		
		cSt	°E				min bar	M.O.P.D	
								AC bar	DC bar
3/8 NPT	21WN3K1V130-T3	12	~ 2	13	60	8	0,2	16	16
1/2 NPT	21WN4K1V130-T3				70				
3/4 NPT	21WN5K1V190-T3			19	140				
1 NPT	21WN6K1V250-T3			25	190				
1 1/4 NPT	21WN7K1V350-T3			35	400				
1 1/2 NPT	21WN8K1V400-T3			40	520			10	10



**CE Approval**  
(Pressure Equipment Directive 2014/68/EU)  
for S.V. 21WN7÷21WN8

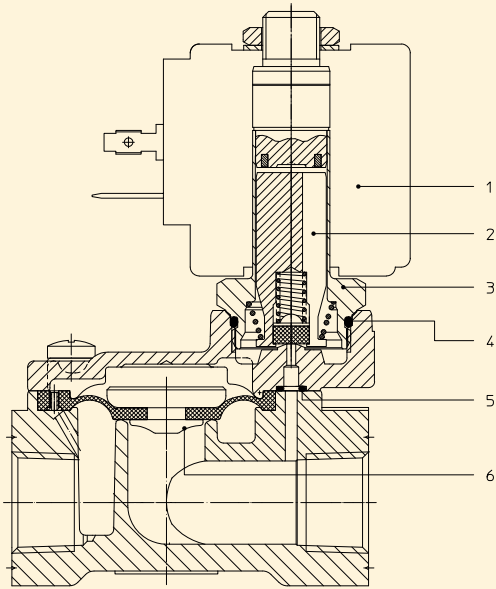


COMPONENT

**AB1953 COMPLIANT**

**Note**  
Available on request and with minimum quantities.

The "ODE" reserves the right to carry out technical and aesthetic modifications without prior notice.



### MATERIALS:

<b>Body</b>	Low Lead Brass
<b>Armature tube</b>	Stainless steel AISI series 300
<b>Fixed core</b>	Stainless steel AISI series 400
<b>Plunger</b>	Stainless steel AISI series 400
<b>Phase displacement ring</b>	Gold plated copper
<b>Spring</b>	Stainless steel AISI series 300
<b>Seal</b>	V=FKM
<b>Orifice</b>	Low Lead Brass

### On request:

<b>Connector</b>	Pg 9 or Pg 11
<b>Connector conformity</b>	ISO 4400

### FEATURES:

<b>Electrical conformity</b>	IEC 335
<b>Protection degree</b>	IP 65 EN 60529 (DIN 40050) with coil fitted by connector.

### SPARE PARTS:

<b>1. Coil:</b>	3/4 -1 NPT
See coils list	Code R450431/VX/P
<b>2. Complete plunger:</b>	1 1/4 - 1 1/2 NPT
Code R450898/VX	Code R450466/VX/P
<b>3. Complete armature tube:</b>	
Code R450606/D	
<b>4. Gasket O-Ring:</b>	
Code R992352/VX	
<b>5. Gasket O-Ring:</b>	
3/8 -1/2 NPT Cod. R990300/VX	3/8 NPT - 1/2 NPT
3/4 -1 NPT Cod. R990002/VX	KTGWAK1V13-3=2+5+6
1 1/4 -1 1/2 NPT Cod. R990005/VX	3/4 NPT - 1 NPT
<b>6. Complete diaphragm</b>	KTG0W3K1V19-3=2+5+6
3/8 -1/2 NPT	1 1/4 NPT - 1 1/2 NPT
Code R452186/VX/P	KTG0W5K1V35-3=2+5+6

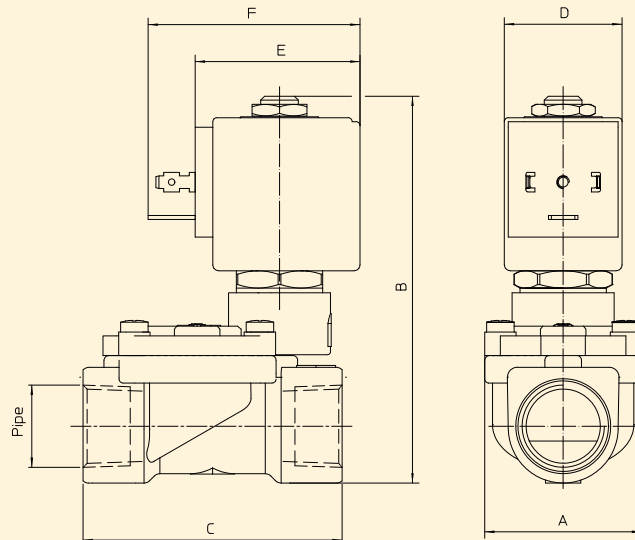
### KIT:

KT130K1V55-A=2+3

### MAINTENANCE KIT:

3/8 NPT - 1/2 NPT  
KTGWAK1V13-3=2+5+6  
3/4 NPT - 1 NPT  
KTG0W3K1V19-3=2+5+6  
1 1/4 NPT - 1 1/2 NPT  
KTG0W5K1V35-3=2+5+6

### DIMENSIONS:



Type	Pipe	A mm	B mm	C mm
21WN3K1V130-T3	3/8 NPT	40	97	60
21WN4K1V130-T3	1/2 NPT			66
21WN5K1V190-T3	3/4 NPT	65	105	104
21WN6K1V250-T3	1 NPT			
21WN7K1V350-T3	1 1/4 NPT	98	125	144
21WN8K1V400-T3	1 1/2 NPT			

COIL TYPE	POWER ABSORPTION			DIMENSIONS		
	W ---	Hold VA ~	Inrush VA ~	D mm	E mm	F mm
B	8	14,5	25	30	42	54