



# Solenoid valve 2/2 way N.C. With pilot control - Progressive closing

21WN3K0B130-PC

÷

21WN4K0B130-PC

## PRESENTATION:

S.V. with pilot control for interception of fluids compatible with the construction materials.

A minimum operational pressure of 0,2 bar is required.

The materials used and the tests carried out ensure maximum reliability and duration.

**USE:** Automation  
Heating

**PIPES:** 3/8 NPT - 1/2 NPT

**COILS:** 8W - Ø 13  
BDA - BSA 155°C (class F)  
BDV 180°C (class H)

**COIL HOUSING AND COIL FORMER MATERIAL ARE MADE BY 100% VIRGIN MATERIAL.**

Max. allowable pressure (PS) 25 bar

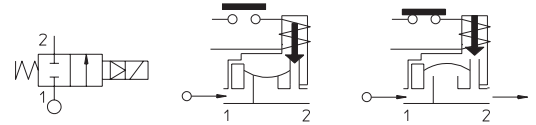
Ambient temperature:

See coils catalogue page for its compatibility.



Gaskets	Temperature		Medium
	- 10°C	+ 90°C	
<b>B</b> =NBR (nitrile rubber)	- 10°C	+ 90°C	Air, inert gas, water
<b>E</b> =EPDM (ethylene-propylene)	- 10°C	+140°C	Water, low pressure steam
<b>V</b> =FKM (fluoroelastomer)	- 10°C	+140°C	Mineral oils (2°E), gasoline gas oil

For seals other than NBR replace the letter "B" with the ones corresponding to the other seals. E.I. 21WN3K0V130-PC.



Pipe ISO 228/1	Code	Max viscosity		Ø mm	Kv l/mn	Power watt	Pressure		
		cSt	°E				min bar	M.O.P.D.	
								AC bar	DC bar
3/8 NPT	21WN3K0B130-PC	12	~ 2	13	35	8	0,2	16	16
1/2 NPT	21WN4K0B130-PC								

The "ODE" reserves the right to carry out technical and aesthetic modifications without prior notice.

**MATERIALS:**

<b>Body</b>	Brass - UNI EN 12165 CW617N
<b>Armature tube</b>	Stainless steel AISI series 300
<b>Fixed core</b>	Stainless steel AISI series 400
<b>Plunger</b>	Stainless steel AISI series 400
<b>Phase displacement ring</b>	Copper - Cu 99,9%
<b>Spring</b>	Stainless steel AISI series 300
<b>Seal</b>	Standard: B=NBR On request: V=FKM
<b>Orifice</b>	Brass - UNI EN 12165 CW617N

**On request:**

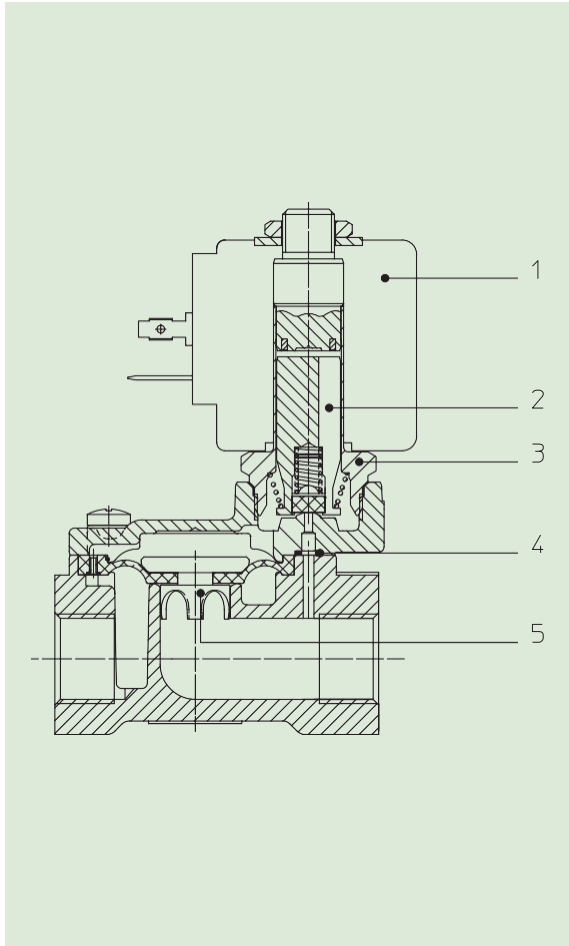
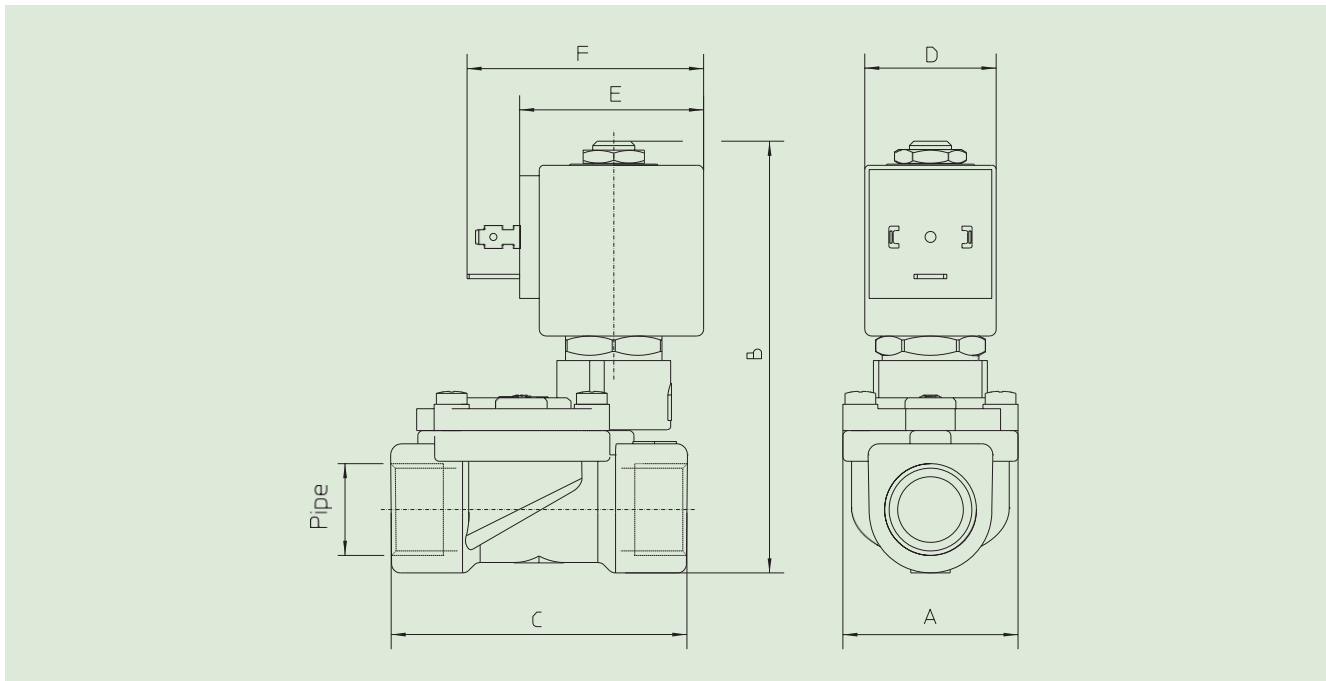
<b>Connector</b>	Pg 9 or Pg 11
<b>Connector conformity</b>	ISO 4400

**FEATURES:**

<b>Electrical conformity</b>	IEC 335
<b>Protection degree</b>	IP 65 EN 60529 (DIN 40050) with coil fitted by connector.

**SPARE PARTS:**

- Coil:**  
See coils list
- Complete plunger:**  
Code R450890/**B**
- Complete armature tube:**  
Code R450606
- Gasket O-Ring:**  
Code R990300/**B**
- Complete diaphragm:**  
Code R452401/**B**

**KIT:**KT130K**B**55-A=**2+3****MAINTENANCE KIT:**KTGWA3K0**B**13-PC=**2+4+5****DIMENSIONS:**

Type	Pipe ISO 228/1	A mm	B mm	C mm
21WN3K0 <b>B</b> 130-PC	3/8 NPT	40	97	60
21WN4K0 <b>B</b> 130-PC	1/2 NPT			66

COIL TYPE	POWER ABSORPTION			DIMENSIONS		
	W =	Hold VA ~	Inrush VA ~	D mm	E mm	F mm
B	8	14,5	25	30	42	54