



# Solenoid valve 2/2 way N.C. With pilot control

21WN10KB650

÷

21WN11KB750

## PRESENTATION:

S.V. with pilot control for interception of fluids compatible with the construction materials.

A minimum operational pressure is required.

The materials used and the tests carried out ensure maximum reliability and duration.

**USE:** Automation  
Heating

**PIPES:** 2 1/2 NPT - 3 NPT

**COILS:** 8W - Ø 13  
BDA - BSA 155°C (class F)  
BDV 180°C (class H)

**COIL HOUSING AND COIL FORMER MATERIAL ARE MADE BY 100% VIRGIN MATERIAL.**

Max. allowable pressure (PS) 20 bar

Ambient temperature:

See coils catalogue page for its compatibility.

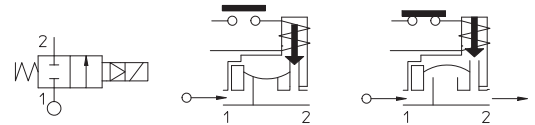
For more information refer to the groups with regard to the above directive or contact our technical service.



Gaskets	Temperature	Medium*
B=NBR (nitrile rubber)	- 10°C + 90°C	Air, water, inert gas

\* Use only with gaseous fluids of Group 2 (i.c. air) or for liquids or fluids Group 1 and 2 (i.c. water).

Definition type of fluid according to Directive 2014/68/UE



Pipe ANSI/ASME BI.20.1	Code	Max viscosity		Ø mm	Kv l/mn	Power watt	Pressure		
		cSt	°E				min	M.O.P.D.	
							bar	AC bar	DC bar
2 1/2 NPT	21WN10KB650	12	~ 2	65	1250	8	0,3	5	5
3 NPT	21WN11KB750			75					



**CE Approval**

(Pressure Equipment Directive 2014/68/EU)

## Note

The solenoid is supplied with already assembled nozzle Ø 1.2 mm in the standard configuration. Undersized and oversized nozzles are supplied to adjust the switching velocity depending on the valve application.

The "ODE" reserves the right to carry out technical and aesthetic modifications without prior notice.

### MATERIALS:

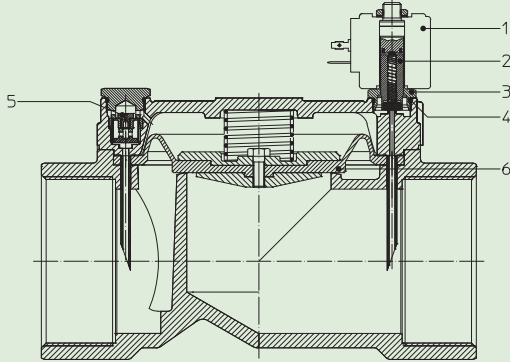
<b>Body</b>	Brass - UNI EN 12165 CW617N
<b>Armature tube</b>	Stainless steel AISI series 300
<b>Fixed core</b>	Stainless steel AISI series 400
<b>Plunger</b>	Stainless steel AISI series 400
<b>Phase displacement ring</b>	Copper - Cu 99,9%
<b>Spring</b>	Stainless steel AISI series 300
<b>Seal</b>	B=NBR
<b>Orifice</b>	Brass - UNI EN 12165 CW617N

### On request:

<b>Connector</b>	Pg 9 or Pg 11
<b>Connector conformity</b>	ISO 4400

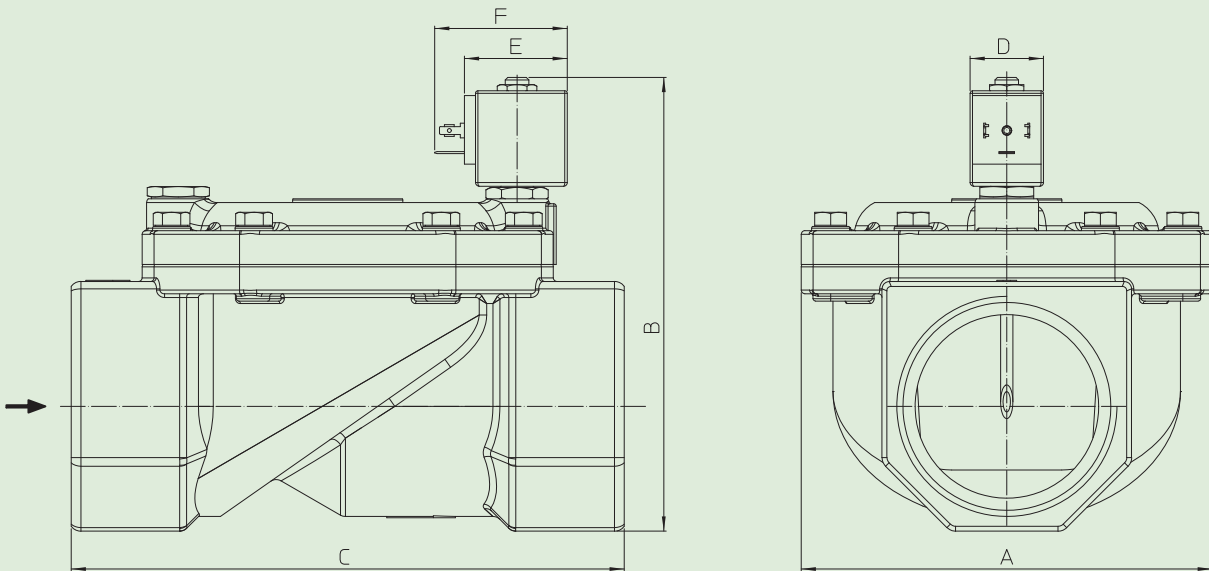
### FEATURES:

<b>Electrical conformity</b>	IEC 335
<b>Protection degree</b>	IP 65 EN 60529 (DIN 40050) with coil fitted by connector.



- |  |   |
|--|---|
| <b>1. Coil:</b><br>See coils list  | <b>6. Complete diaphragm:</b><br>Code R453503/B |
| <b>2. Complete plunger:</b><br>Code R453494/B  | <b>KIT:</b><br>KT130KB30-FC=2+3+4               |
| <b>3. Complete armature tube:</b><br>Code R453502  | <b>MAINTENANCE KIT:</b><br>KTG0W8KB65=2+6       |
| <b>4. Gasket O-Ring:</b><br>Code R990000/B   |   |
| <b>5. Nozzle:</b><br>Ø 0,8 Cod. R453535/08<br>Ø 1,2 Cod. R453535/12<br>Ø 1,5 Cod. R453535/15 |   |

### DIMENSIONS:



Type	Pipe	A mm	B mm	C mm
21WN10KB650	G 2 1/2	168	187	226
21WN11KB750	G 3			

COIL TYPE	POWER ABSORPTION			DIMENSIONS		
	W =	Hold VA ~	Inrush VA ~	D mm	E mm	F mm
B	8	14,5	25	30	42	54