



Solenoid valve 2/2 way N.O. Combined operation

21IN3Z1V150-IH

÷

21IN5Z1V200-IH

PRESENTATION:

Combined operation S.V. for interception of fluids compatible with the construction materials.

Minimum operational pressure is not required.

The materials used and the tests carried out ensure maximum reliability and duration.

USE: Automation - Heating - Chemistry

PIPES: 3/8 NPT - 3/4 NPT

COIL: 8W - Ø 13
 BDA 155°C (classe F)
 BDV 180°C (classe H)

COIL HOUSING AND COIL FORMER MATERIAL ARE MADE BY 100% VIRGIN MATERIAL

Max. allowable pressure (PS) 16 bar

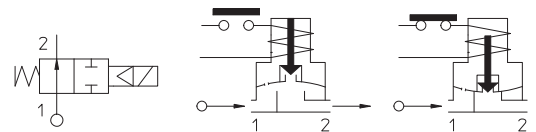
Ambient temperature:

See coils catalogue page for its compatibility.



Gaskets	Temperature		Medium
V =FKM+ PA (fluorelastomer+poliamide)	- 10°C	+140°C	Mineral oils (2°E), gasoline gas oil
B =NBR + PA (nitrile +poliamide)	- 10°C	+ 90°C	Air, gasolin, fuel oils, inert gas,

For seals other than FKM+PA replace the letter "V" with the ones corresponding to the other seals. E.I. 21IN3Z1**B**150-IH.



Pipe ANSI/ASME BI.20.1	Code	Max viscosity		Ø mm	Kv l/mn	Power watt	Pressure		
		cSt	°E				min bar	M.O.P.D.	
								AC bar	DC bar
3/8 NPT	21IN3Z1V150-IH	12	~ 2	15	30	8	0	10	10
1/2 NPT	21IN4Z1V160-IH			16	40				
3/4 NPT	21IN5Z1V200-IH			20	50				

Note

Available on request and with minimum quantities.

The "ODE" reserves the right to carry out technical and aesthetic modifications without prior notice.

MATERIALS:

Body	Stainless steel AISI 316
Armature tube	Stainless steel AISI series 300
Fixed core	Stainless steel AISI series 400
Plunger	Stainless steel AISI series 400
Phase displacement ring	Gold plated copper
Spring	Stainless steel AISI series 300
Seal	Standard: V=FKM+PA On request: B=NBR+PA
Orificie	Stainless steel AISI 316

On request:

Connector	Pg 9 o Pg 11
Connector conformity	ISO 4400

FEATURES:

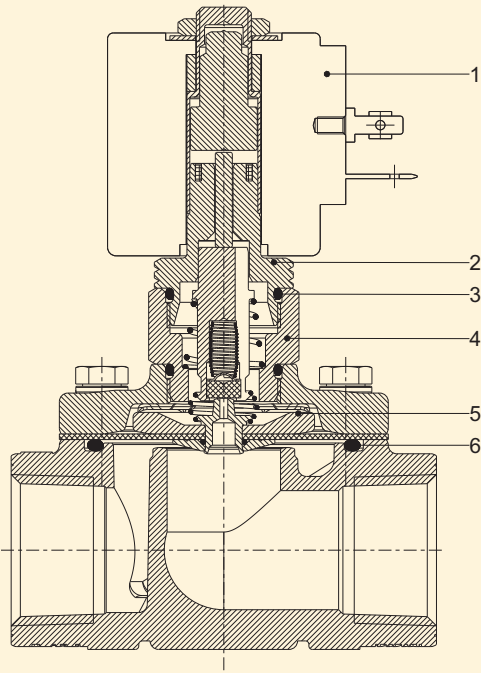
Electrical conformity	IEC 335
Protection degree	IP 65 EN 60529 (DIN 40050) with coil fitted by connector.

SPARE PARTS:

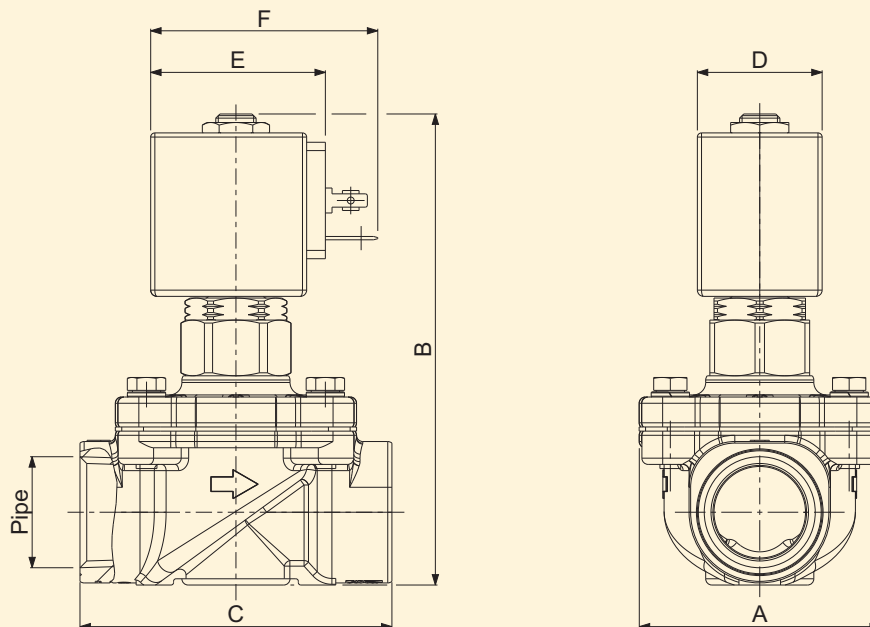
1. Coil:	3/8 NPT÷1/2 NPT Code R453317/V
See coils list	3/4 NPT Code R453320/V
2. Complete armature tube without gasket:	3/8 NPT÷1/2 NPT Code R990105/V
Code R453459/D	3/4 NPT Code R992103/V
3. Gasket O-Ring:	
Code R990000/V	
4. Complete nut with gasket O-Ring:	
Code R453321/V	
5. Complete diaphragm with spring:	
	MAINTENANCE KIT:
	3/8 NPT ÷ 1/2 NPT
	KTGIH3Z1V15=5+6
	3/4 NPT
	KTGIH5Z1V20=5+6

MAINTENANCE KIT:

3/8 NPT ÷ 1/2 NPT
KTGIH3Z1V15=5+6
3/4 NPT
KTGIH5Z1V20=5+6



DIMENSIONS:



Type	Pipe ANSI/ASME Bl.20.1	A mm	B mm	C mm
21IN3Z1V150-IH	3/8 NPT	52	106	68
21IN4Z1V160-IH	1/2 NPT			
21IN5Z1V200-IH	3/4 NPT	58	114	75

COIL TYPE	POWER ABSORPTION			DIMENSIONS			
	W ---	Hold VA ~	Inrush VA ~	D mm	E mm	F mm	G mm
B	8	14,5	25	30	42	54	76