



Solenoid valve 2/2 way N.C. Combined operation

21IN2K1V110-IH
÷
21IN8K1V400-IHS

PRESENTATION:

Combined operation S.V. for interception of fluids compatible with the construction materials.
Minimum operational pressure is not required.
The materials used and the tests carried out ensure maximum reliability and duration.

USE: Automation - Heating - Chemistry

PIPES: 1/4 NPT - 1 1/2 NPT

COILS:

8W - Ø 13	
BDA - BSA	155°C (class F)
BDV	180°C (class H)
12W - Ø 13	
UDA	155°C (class F)
14W - Ø 13	
GDA - GDS	155°C (class F)
GDH - GDV	180°C (class H)

COIL HOUSING AND COIL FORMER MATERIAL ARE MADE BY 100% VIRGIN MATERIAL.

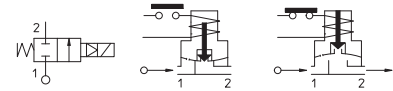
Max. allowable pressure (PS) 16 bar

Ambient temperature:

See coils catalogue page for its compatibility.



CE Approval
(Pressure Equipment Directive 2014/68/EU)
for S.V. 21IN7÷21IN8..-IHS



Gaskets	Temperature	Medium
V =FKM +PA (fluoroelastomer+polyamide)	- 10°C +140°C	Mineral oils (2°E),gasoline gas oil
B = NBR + PA (nitrile rubber+polyamide)	- 10°C + 90°C	Air, inert gas, water

For seals other than FKM replace the letter "V" with the ones corresponding to the other seals. E.I. 21IN3K1**B**150-IH.

Pipe ANSI/ASME BI.20.1	Code	Max viscosity		Ø mm	Kv l/mn	Power watt	Pressure		
		cSt	°E				min bar	M.O.P.D. AC bar DC bar	
1/4 NPT	21IN2K1V110-IH	12	~ 2	11	20	8	0	14	6
						12		-	14
3/8 NPT	21IN3K1V150-IH	12	~ 2	15	40	8	0	14	6
						12		-	14
1/2 NPT	21IN4K1V160-IH	12	~ 2	16	50	8	0	14	6
						12		-	14
3/4 NPT	21IN5K1V200-IH	12	~ 2	20	60	8	0	14	6
						12		-	14
1 NPT	21IN6K1V250-IH	12	~ 2	25	140	8	0	14	3
						12		-	8
1 1/4 NPT	21IN7K1V350-IH	12	~ 2	35	300	8	0	8	-
						12		-	14
1 1/4 NPT	21IN7K1V350-IHS	12	~ 2	35	250	8	0	-	2
						12		-	1
1 1/2 NPT	21IN8K1V400-IH	12	~ 2	40	320	8	0	8	-
						12		-	14
1 1/2 NPT	21IN8K1V400-IHS	12	~ 2	40	250	8	0	14	-
						12		-	2
1 1/2 NPT	21IN8K1V400-IHS	12	~ 2	40	250	8	0	-	1
						12		-	4
1 1/2 NPT	21IN8K1V400-IHS	12	~ 2	40	250	14	0	-	7
						14		-	7

The "ODE" reserves the right to carry out technical and aesthetic modifications without prior notice.

MATERIALS:

Body Stainless steel AISI 316
Armature tube Stainless steel AISI 316
Fixed core Stainless steel AISI series 400
Plunger Stainless steel AISI series 400
Phase displacement ring Gold plated copper
Spring Stainless steel AISI series 300
Seal Standard: V=FKM+PA
 On request: B=NBR+PA
Orificie Stainless steel AISI 316

On request:
Connector Pg 9 o Pg 11
Connector conformity ISO 4400

FEATURES:

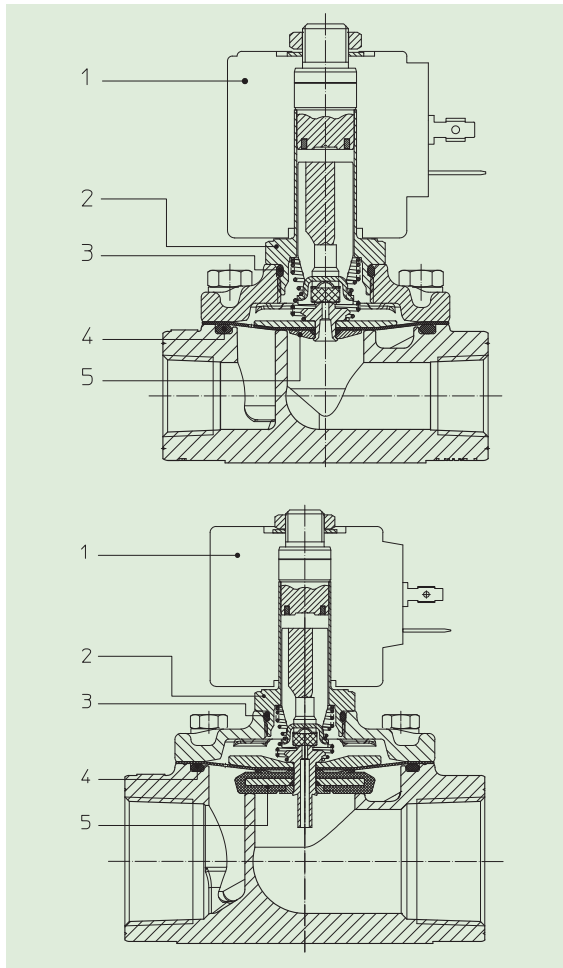
Electrical conformity IEC 335
Protection degree IP 65 EN 60529 (DIN 40050)
 with coil fitted by connector.

SPARE PARTS:

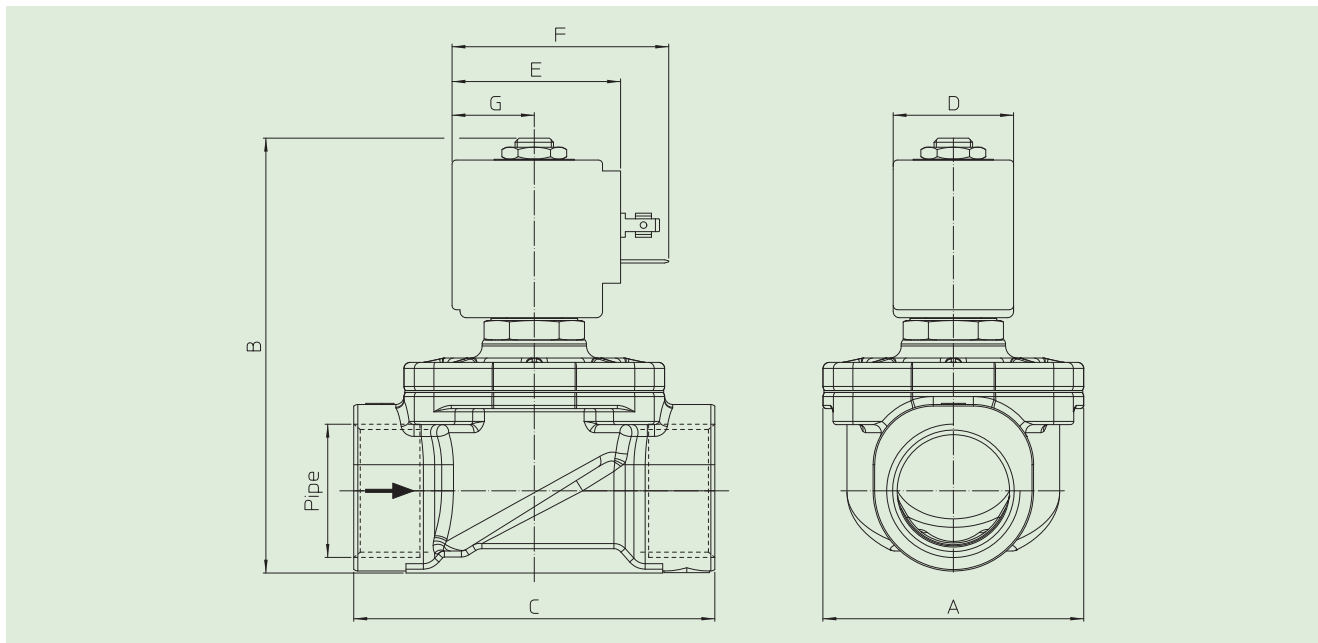
- 1. **Coil:** 3/4 NPT Code R452899/V
 See coils list 1 NPT Code R452846/V
- 2. **Complete plunger:** 1 1/4+1 1/2 NPT Code R452904/V
 Code R450811
- 3. **Gasket O-Ring:** Code R990000/V
- 4. **Gasket O-Ring:** Code R990105/V
 1/4+1/2 NPT Code R992103/V
 3/4 NPT Code R992109/V
 1 NPT Code R992101/V
 1 1/4+1 1/2 NPT Code R992101/V
- 5. **Complete diaphragm with plunger:** Code R452894/V

MAINTENANCE KIT:

- 1/4 ÷ 1/2 NPT
 KTGIH3K1V15=4+5
 3/4 NPT
 KTGIH5K1V20=4+5
 1 NPT
 KTGIH6K1V25=4+5
 1 1/4 ÷ 1 1/2 NPT
 KTGIH7K1V35=4+5



DIMENSIONS:



Type	Pipe	A mm	B mm	C mm
211N2K1V110-IH	1/4 NPT	52	87	56
211N3K1V150-IH	3/8 NPT		92	68
211N4K1V160-IH	1/2 NPT		100	75
211N5K1V200-IH	3/4 NPT	65	109	90
211N6K1V250-IH	1 NPT	94	126	128
211N7K1V350-IH	1 1/4 NPT			
211N7K1V350-IHS				
211N8K1V400-IH				
211N8K1V400-IHS	1 1/2 NPT			

COIL TYPE	POWER ABSORPTION			DIMENSIONS			
	W ==	Hold VA ~	Inrush VA ~	D mm	E mm	F mm	G mm
B	8	14,5	25	30	42	54	20,5
U	12	23	35	36	48	60	23,5
G	14	27	43	52	55	67	25