



# Solenoid valve 2/2 way N.C. Combined operation

21HN7K0V350-HF

÷

21HN8K0V400-HF

## PRESENTATION:

Combined operation S.V. for interception of fluids compatible with the construction materials.

Minimum operational pressure is not required.

The materials used and the tests carried out ensure maximum reliability and duration.

**USE:** Automation, Heating

**PIPE:** 1 1/4 NPT - 1 1/2 NPT

**COILS:**

8W - Ø 13	
BDA - BSA	155°C (class F)
BDV	180°C (class H)
12W - Ø 13	
UDA	155°C (class F)
14W - Ø 13	
GDH - GDV	180°C (class H)

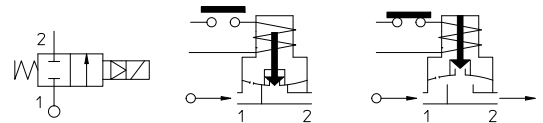
Max. allowable pressure (PS) 16 bar

Ambient temperature:

See coils catalogue page for its compatibility.

Gaskets	Temperature		Medium
	- 10°C	+ 90°C	
<b>B</b> =NBR (nitrile rubber)	- 10°C	+ 90°C	Air, inert gas, water
<b>E</b> =EPDM (ethylene-propylene)	- 10°C	+ 140°C	Water, steam
<b>V</b> =FKM (fluoroelastomer)	- 10°C	+140°C	Mineral oils (2°E), gasoline gas oil

For seals other than FKM replace the letter "V" with the ones corresponding to the other seals. E.I. 21HN7K0**B**350-HF.



Pipe ANSI/ASME Bl.20.1	Code	Max viscosity		Ø mm	Kv l/mn	Power watt	Pressure		
		cSt	°E				min bar	M.O.P.D.	
								AC bar	DC bar
1 1/4 NPT	21HN7K0V350-HF	12	~ 2	35	270	8	0	16	-
						12			-
						14			6
1 1/2 NPT	21HN8K0V400-HF	12	~ 2	40	280	8	0	16	-
						12			-
						14			6



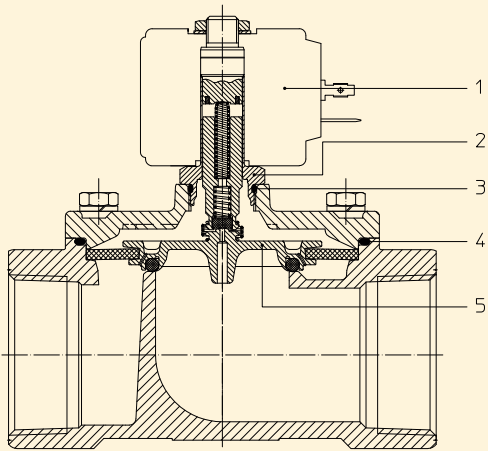
**CE Approval**

(Pressure Equipment Directive 2014/68/EU)  
for S.V. 21HN7..-HF÷21HN8..-HF

### Note

Available on request and with minimum quantities.

The "ODE" reserves the right to carry out technical and aesthetic modifications without prior notice.



**MATERIALS:**

**Body** Brass - UNI EN 12165 CW617N  
**Armature tube** Stainless steel AISI series 300  
**Fixed core** Stainless steel AISI series 400  
**Plunger** Stainless steel AISI series 400  
**Phase displacement ring** Copper - Cu 99,9%  
**Spring** Stainless steel AISI series 300  
**Seal** Standard: V=FKM  
 On request: E=EPDM B=NBR  
**Orifice** Brass - UNI EN 12165 CW617N

**On request:**  
**Connector** Pg 9 o Pg 11  
**Connector conformity** ISO 4400

**FEATURES:**

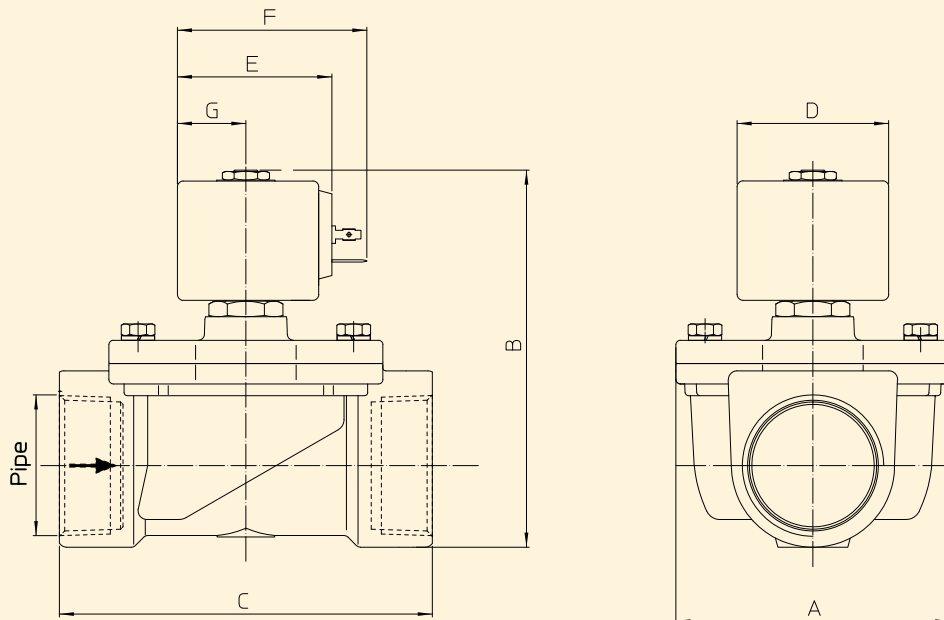
**Electrical conformity** IEC 335  
**Protection degree** IP 65 EN 60529 (DIN 40050)  
 with coil fitted by connector.

**SPARE PARTS:**

1. **Coil:**  
Se coil list
2. **Complete armature tube:**  
Code R450603
3. **Gasket O-Ring:**  
Code R990000/VX
4. **Gasket O-Ring:**  
Code R992061/V
5. **Completediaphragm with plunger:**  
Code R452395/V

**MAINTENANCE KIT:**  
 KTGHF7K0V35=4+5

**DIMENSIONS:**



Type	Pipe	A mm	B mm	C mm
21HN7K0V350-HF	1 1/4 NPT	94	130	128
21HN8K0V400-HF	1 1/2 NPT			

COIL TYPE	POWER ABSORPTION			DIMENSIONS		
	W ==	Hold VA ~	Inrush VA ~	D mm	E mm	F mm
B	8	14,5	25	30	42	54
U	12	23	35	36	48	60
G	14	27	43	52	55	67