



Solenoid valve 2/2 way N.O. Combined operation

21HN2Z0Y110-HT
÷
21HN5Z0Y160-HT

PRESENTATION:

Combined operation S.V. for interception of fluids compatibles with the construction materials.
Minimum operational pressure is not required.
The materials used and the tests carried out ensure maximum reliability and duration.

USE: Automation, Vacuum packaging
Heating

PIPES: 1/4 NPT - 3/4 NPT

COILS: 8W - Ø 13
BDA 155°C (class F)
BDV 180°C (class H)

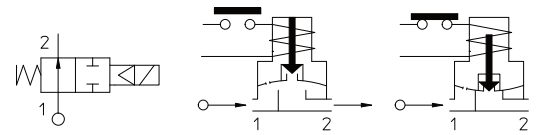
COIL HOUSING AND COIL FORMER MATERIAL ARE MADE BY 100% VIRGIN MATERIAL.

Max. allowable pressure (PS) 16 bar
Environment temperature:
See coils catalogue page for its compatibility.



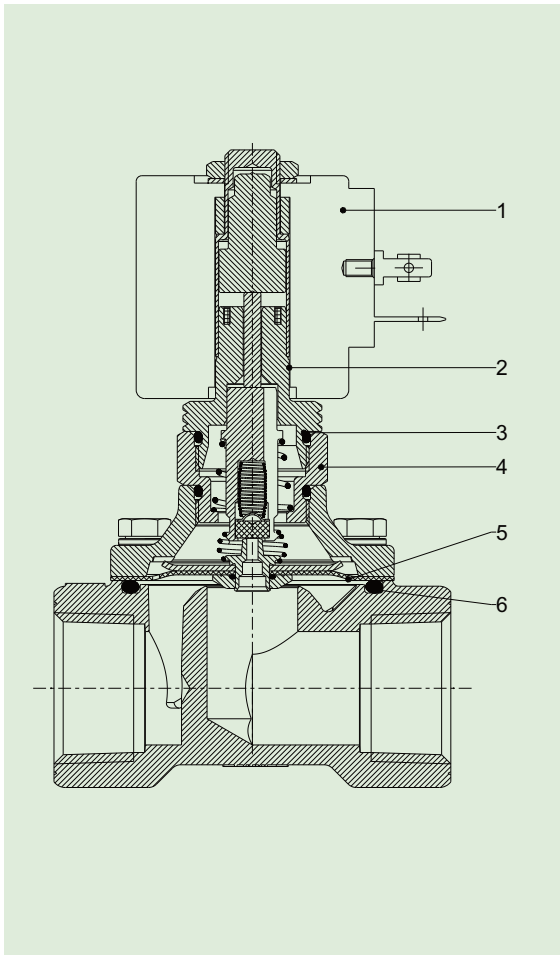
Gaskets	Temperature		Medium
Y=NBR (nitrile rubber) + PA (polyamide)	- 10°C	+ 90°C	Air, gasolin, fuel oils, inert gas, water
V=FKM (fluoroelastomer) + PA (polyamide)	- 10°C	+140°C	Mineral oils (2°E), gasoline gas oil

For seals other than NBR+PA replace the letter "Y" with the ones corresponding to the other seals. E.I. 21HN3Z0V110-HT.



Pipe ISO 228/1	Code	Max viscosity		Ø mm	Kv l/mn	Power watt	Pressure		
		cSt	°E				min bar	M.O.P.D. AC bar DC bar	
1/4 NPT	21HN2Z0Y110-HT	12	~ 2	11	20	8	0	10	10
3/8 NPT	21HN3Z0Y110-HT			16	40				
1/2 NPT	21HN4Z0Y160-HT								
3/4 NPT	21HN5Z0Y160-HT								

The "ODE " reserves the right to carry out technical and aesthetic modifications without prior notice.



MATERIALS:

Body	Brass - UNI EN 12165 CW617N
Armature tube	Stainless steel AISI series 300
Fixed core	Stainless steel AISI series 400
Plunger	Stainless steel AISI series 400
Phase displacement ring	Copper - Cu 99,9%
Spring	Stainless steel AISI series 300
Seal	Standard: Y=NBR+PA On request: V=FKM+PA
Orifice	Brass - UNI EN 12165 CW617N

On request:

Connector	Pg 9 or Pg 11
Connector conformity	ISO 4400

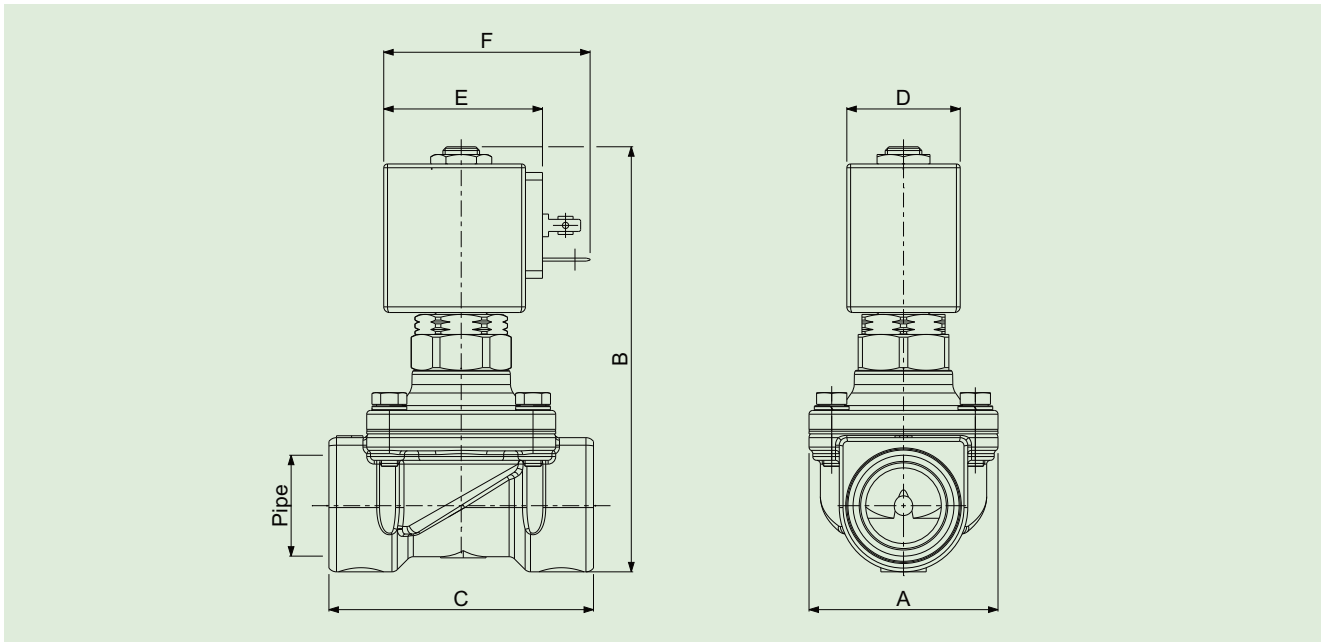
CARATTERISTICHE:

Electrical conformity	IEC 335
Protection degree	IP 65 EN 60529 (DIN 40050) with coil fitted by connector.

SPARE PARTS:

- | | |
|--|---|
| 1. Coil:
See coils list | 6. Gasket O-Ring :
Code R990105/B |
| 2. Complete armature tube without gasket:
Code R453459 | MAINTENANCE KIT:
1/4 ÷ 3/8 NPT
KTGHT3Z0Y11=5+6 |
| 3. Gasket O-Ring:
Code R990000/B | 1/2 ÷ 3/4 NPT
KTGHT4Z0Y16=5+6 |
| 4. Complete nut with gasket O-Ring:
Code R452863/B | |
| 5. Complete diaphragm with spring :
1/4÷3/8 NPT Cod. R452862/B
1/2÷3/4 NPT Cod. R452879/B | |

DIMENSIONS:



Type	Pipe	A mm	B mm	C mm
21HN2Z0Y110-HT	1/4 NPT	50	101	56
21HN3Z0Y110-HT	3/8 NPT			
21HN4Z0Y160-HT	1/2 NPT		112	
21HN5Z0Y160-HT	3/4 NPT			

COIL TYPE	POWER ABSORPTION			DIMENSIONS		
	W ==	Hold VA ~	Inrush VA ~	D mm	E mm	F mm
B	8	14,5	25	30	42	54