



Solenoid valve 2/2 way N.C. With pilot control

21EN2K0B105

÷

21EN4K0B105

PRESENTATION:

S.V. with pilot control for interception of fluids compatible with the construction materials.

A minimum operational pressure of 0,1 bar is required.

The materials used and the tests carried out ensure maximum reliability and duration.

USE: Automation
Heating

PIPES 1/4 NPT - 1/2 NPT

COILS:

8W - Ø 13	
BDA - BSA	155°C (class F)
BDV	180°C (class H)
12W - Ø 13	
UDA	155°C (class F)
14W - Ø 13	
GDH - GDV	180°C (class H)

COIL HOUSING AND COIL FORMER MATERIAL ARE MADE BY 100% VIRGIN MATERIAL.

Max. allowable pressure (PS) 20 bar

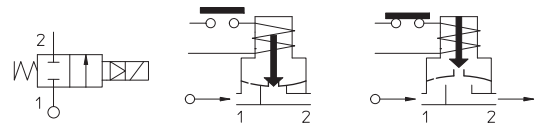
Ambient temperature:

See coils catalogue page for its compatibility.



Gaskets	Temperature		Medium
	- 10°C	+ 90°C	
B=NBR (nitrile rubber)	- 10°C	+ 90°C	Air, inert gas, water
V=FKM (fluoroelastomer)	- 10°C	+140°C	Mineral oils (2°E), gasoline gas oil

For seals other than NBR replace the letter "B" with the ones corresponding to the other seals. E.I. 21EN2K0V105.



Raccordo ANSI/ASME BI.20.1	Code	Max viscosity		Ø mm	Kv l/mn	Power watt	Pressure		
		cSt	°E				min bar	M.O.P.D.	
								AC bar	DC bar
1/4 NPT	21EN2K0B105	12	~ 2	10,5	20	0,1	20	10	
								20	
								10	
3/8 NPT	21EN3K0B105	12	~ 2	10,5	25	0,1	20	10	
								20	
								20	
1/2 NPT	21EN4K0B105	12	~ 2	10,5	25	0,1	20	10	
								20	
								20	

Note

Available on request and with minimum quantities.

The "ODE" reserves the right to carry out technical and aesthetic modifications without prior notice.

MATERIALS:

Body Brass - UNI EN 12165 CW617N
Armature tube Stainless steel AISI series 300
Fixed core Stainless steel AISI series 400
Plunger Stainless steel AISI series 400
Phase displacement ring Copper - Cu 99,9%
Spring Stainless steel AISI series 300
Seal Standard: B=NBR
 On request: V=FKM
Orifice Brass - UNI EN 12165 CW617N

On request: Pg 9 or Pg 11
Connector ISO 4400
Connector conformity

FEATURES:

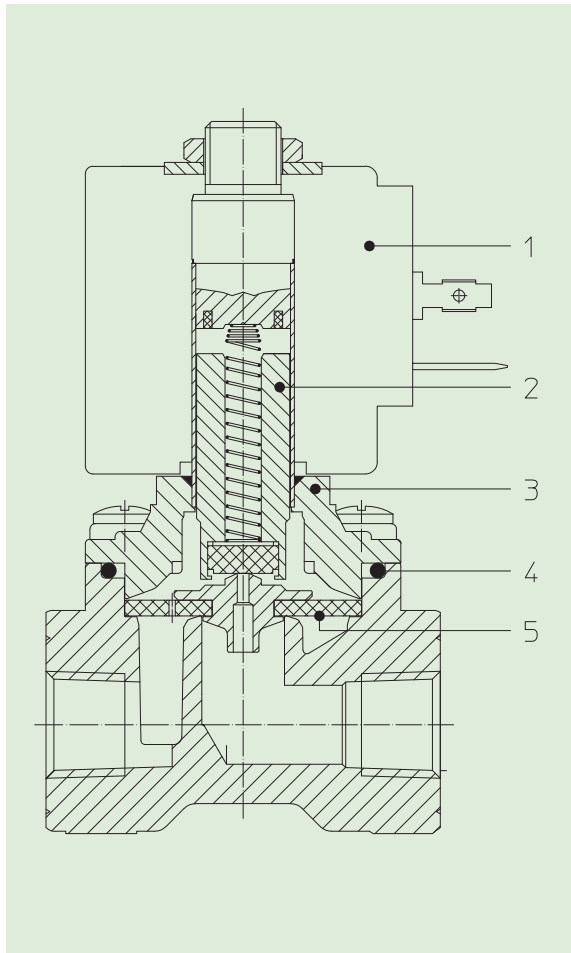
Electrical conformity IEC 335
Protection degree IP 65 EN 60529 (DIN 40050)
 with coil fitted by connector.

SPARE PARTS:

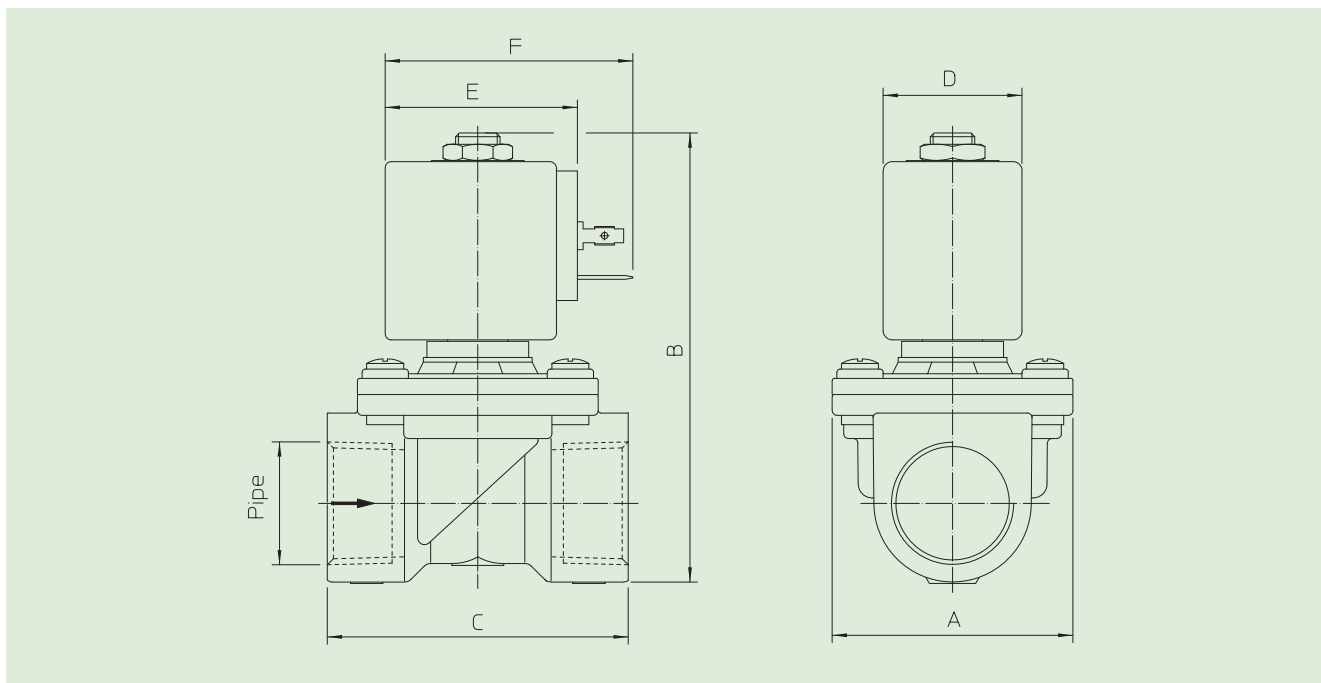
1. **Coil:**
See coils list
2. **Complete plunger:**
Code R451284/B
3. **Complete cover with armature tube without gasket:**
Code R450671
4. **Gasket O-Ring:**
Code 990302/BS
5. **Complete diaphragm:**
Code R452385/B

MAINTENANCE KIT:

KTGEN2K0B10=2+4+5



DIMENSIONS:



Type	Pipe	A mm	B mm	C mm
21EN2K0B105	1/4 NPT	40	90	50
21EN3K0B105	3/8 NPT			72
21EN4K0B105	1/2 NPT			

COIL TYPE	POWER ABSORPTION			DIMENSIONS		
	W ==	Hold VA ~	Inrush VA ~	D mm	E mm	F mm
B	8	14,5	25	30	42	54
U	12	23	35	36	48	60
G	14	27	43	52	55	67