



Solenoid valve 2/2 way N.C. Direct acting - NSF Certified

21AP1K1V15-T0
÷
21AP1K1V30-T0

PRESENTATION:

Direct acting S.V. for interception of fluids compatible with the construction materials.

Minimum operational pressure is not required.

The materials used and the tests carried out ensure maximum reliability and duration.

USE: Vending

PIPES: G 1/8

COIL:

| | |
|------------|-----------------|
| 8W - Ø 13 | |
| BDA - BSA | 155°C (class F) |
| BDV | 180°C (class H) |
| 12W - Ø 13 | |
| UDA | 155°C (class F) |
| UDV | 180°C (class H) |

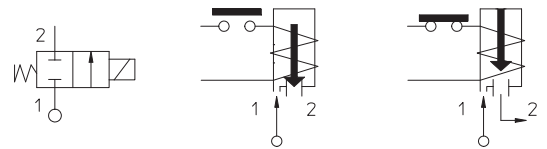
COIL HOUSING AND COIL FORMER MATERIAL ARE MADE BY 100% VIRGIN MATERIAL.

Ambient temperature:

See coils catalogue page for its compatibility.



| Gaskets | Temperature | | Medium |
|-------------------------|-------------|--------|-------------------|
| V=FKM (fluoroelastomer) | - 10°C | +140°C | Water, air, steam |



Max allowable pressure (PS) 16 bar - According to EN 60730-2-8 - Factor of safety for domestic applications equal to 5 times PS

| Pipe ISO 228/1 | Code | Max viscosity | | Ø mm | Kv l/mn | Power watt | Pressure | | |
|-------------------|---------------|---------------|-----|---------|------------|---------------|------------|---------------------------|----|
| | | cSt | °E | | | | min bar | M.O.P.D. AC bar DC bar | |
| G 1/8 | 21AP1K1V15-T0 | 12 | ~ 2 | 1,5 | 1,1 | 8 | 0 | 16 | 16 |
| | 21AP1K1V20-T0 | 37 | ~ 5 | 2 | 1,8 | | | 14 | 9 |
| | 21AP1K1V25-T0 | 53 | ~ 7 | 2,5 | 2,5 | 12 | | 16 | 16 |
| | | | | | | 8 | | 10 | 6 |
| | 21AP1K1V30-T0 | 3 | 3,4 | 3 | 3,4 | 12 | | 16 | 16 |

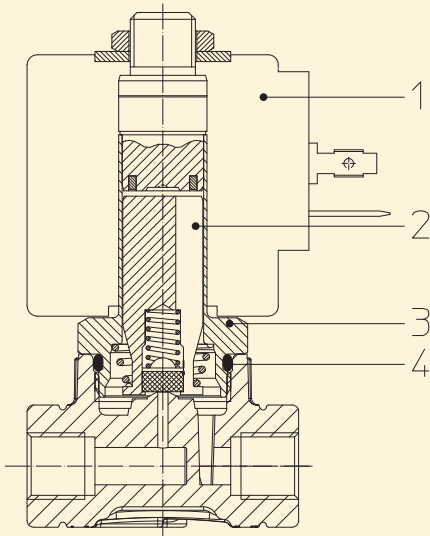
Max allowable pressure (PS) 25 bar - Safety factor for industrial application equal to 3 times PS | Please consult our Technical Service.



Note

Max torque for fittings 1,5 Nm, coil nut assembly 2 Nm max; armature tube 10 Nm | Evaluate tightening torque for tapered fittings | Use the seal fittings compatible with the material of the body | Available with coil Ex nA | The use of rigid sealings (Ruby or PTFE) usually implies a slight leakage, limited within 2scc/min at the pressure of 1 bar | For application with steam or with PS above the 16 bar, please consult our Technical Service|Available on request and with minimum quantities.

The "ODE" reserves the right to carry out technical and aesthetic modifications without prior notice.



MATERIALS:

| | |
|--------------------------------|---------------------------------|
| Body | PPS |
| Armature tube | Stainless steel AISI series 300 |
| Fixed core | Stainless steel AISI series 400 |
| Plunger | Stainless steel AISI series 400 |
| Phase displacement ring | Gold plated copper |
| Spring | Stainless steel AISI series 300 |
| Seal | V=FKM |
| Orifice | PPS |

On request:

| | |
|-----------------------------|---------------|
| Connector | Pg 9 or Pg 11 |
| Connector conformity | ISO 4400 |

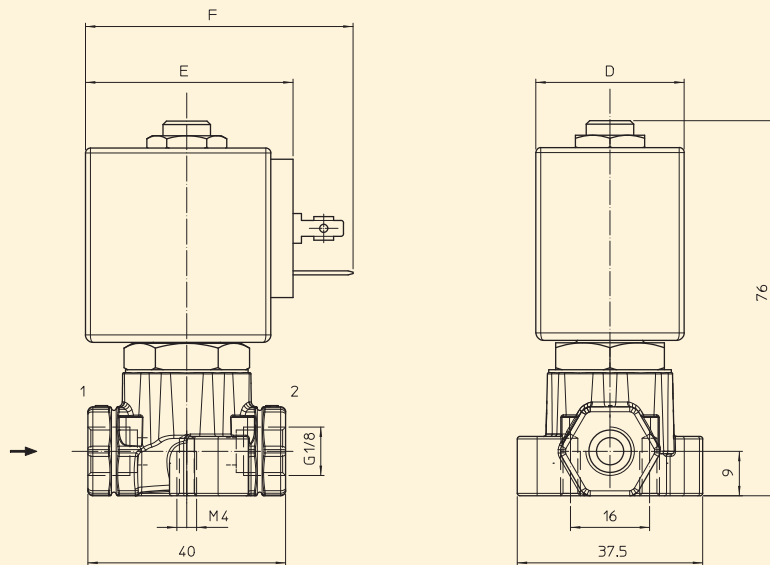
FEATURES:

| | |
|------------------------------|--|
| Electrical conformity | IEC 335 |
| Protection degree | IP 65 EN 60529 (DIN 40050) with coil fitted by connector. |

SPARE PARTS:

- 1. Coil:**
See coils list
- 2. Complete plunger:**
Code R450886/VX
- 3. Complete armature tube:**
Code R450603/D
- 4. Gasket O-Ring:**
Code R990000/VX

DIMENSIONS:



| COIL TYPE | POWER ABSORPTION | | | DIMENSIONS | | |
|-----------|------------------|--------------|----------------|------------|---------|---------|
| | W = | Hold VA ~ | Inrush VA ~ | D mm | E mm | F mm |
| B | 8 | 14,5 | 25 | 30 | 42 | 54 |
| U | 12 | 23 | 35 | 36 | 48 | 60 |