



Solenoid valve 2/2 way N.O. Direct acting

21A5ZV45D
÷
21A8ZV55G

PRESENTATION:

Direct acting S.V. for interception of fluids compatible with the construction materials.

Minimum operational pressure is not required.

The materials used and the tests carried out ensure maximum reliability and duration.

USE: Automation
Heating

PIPES: G 3/8 - G 1/2

COILS:

8W - Ø 13	
BDA - BSA	155°C (class F)
BDV	180°C (class H)
12W - Ø 13	
UDA	155°C (class F)
14W - Ø 13	
GDH - GDV	180°C (class H)

COIL HOUSING AND COIL FORMER MATERIAL ARE MADE BY 100% VIRGIN MATERIAL.

Max. allowable pressure (PS) 40 bar

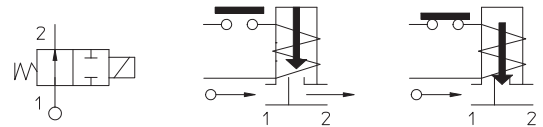
Ambient temperature:

See coils catalogue page for its compatibility.



Gaskets	Temperature		Medium
V=FKM (fluoroelastomer)	- 10°C	+140°C	Mineral oils (2°E), gasoline gas oil, fuel oils (7°E)
B=NBR (nitrile rubber)	- 10°C	+ 90°C	Air, inert gas, water

For seals other than FKM replace the letter "V" with the ones corresponding to the other seals. E.I. 21A5ZB45D.



Pipe ISO 228/1	Code	Max viscosity		Ø mm	Kv l/mn	Power watt	Pressure						
		cSt	°E				min bar	M.O.P.D. AC bar DC bar					
G 3/8	21A5ZV45D	53	~ 7	4,5	6,5	8	0	4	4				
	21A5ZV45G					12		6	-				
	21A5ZV55D					14		6	6				
	21A5ZV55G					8		2,5	2,5				
G 1/2	21A5ZV55G			53	~ 7	5,5		9	12	0	3,5	-	
	21A8ZV45D								14		3,5	3,5	
	21A8ZV45G								8		4	4	
	21A8ZV55D								12		6	-	
	G 1/2	21A8ZV55G	53			~ 7	4,5	6,5	14		0	6	6
		21A8ZV45D							8			2,5	2,5
		21A8ZV45G							12			3,5	-
		21A8ZV55D							14			3,5	3,5

The "ODE" reserves the right to carry out technical and aesthetic modifications without prior notice.

MATERIALS::

Body	Brass - UNI EN 12165 CW617N
Armature tube	Stainless steel AISI series 400
Fixed core	Stainless steel AISI series 400
Plunger	Stainless steel AISI series 400
Phase displacement ring	Copper - Cu 99,9%
Spring	Stainless steel AISI series 300
Seal	Standard: V=FKM On request: B=NBR
Orifice	Brass - UNI EN 12165 CW617N

On request:

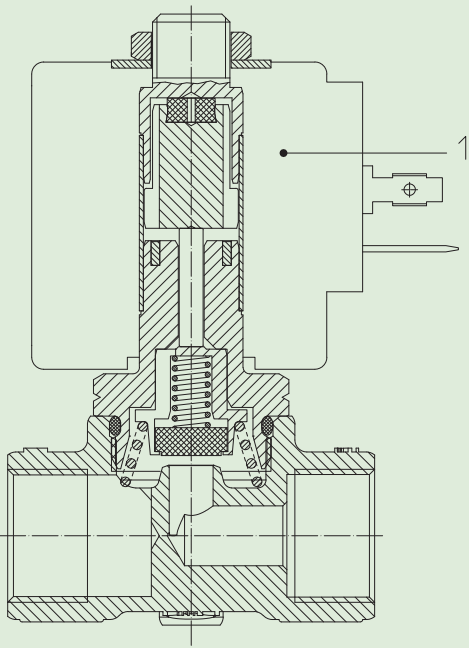
Connector	Pg 9 or Pg 11
Connector conformity	ISO 4400

FEATURES:

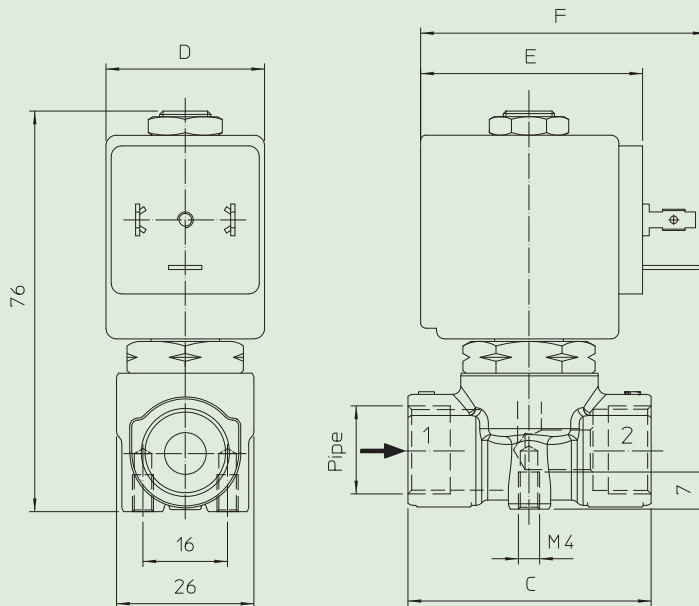
Electrical conformity	IEC 335
Protection degree	IP 65 EN 60529 (DIN 40050) with coil fitted by connector.

SPARE PARTS:

1. Coil:	See coils list	KIT:
		8W
2. Complete diaphragm support:	8W Code R450786/V	KT130ZV55-F=2+3+4
	12W - 14W	12W -14W
	Code R450786/V14	KT130ZV55-G=2+3+4
3. Complete armature tube without gasket:	Code R450573	
4. Gasket O-Ring:	Code R990000/V	



DIMENSIONS:



Type	Pipe ISO 228/1	C mm
21A5ZV	G 3/8	46
21A8ZV	G 1/2	58

COIL TYPE	POWER ABSORPTION			DIMENSIONS		
	W ==	Hold VA ~	Inrush VA ~	D mm	E mm	F mm
B	8	14,5	25	30	42	54
U	12	23	35	36	48	60
G	14	27	43	52	55	67