



# Solenoid valve 2/2 way N.C. Direct acting

21A5KV45

÷

21A8KV55

## PRESENTATION:

Direct acting S.V. for interception of fluids compatible with the construction materials.

Minimum operational pressure is not required.

The materials used and the tests carried out ensure maximum reliability and duration.

**USE:** Automation  
Heating

**PIPES:** G 3/8 - G 1/2

**COILS:** 8W - Ø 13  
BDA - BSA 155°C (class F)  
BDV 180°C (class H)  
12W - Ø 13  
UDA 155°C (class F)  
14W - Ø 13  
GDH - GDV 180°C (class H)  
(1) Explosion-proof housing for coils with electrical connections EN 175301-803 on request.



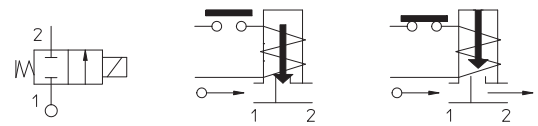
**COIL HOUSING AND COIL FORMER MATERIAL ARE MADE BY 100% VIRGIN MATERIAL.**

Max. allowable pressure (PS) 40 bar

Ambient temperature:

See coils catalogue page for its compatibility.

Gaskets	Temperature		Medium
	- 10°C	+140°C	
V=FKM (fluoroelastomer)	- 10°C	+140°C	Mineral oils (2°E), gasoline gas oil, fuel oils (7°E)
B=NBR (nitrile rubber)	- 10°C	+ 90°C	Air, inert gas, water



For seals other than FKM replace the letter "V" with the ones corresponding to the other seals. E.I. 21A5KB55.

Pipe ISO 228/1	Code	Max viscosity		Ø mm	Kv l/mn	Power watt	Pressure			
		cSt	°E				min bar	M.O.P.D.		
								AC bar	DC bar	
G 3/8	21A5KV45	53	~ 7	4,5	6,5	8	0	5	2	
								12	7	
								14	8	
	21A5KV55							8	3	1
								12	7	2,5
								14	10	5
G 1/2	21A8KV45	53	~ 7	4,5	6,5	8	0	5	2	
								12	7	
								14	8	
	21A8KV55							8	3	1
								12	7	2,5
								14	10	5

### MATERIALS:

<b>Body</b>	Brass - UNI EN 12165 CW617N
<b>Armature tube</b>	Stainless steel AISI series 300
<b>Fixed core</b>	Stainless steel AISI series 400
<b>Plunger</b>	Stainless steel AISI series 400
<b>Phase displacement ring</b>	Copper - Cu 99,9%
<b>Spring</b>	Stainless steel AISI series 300
<b>Seal</b>	Standard: V=FKM On request: B=NBR
<b>Orifice</b>	Brass - UNI EN 12165 CW617N

**On request:**  
**Connector** Pg 9 or Pg 11  
**Connector conformity** ISO 4400

### FEATURES:

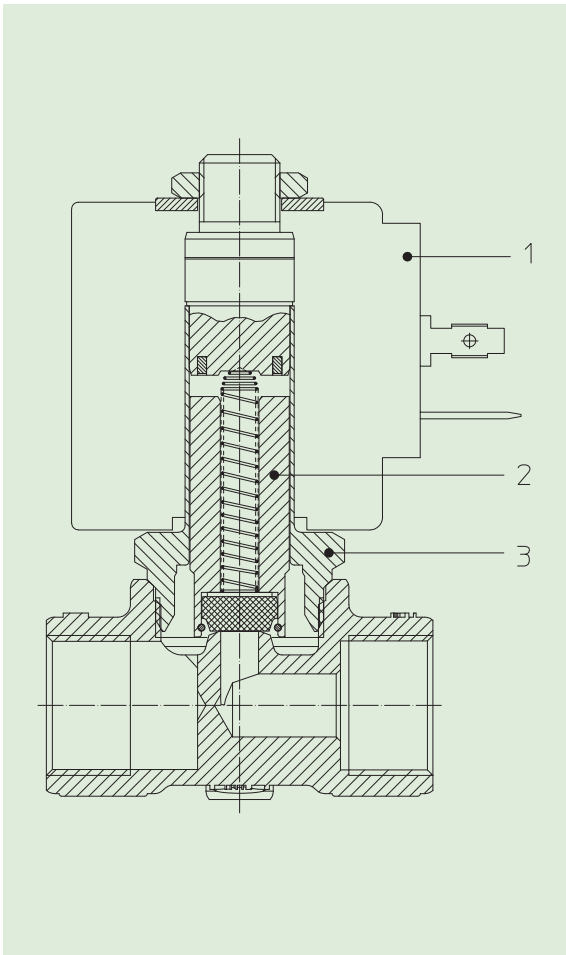
<b>Electrical conformity</b>	IEC 335
<b>Protection degree</b>	IP 65 EN 60529 (DIN 40050) with coil fitted by connector.

### SPARE PARTS:

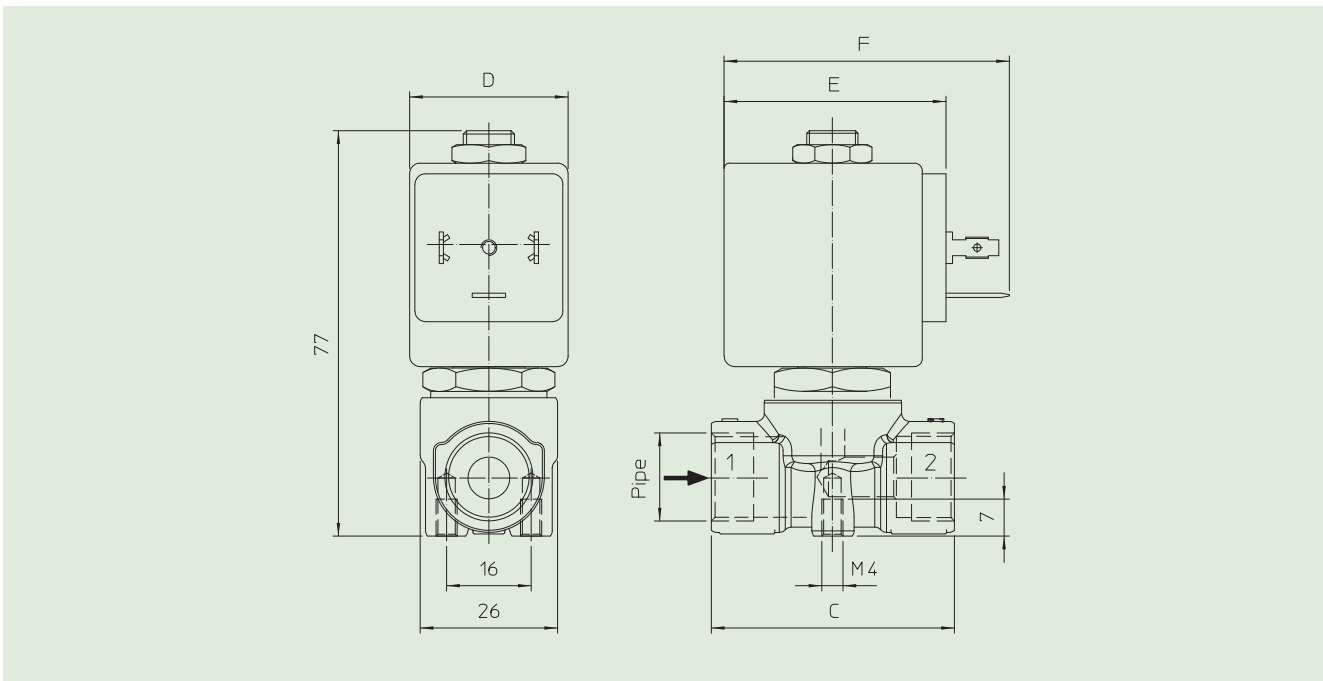
1. **Coil:**  
See coils list
2. **Complete plunger:**  
Code R450898/V
3. **Complete armature tube:**  
Code R450606

### KIT:

KT130KV55-A=2+3



### DIMENSIONS:



Type	Pipe ISO 228/1	C mm
21A5KV	G 3/8	46
21A8KV	G 1/2	58

COIL TYPE	POWER ABSORPTION			DIMENSIONS		
	W ==	Hold VA ~	Inrush VA ~	D mm	E mm	F mm
B	8	14,5	25	30	42	54
U	12	23	35	36	48	60
G	14	27	43	52	55	67