



Proportional solenoid valve 2/2 way N.C. - Direct acting

21A2KCV30-05

PRESENTATION:

Solenoid valve designed for a fluid output proportional to voltage change.
Minimum operational pressure is not required.
Mounting in any position.
Material used and tests carried out ensure reliability and long life time.

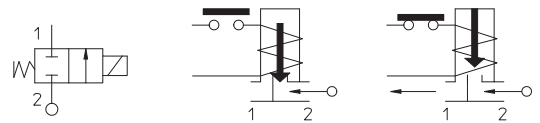
TECHNICAL FEATURES

Max. allowable pressure (PS) 40 bar
Ambient temperature:
See coils catalogue page for its compatibility.
Proportional response features:
Hysteresis < 5%
Repeatability < 3%
Sensitivity < 2%
Tensions range: 0-24 VDC
24 VDC impulse range modulation (600 ÷ 800 Hz),
(see general information:proportional S.V. operation).
These solenoid valves are not suitable for stagnating fluids, or for fluids that being subject to evaporation may deposit solid, calcareous or similar residues.



PIPES: G 1/4

COILS
8W - Ø 13
BDA - BSA 155°C (class F)
BDV 180°C (class H)
12W - Ø 13
UDA 155°C (class F)

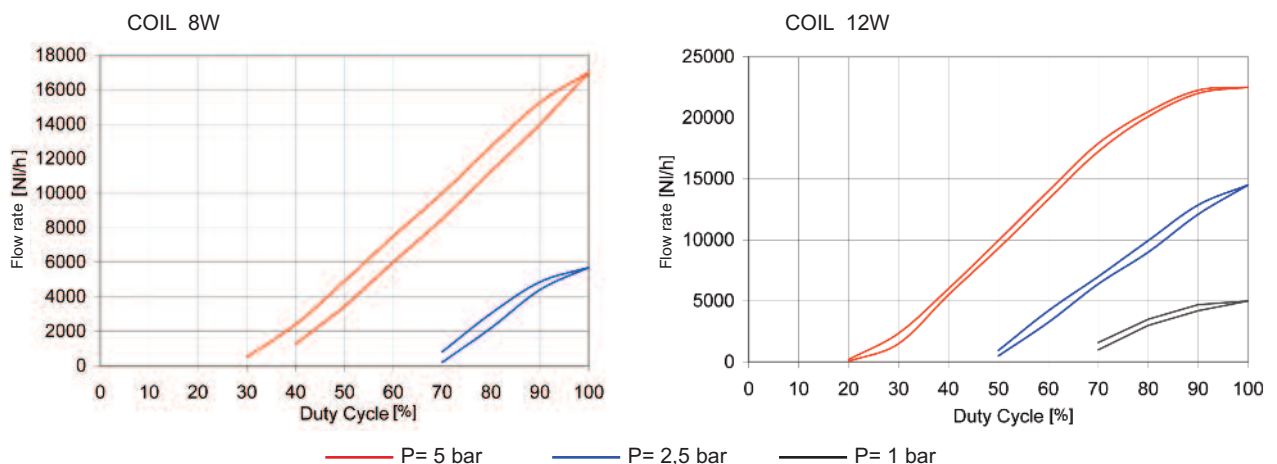


COIL HOUSING AND COIL FORMER MATERIAL ARE MADE BY 100% VIRGIN MATERIAL.

Gaskets	Temperature		Medium
V=FKM (fluoroelastomer)	- 10°C	+140°C	Water, inert gas, mineral oils (3°E), gasoline

Pipe ISO 228/1	Code	Max viscosity		Ø mm	Kv l/mn	Power watt	Pressure		
		cSt	°E				min bar	M.O.P.D. AC bar DC bar	
G 1/4	21A2KCV30-05	21	~ 3	3	4	8 12	0	-	5

SOLENOID VALVE CALIBRATED AT 5 bar - Flow rate in air



Note Also available with brass body without lead.

The "ODE" reserves the right to carry out technical and aesthetic modifications without prior notice.

MATERIALS:

Body	Brass - UNI EN 12165 CW617N
Armature tube	Stainless steel AISI series 300
Fixed core	Stainless steel AISI series 400
Plunger	Stainless steel AISI series 400
Spring	Stainless steel AISI series 300
Ring guide	PTFE
Orifice: Insert slot	Stainless steel AISI series 300
Seal	V=FKM
Gasket	V=FKM

On request:

Connector	Pg 9 or Pg 11
Connector conformity	ISO 4400

FEATURES:

Electrical conformity	IEC 335
Protection degree	IP 65 EN 60529 (DIN 40050) with coil fitted by connector.

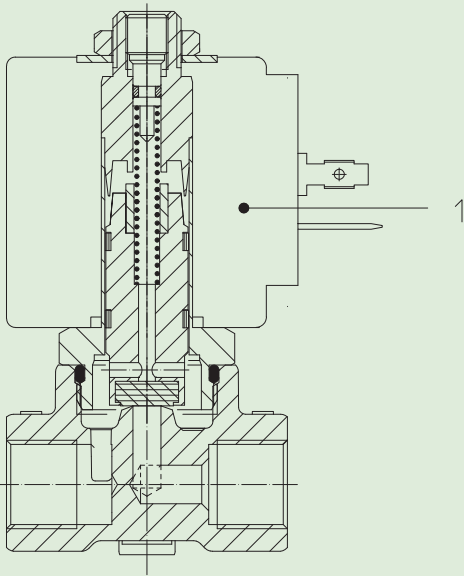
SPARE PARTS:

1. Coil:

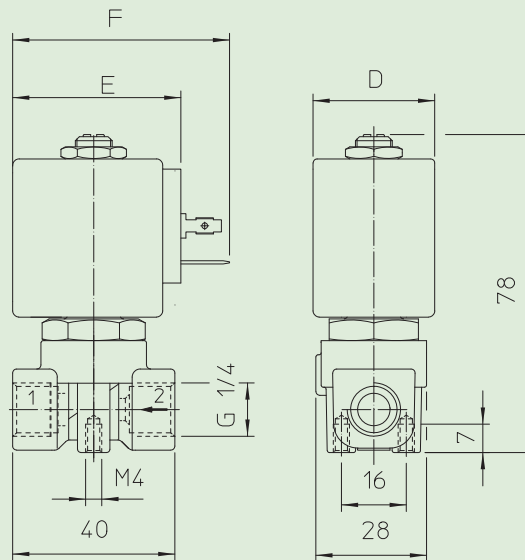
See coils list

KIT:

KT130KCV55-I



DIMENSIONS:



COIL TYPE	POWER ABSORPTION	DIMENSIONS		
	W ---	D mm	E mm	F mm
B	8	30	42	54
U	12	36	48	60