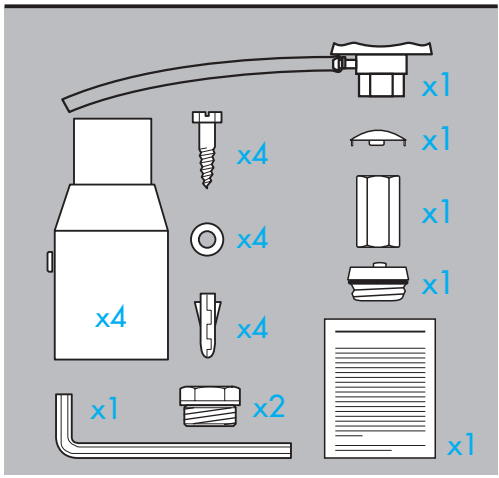
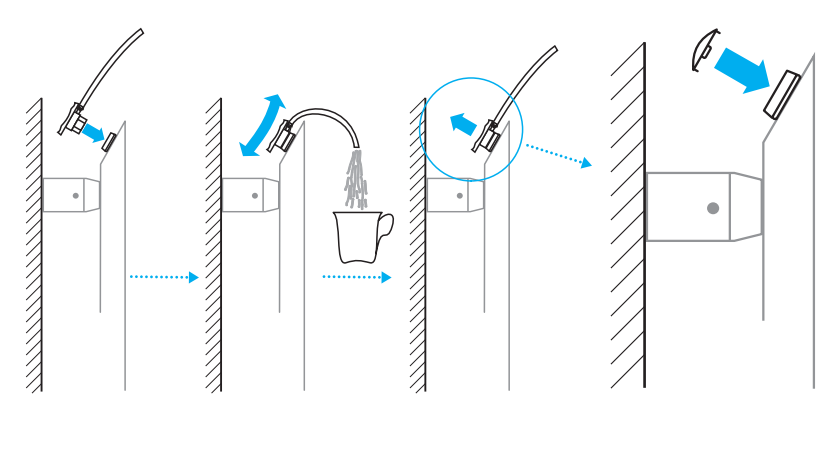
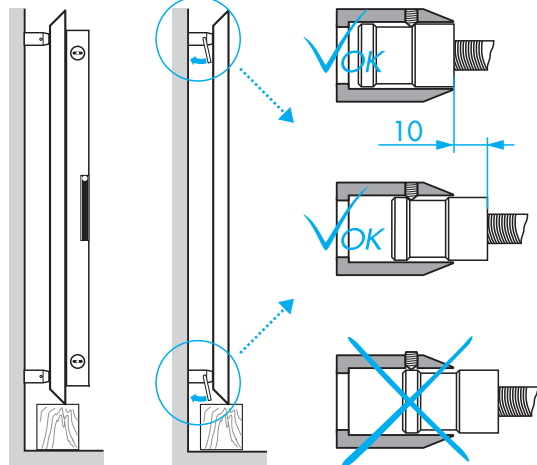
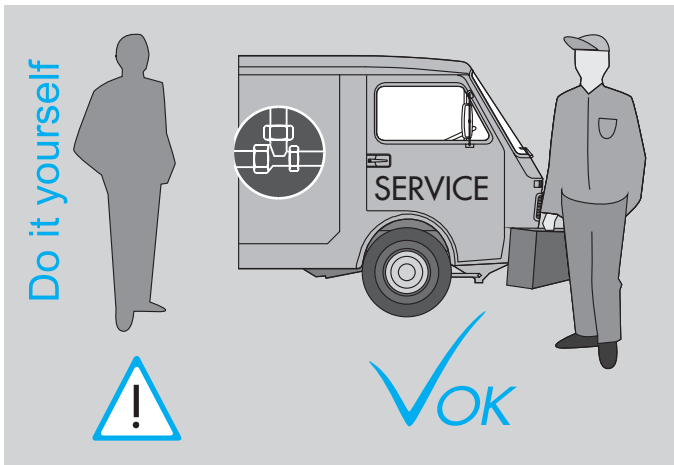
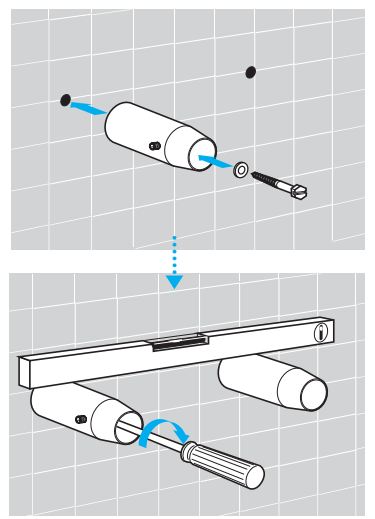
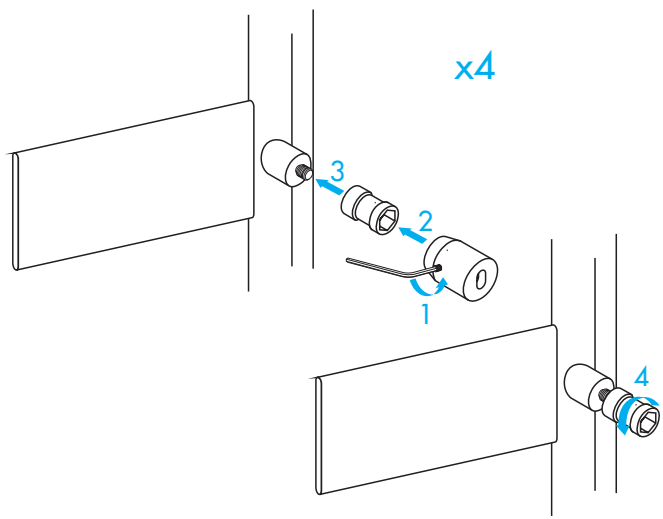
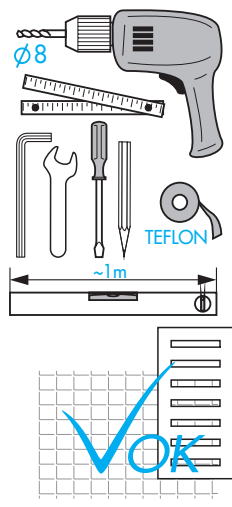
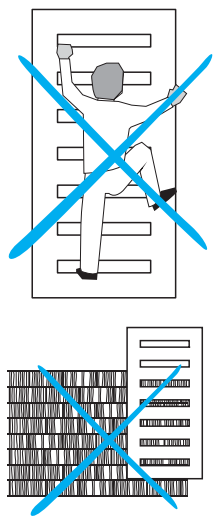


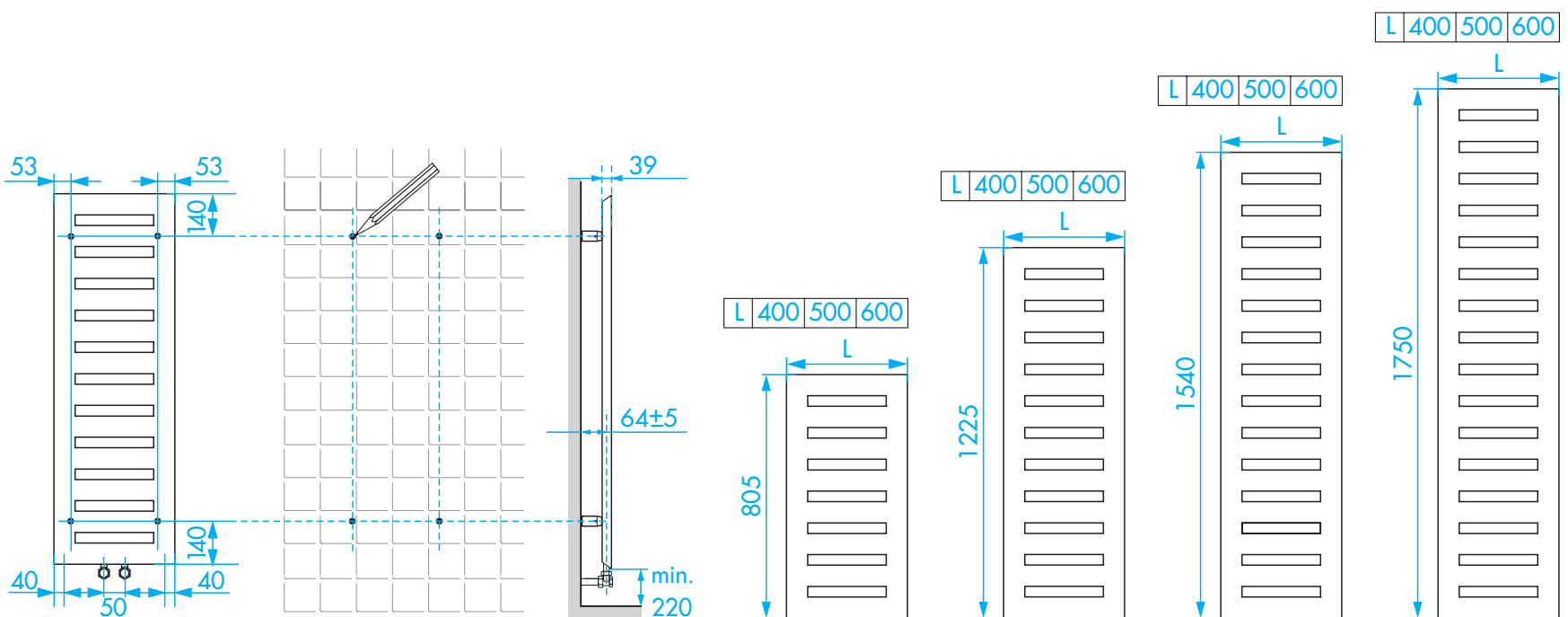
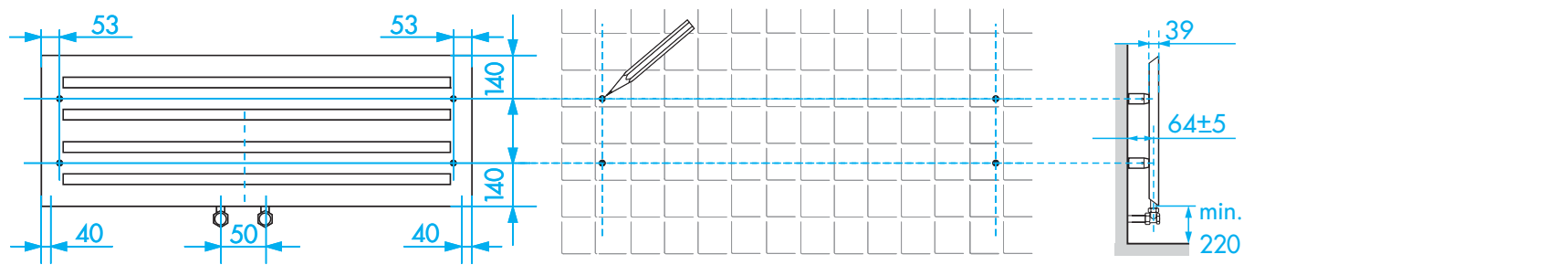
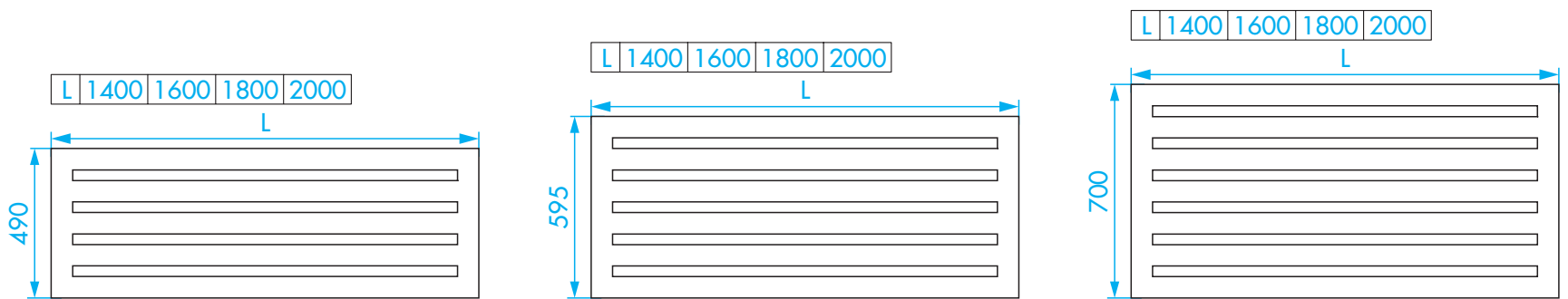
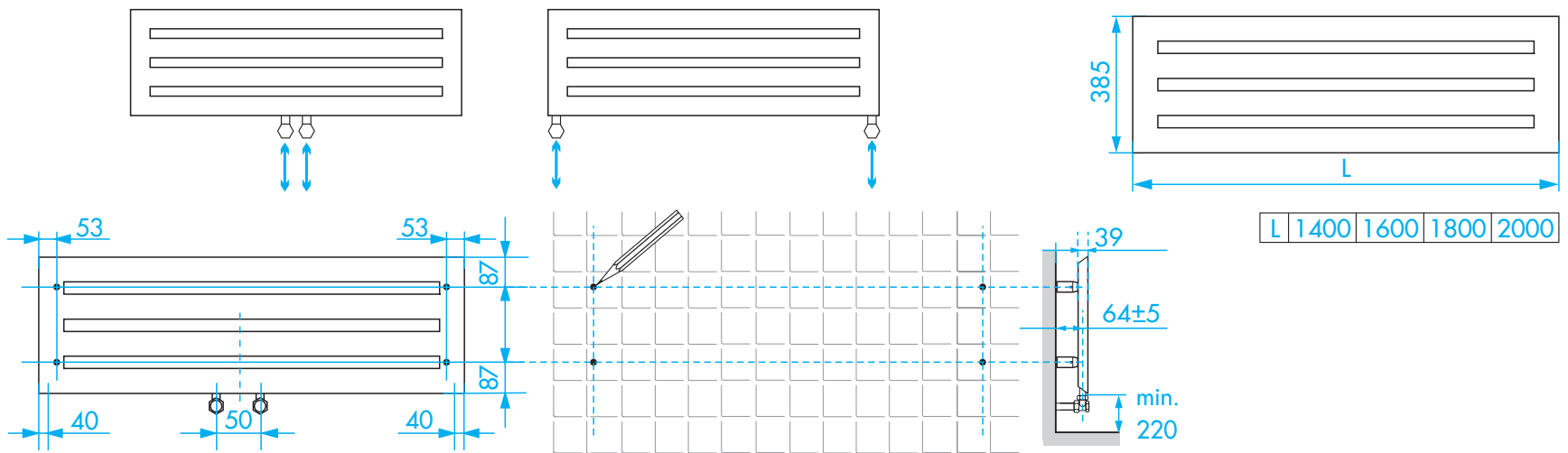
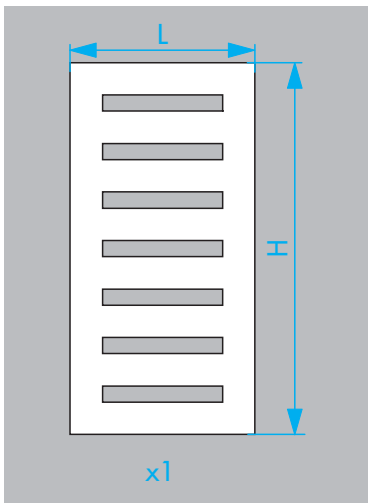
221109



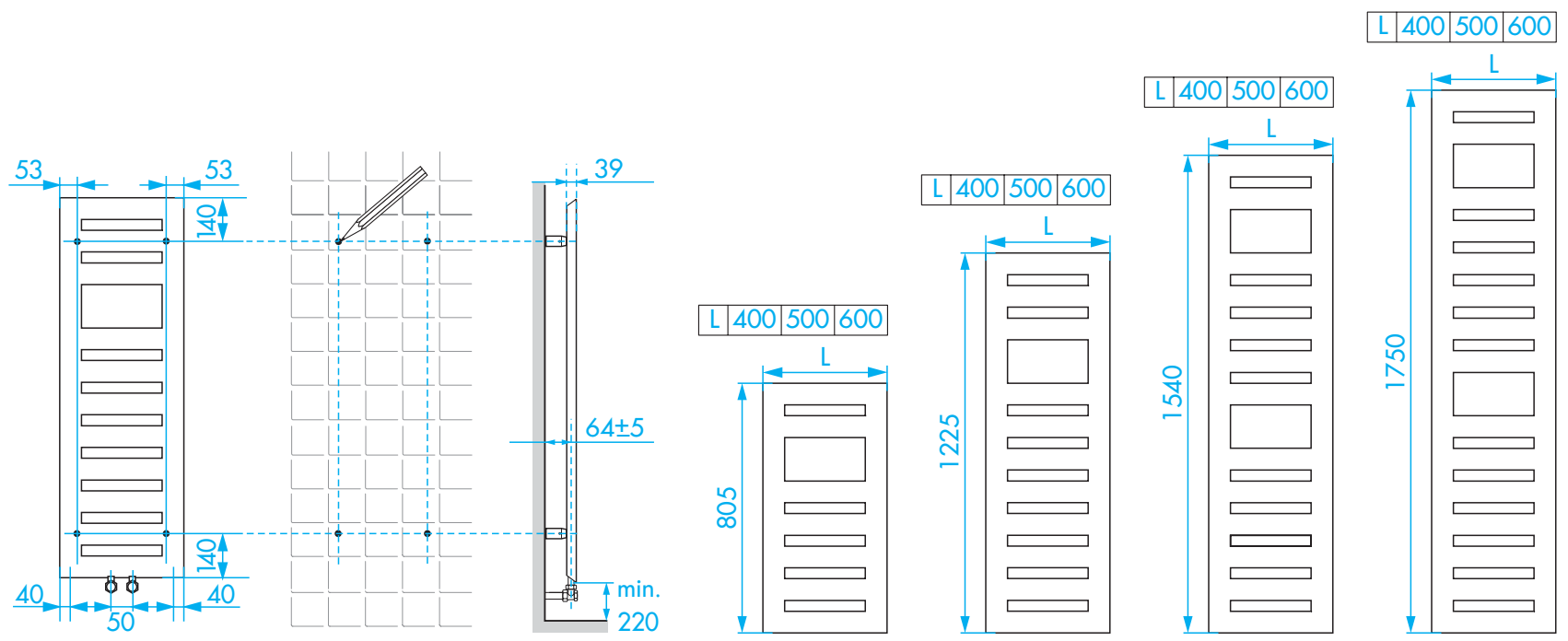
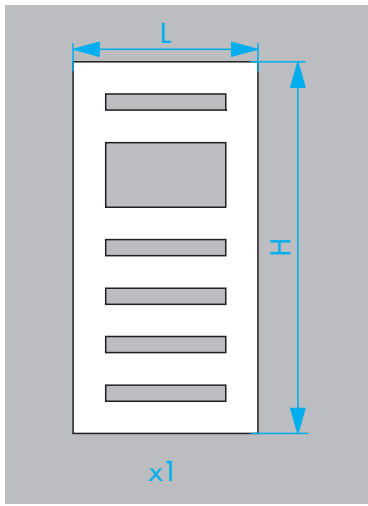
© Copyright by PBO 11/09



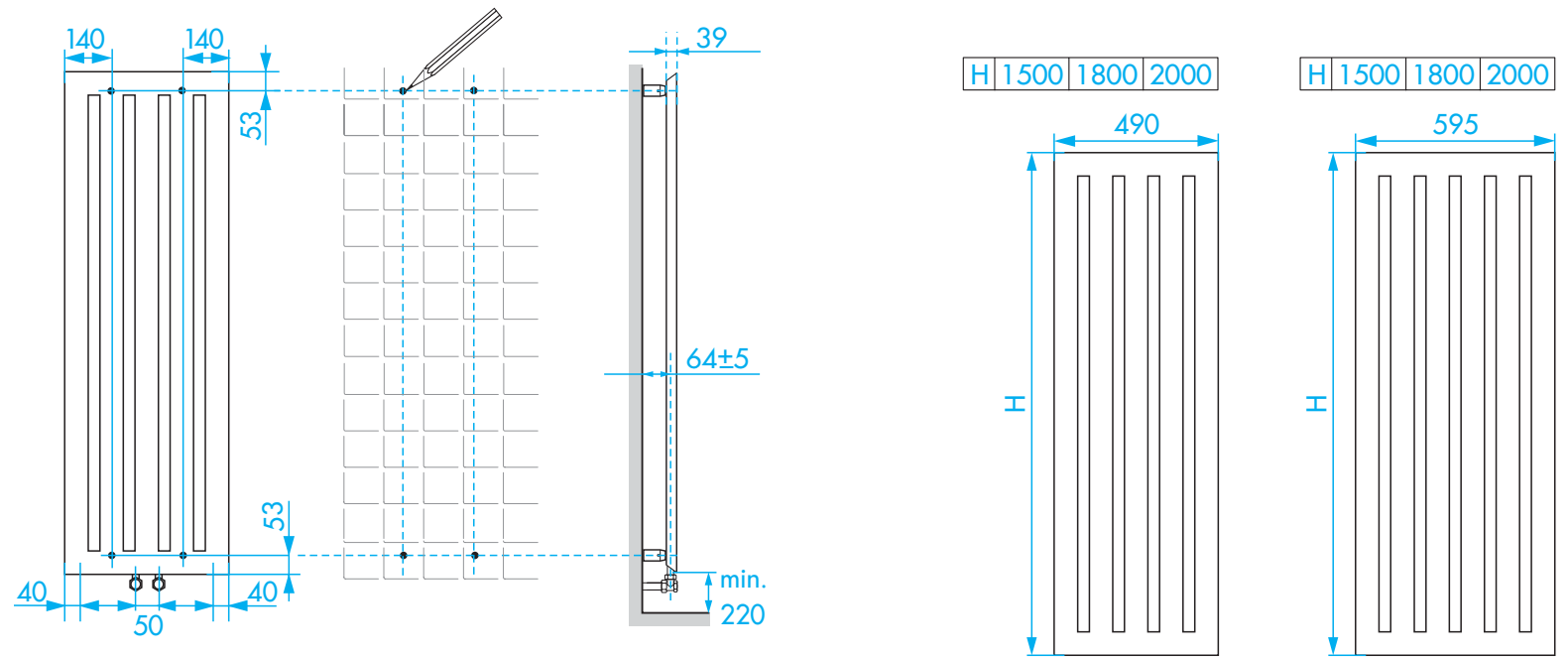
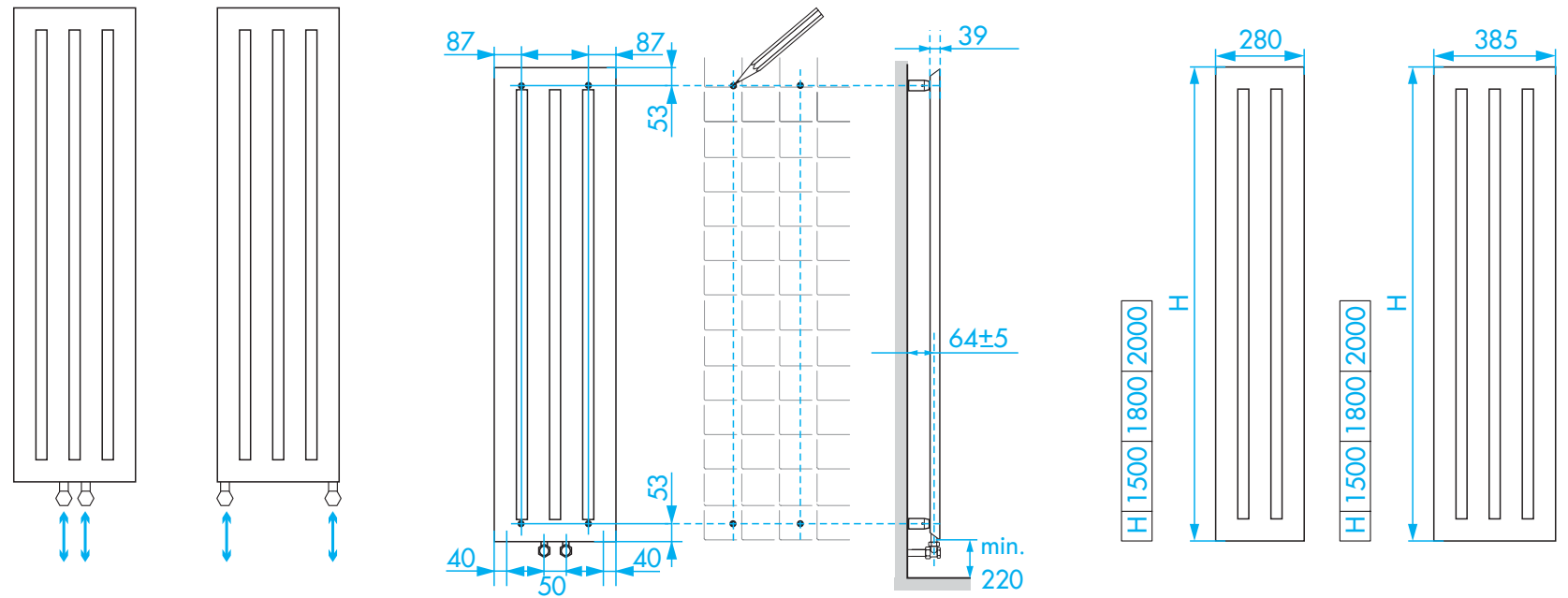
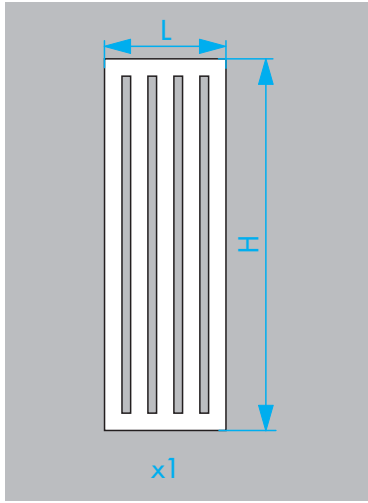
TYPE T080-H



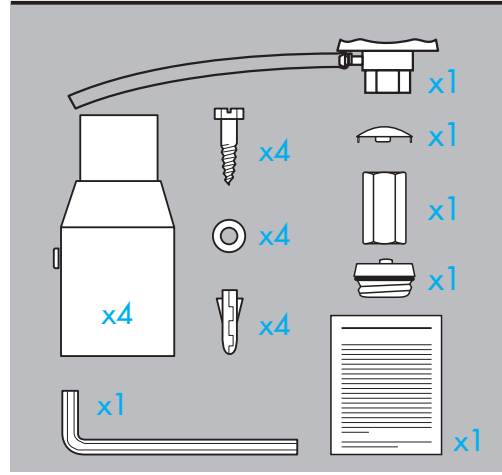
TYPE T081-H



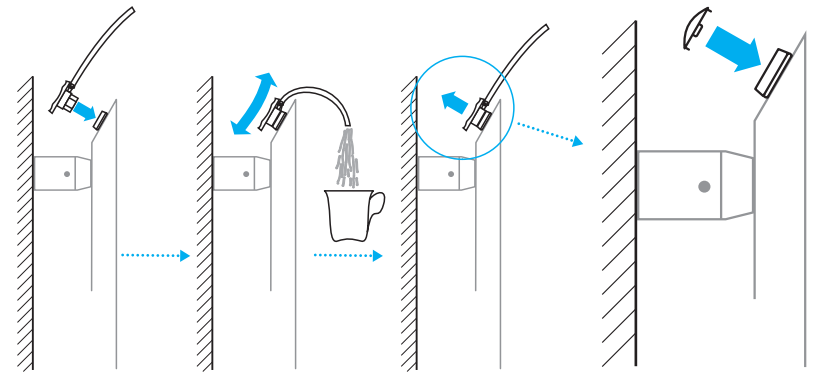
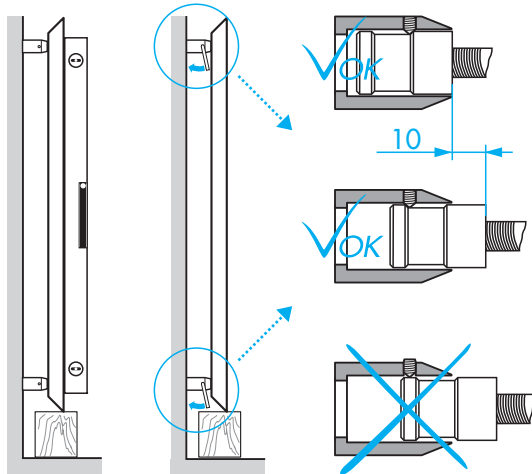
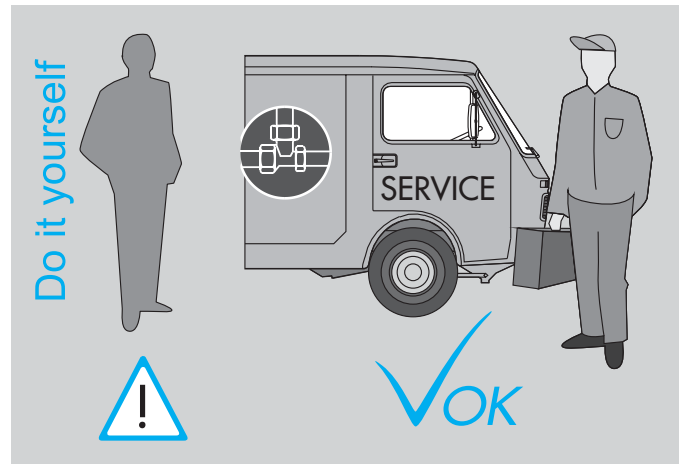
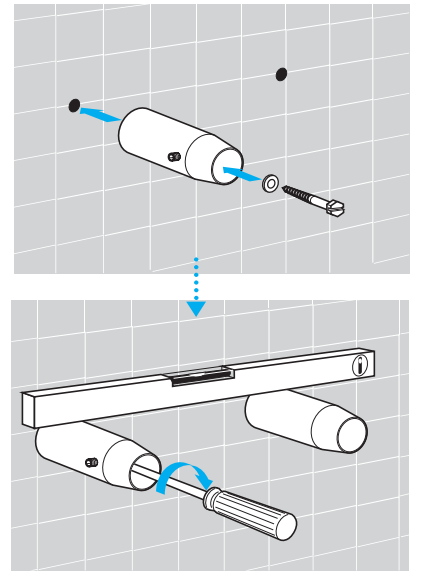
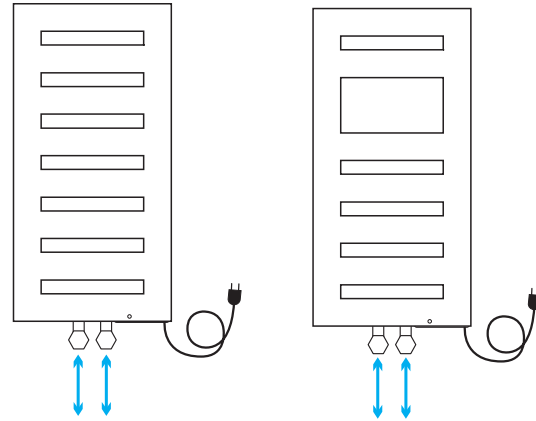
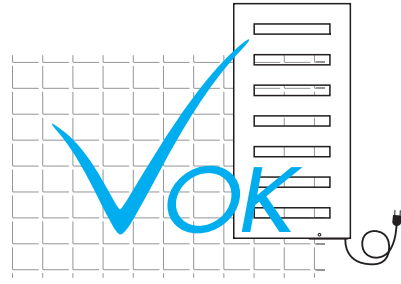
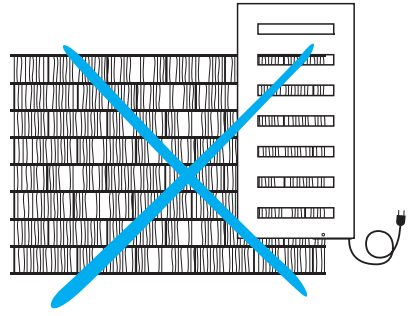
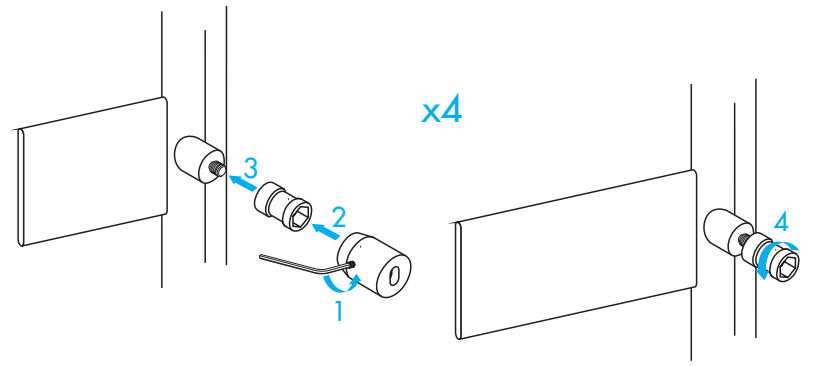
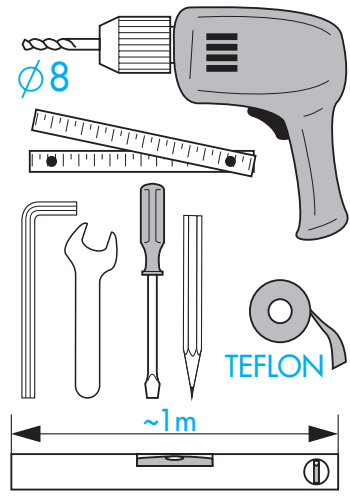
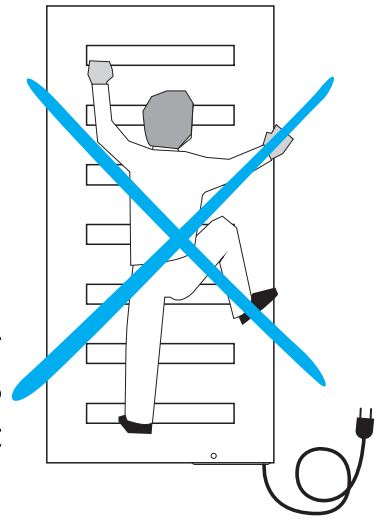
TYPE T080-V



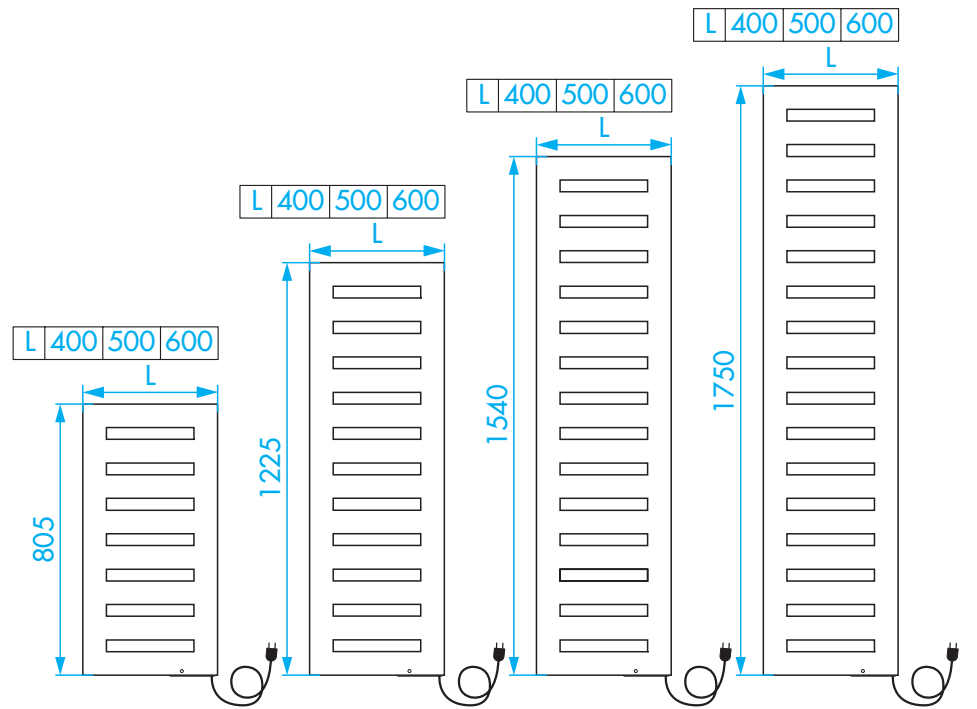
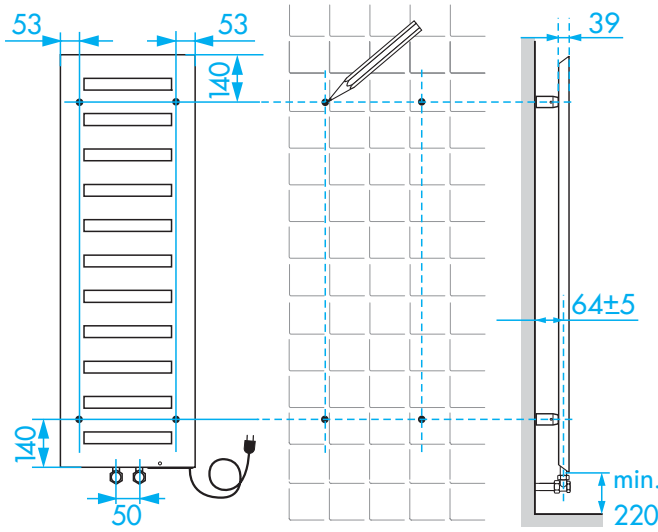
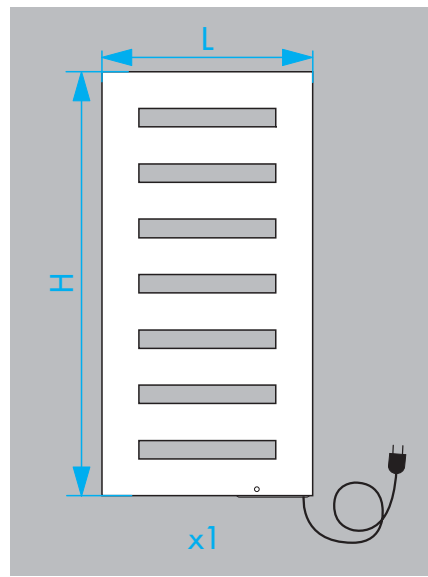
231109



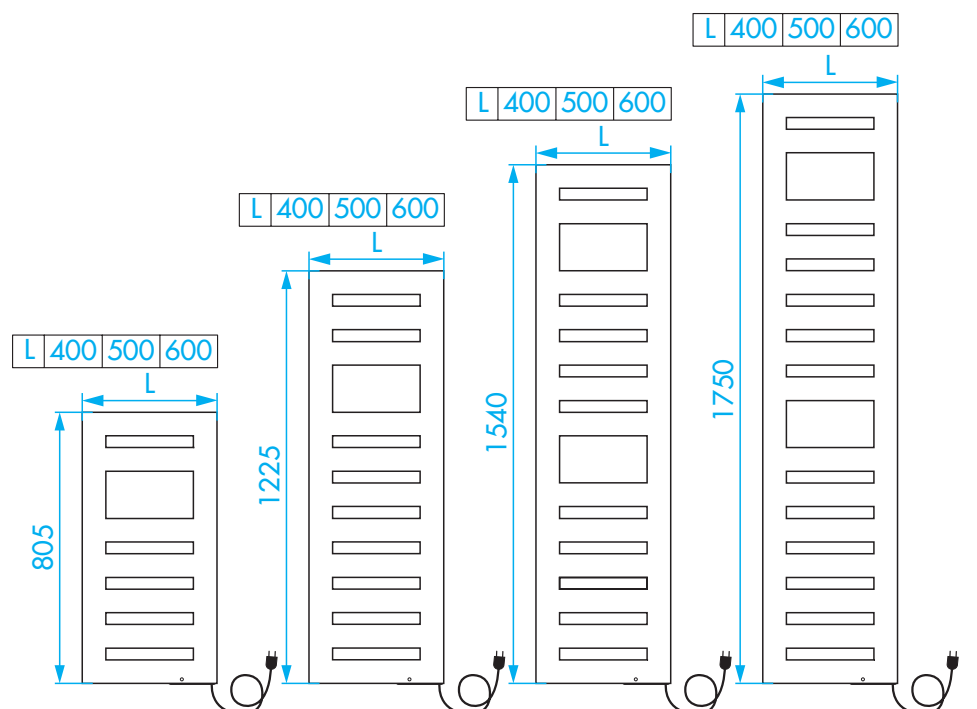
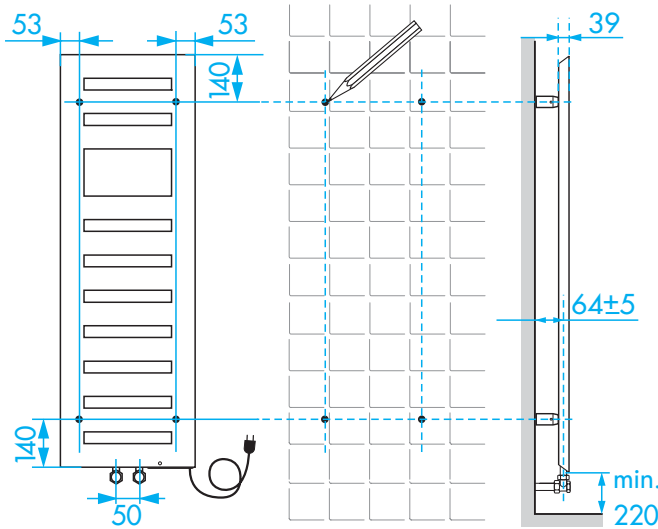
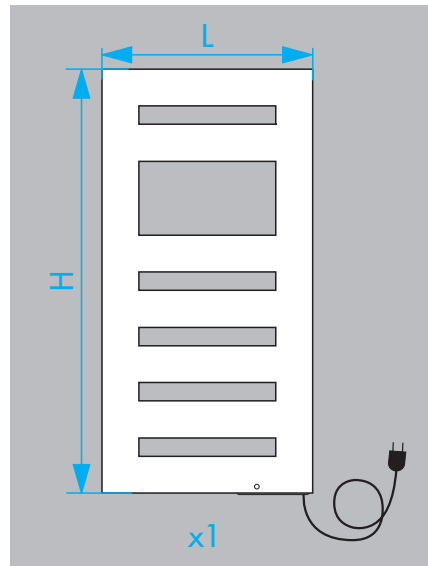
© Copyright by PBO 11/09



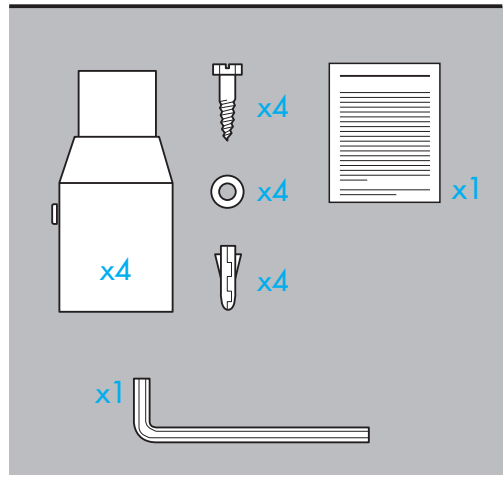
TYPE T080-HM



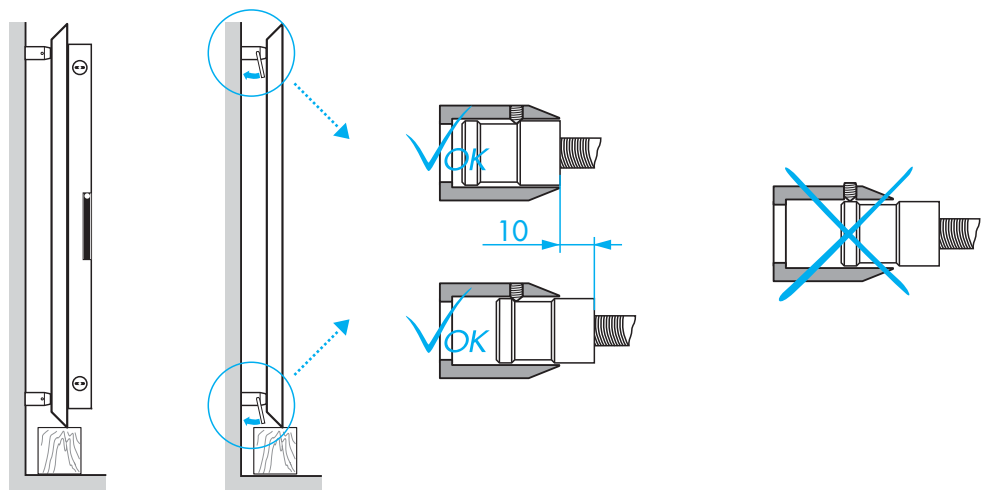
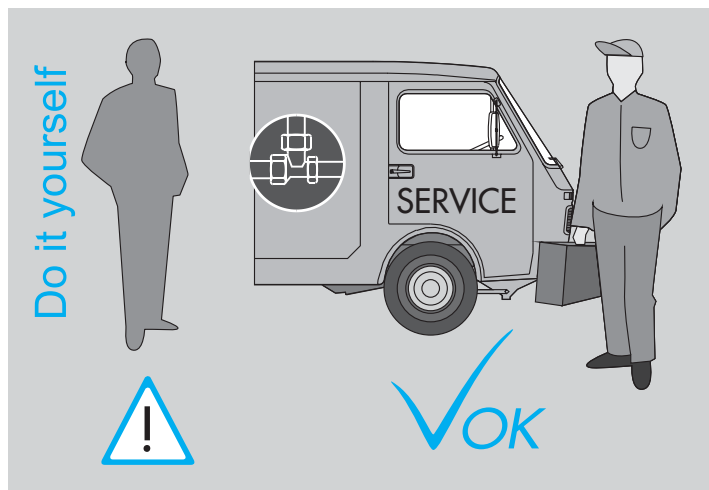
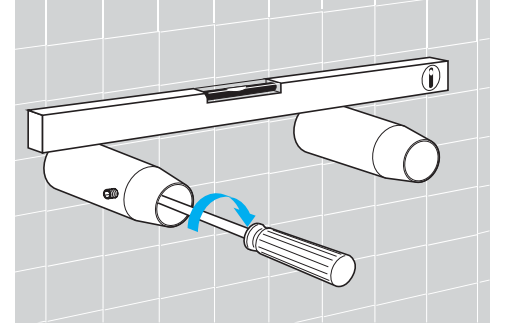
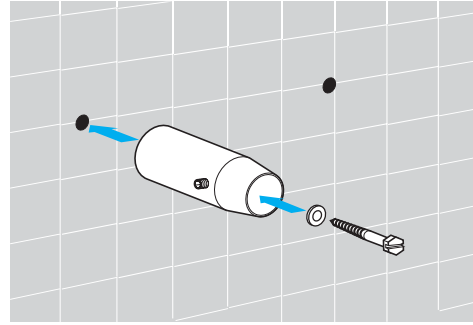
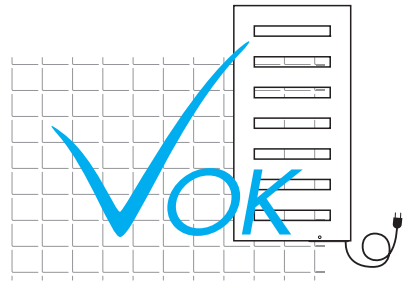
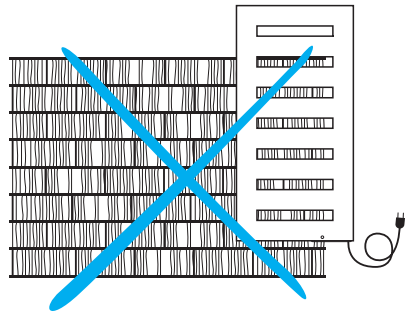
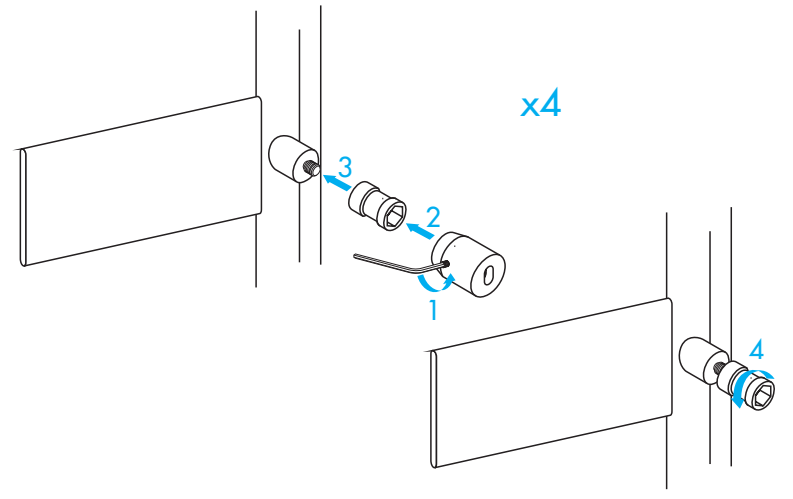
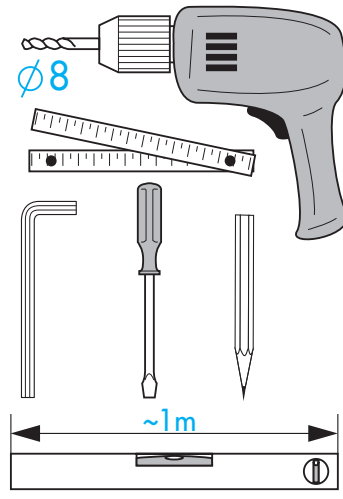
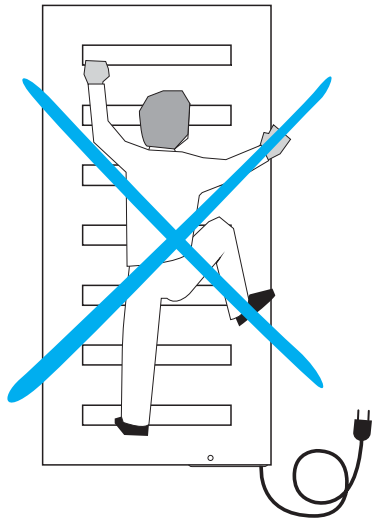
TYPE T081-HM



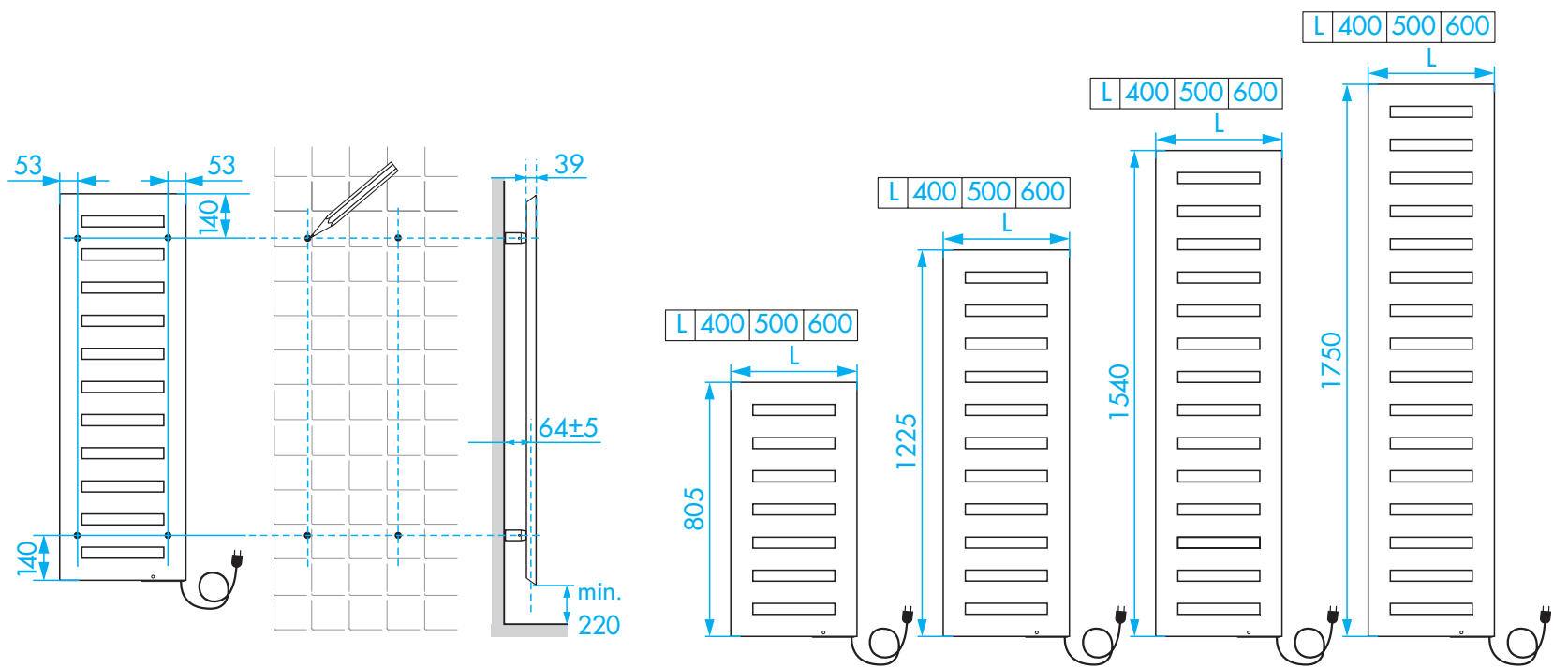
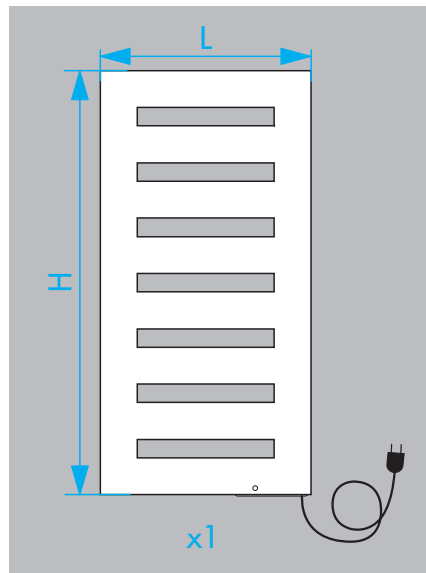
101209



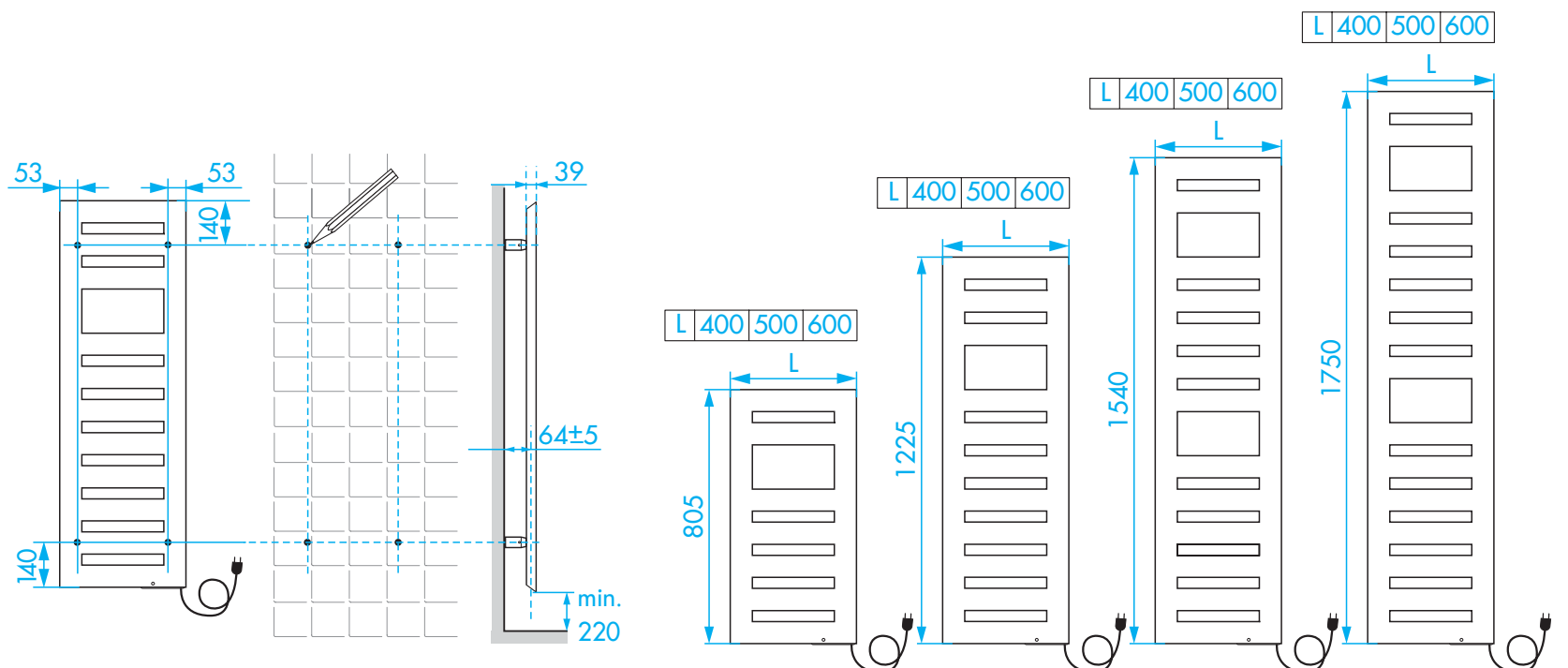
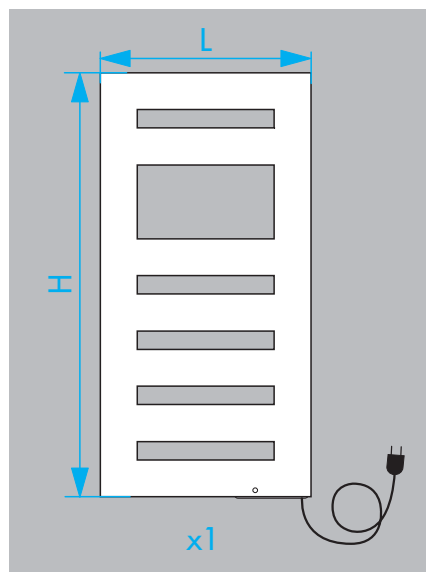
© Copyright by PBO 12/09



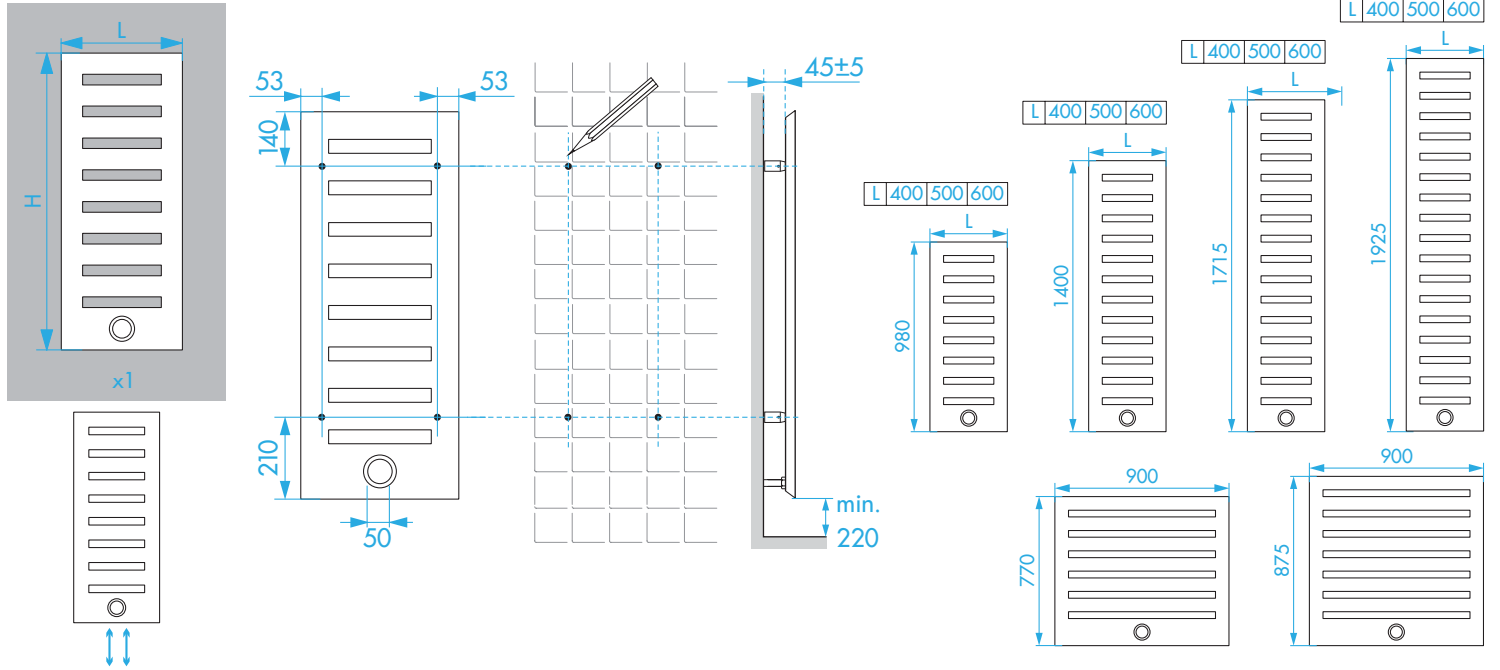
TYPE T080-HE



TYPE T081-HE



TYPE T080



TYPE T081

