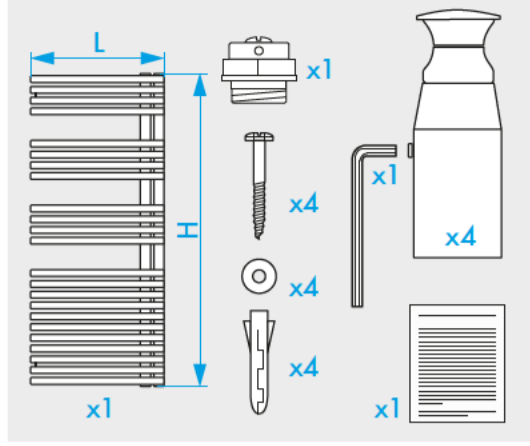
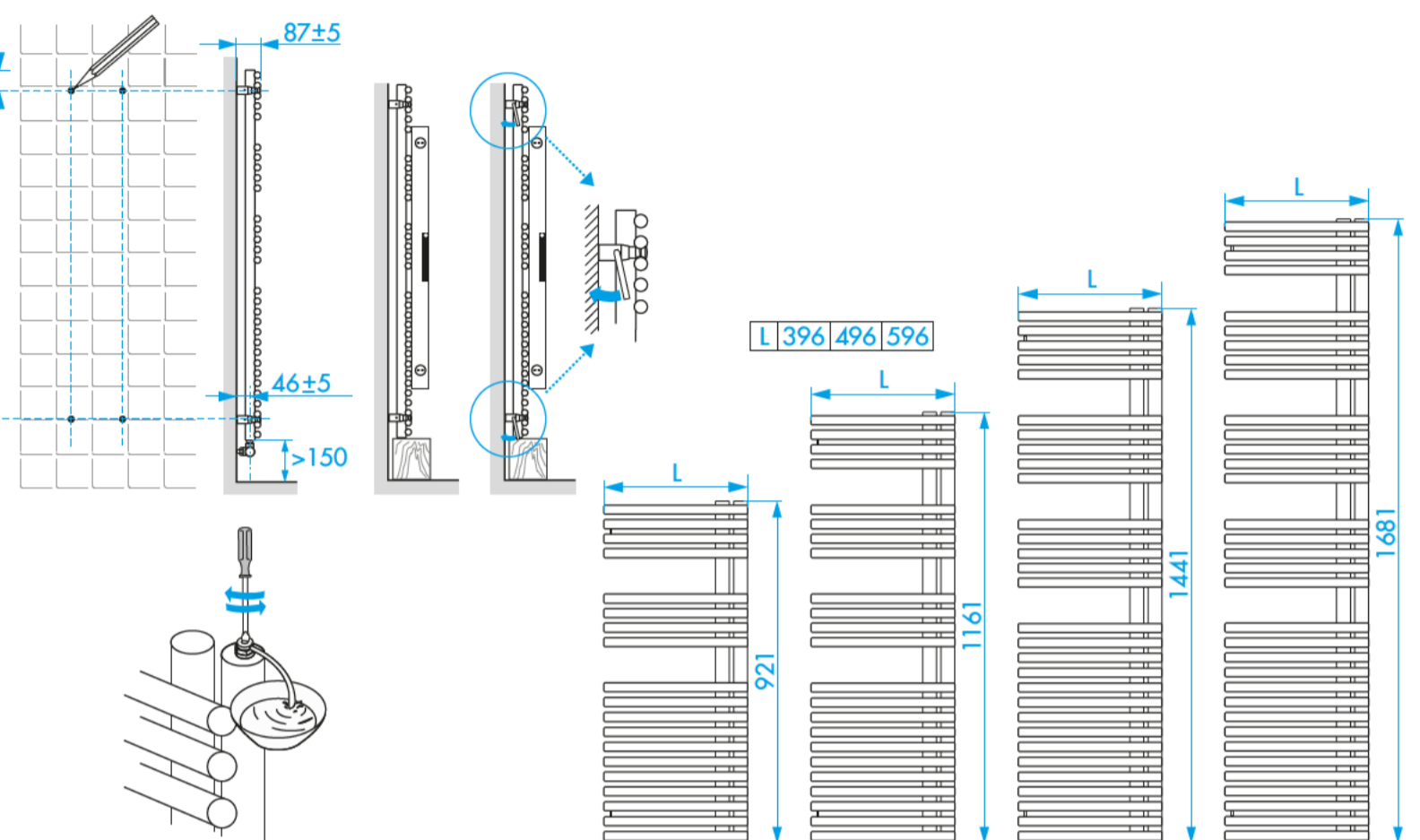
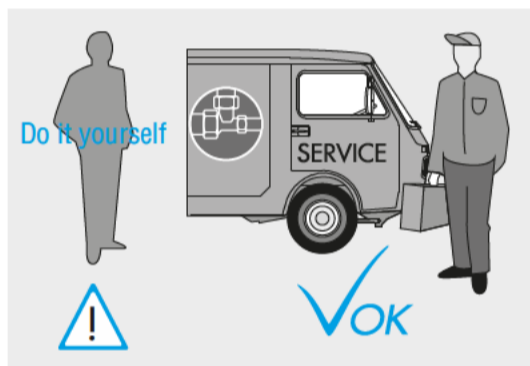
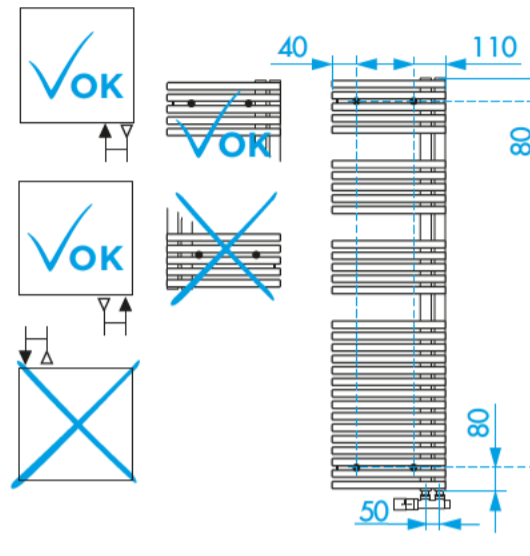
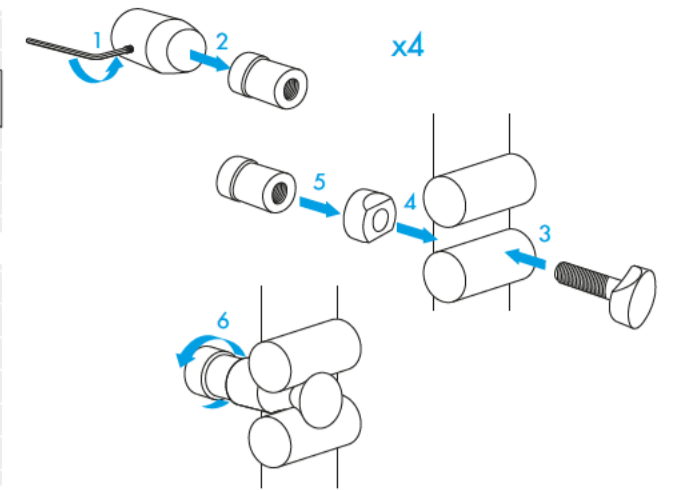
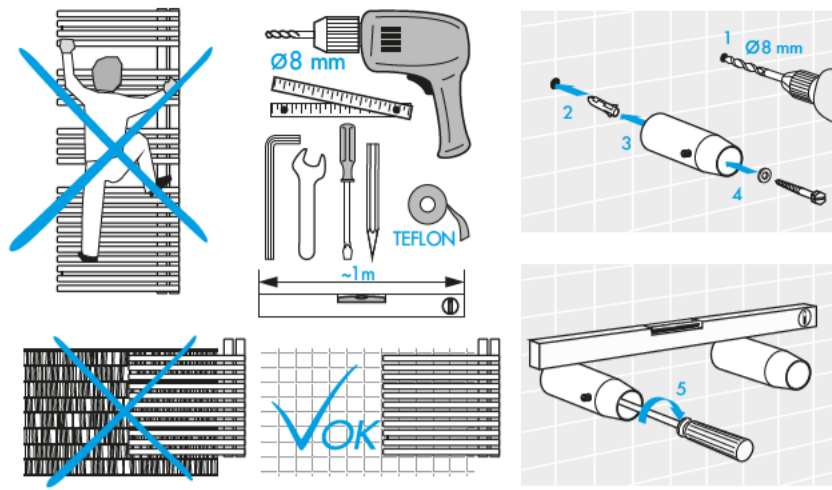


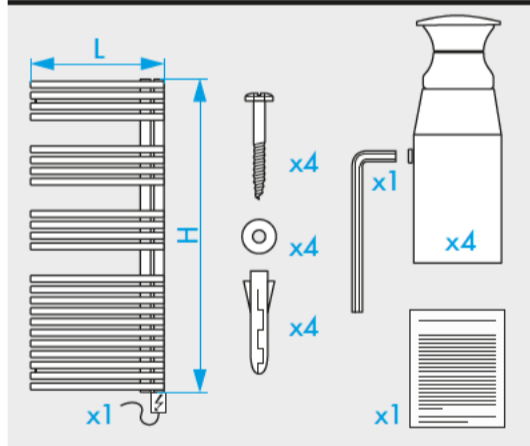
**P25-M / P25-F**



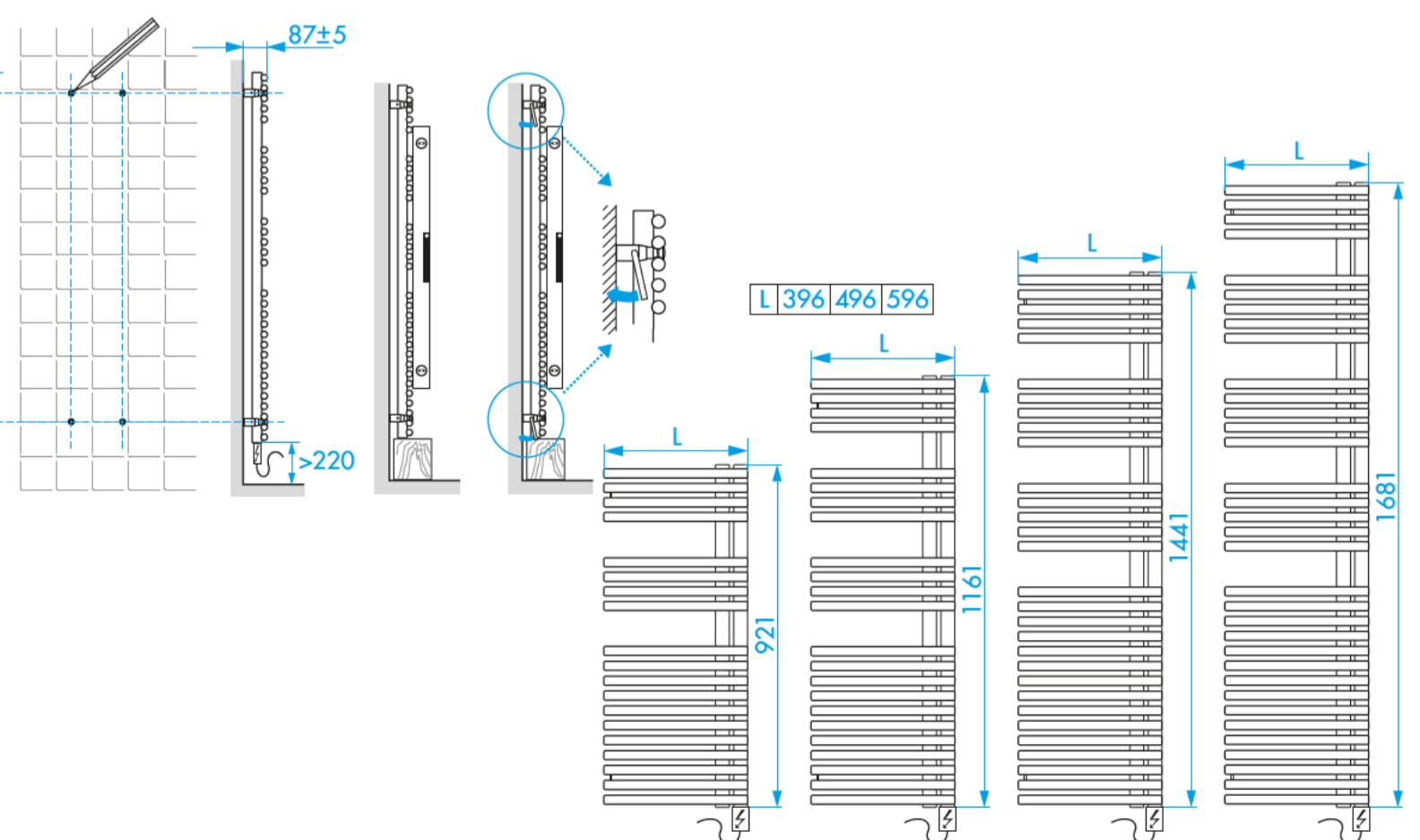
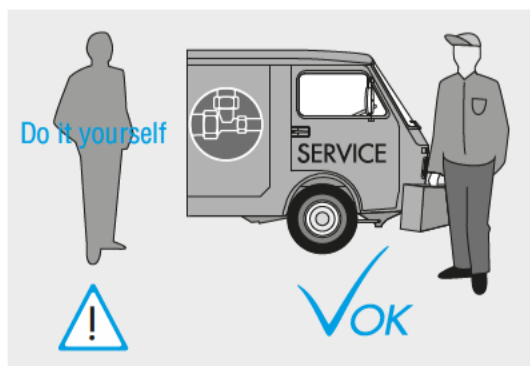
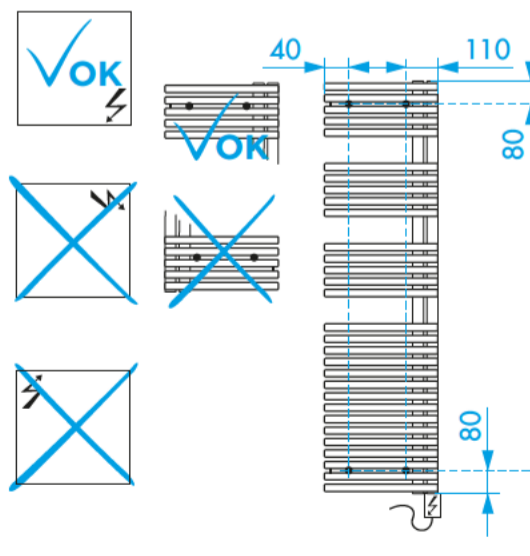
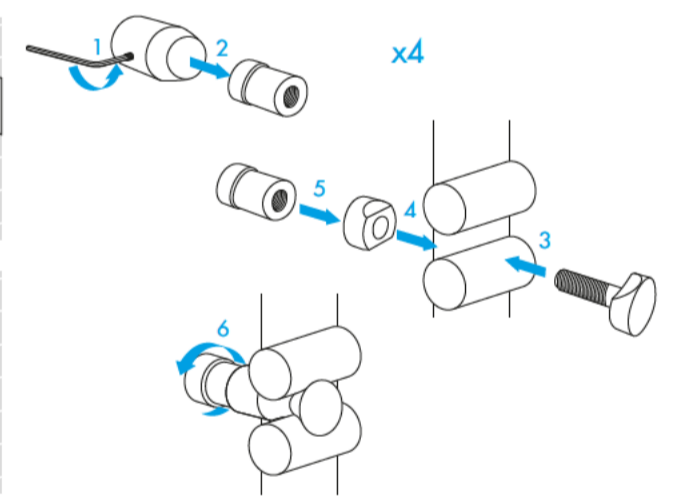
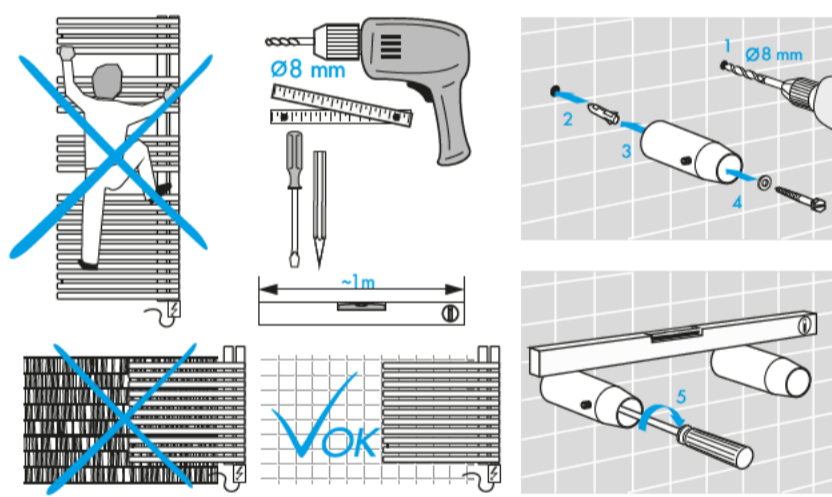
© Copyright by PBO 07/18 40004200



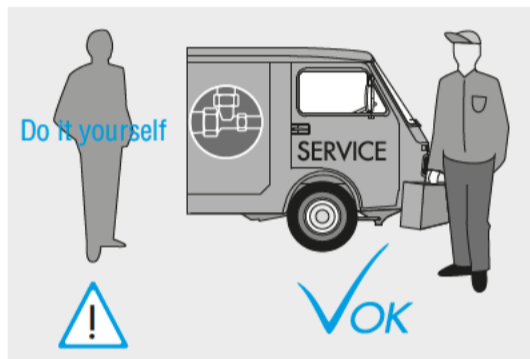
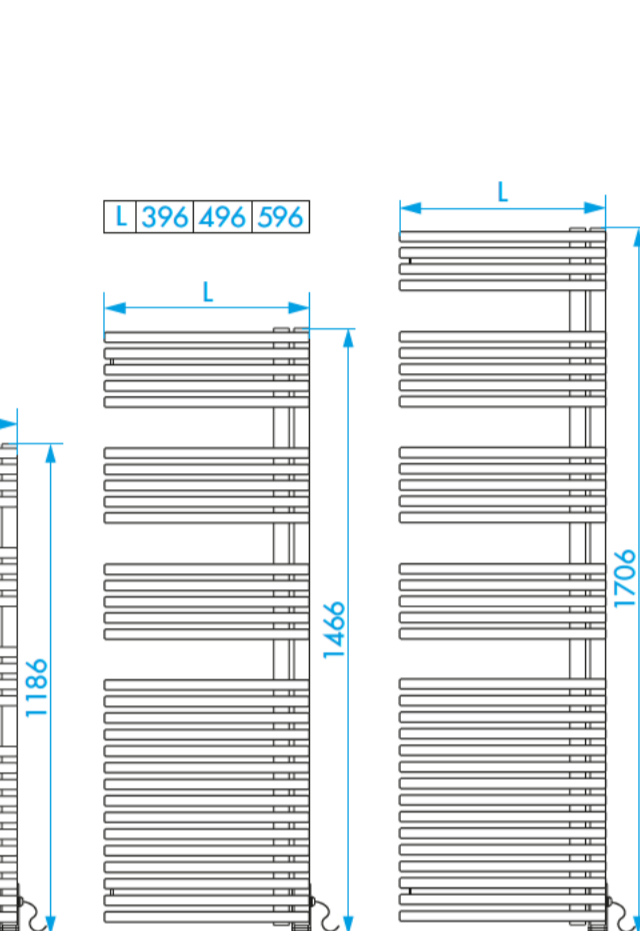
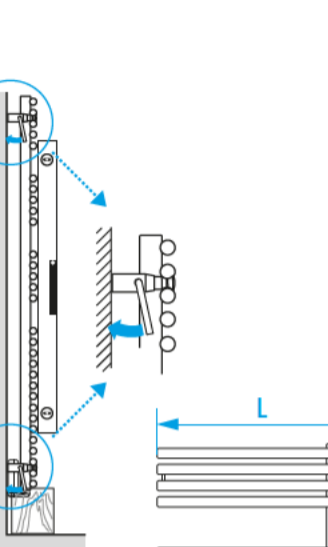
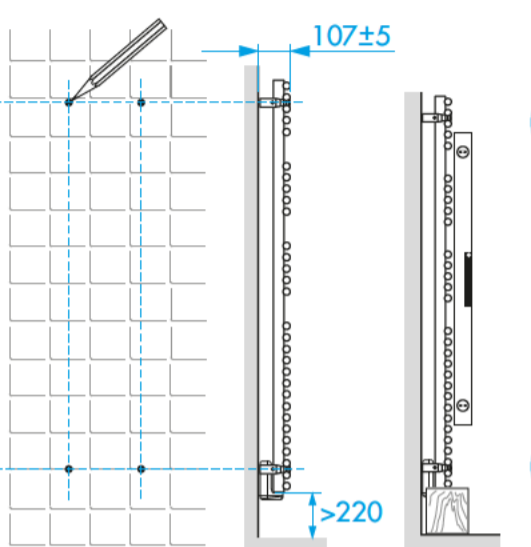
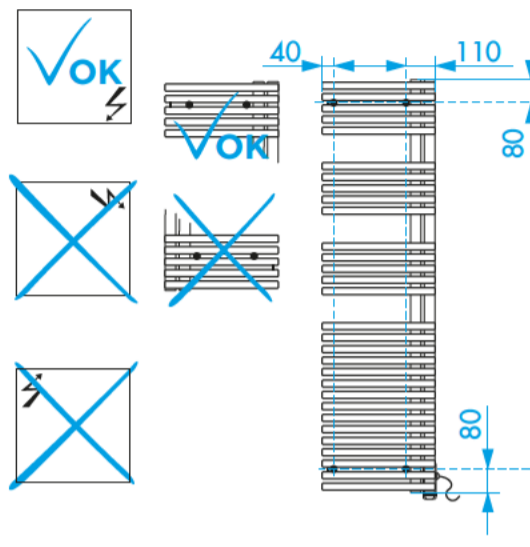
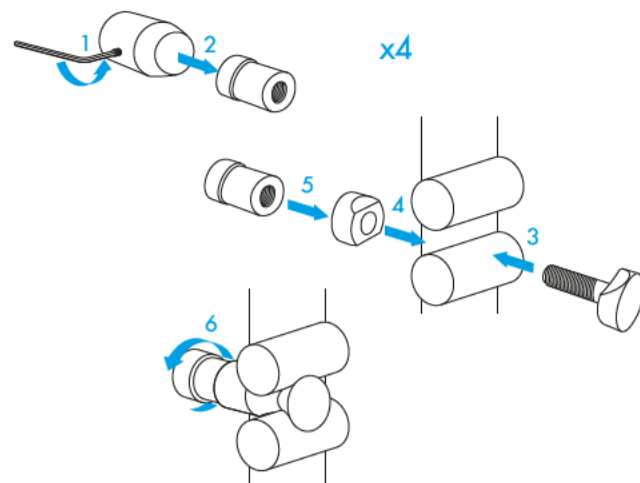
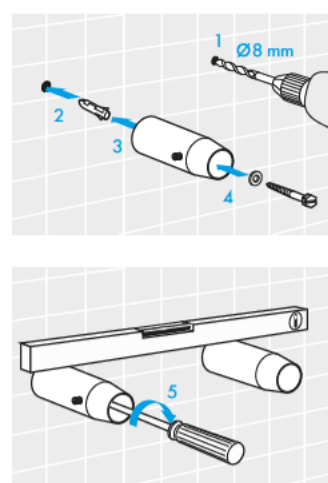
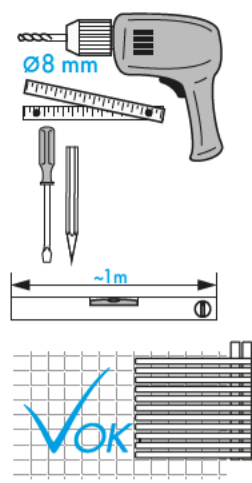
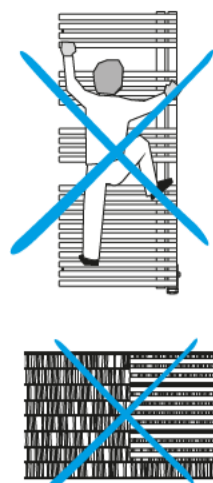
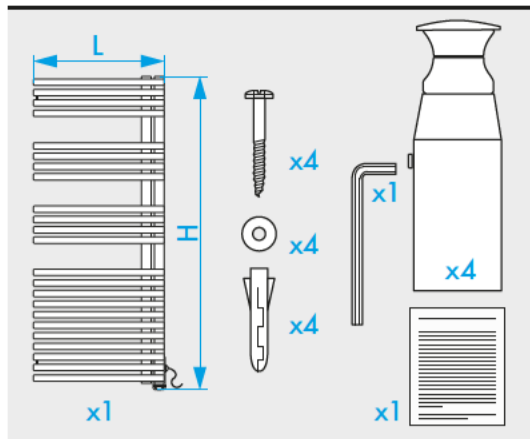
**P25-ME / P25-FE**



© Copyright by PBO 07/18 40004200



### P25-ME(R)-RF



### P25-ME(L)-RF

