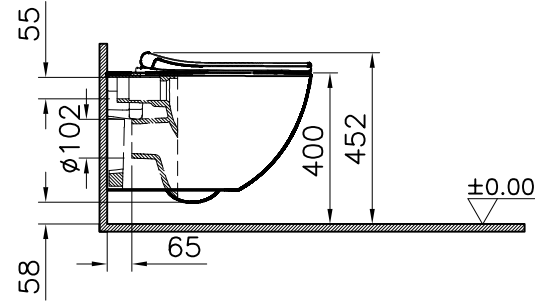
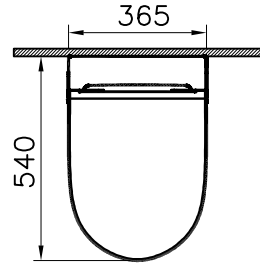
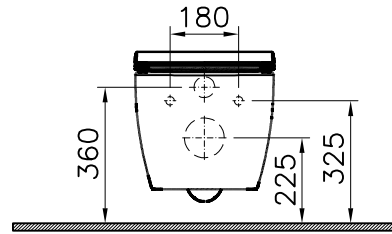


Theoretic Mass(kg)		Revision	
Surface Area(dm <sup>2</sup> )		<b>A4</b>	

Thread	Hole	Shaft

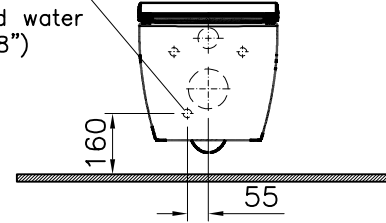


- \* Duvar kalınlığına göre ilave boru gerekebilir.
- \* Additional pipe may be required due to wall thickness
- \* Ein zusätzliches Ablaufrohr ist je nach Wandstärke erforderlich



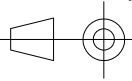
Gizli taharet bağlantısı (3/8")

Concealed water inlet (3/8")



1	1	Rim-ex Asma Klozet	7748-6202	Ceramic	
item	Quantity	Part Name	Drawing No	Material	Material Class
		Series	Material	Ceramic	Material Class
		Rim-ex Asma Klozet			
Drawn By	Controlled By	Approved By	Date	Drawing No	Scale
T.TAYAR	N.BALTACI	S.VEDAT SARIGOL	23.10.2019	7748	1/20

R.S	Description	Date	NAME



This drawing can only be used for the intended purposes. Unauthorized copying is strictly prohibited.

VitrA® ARTEMA®