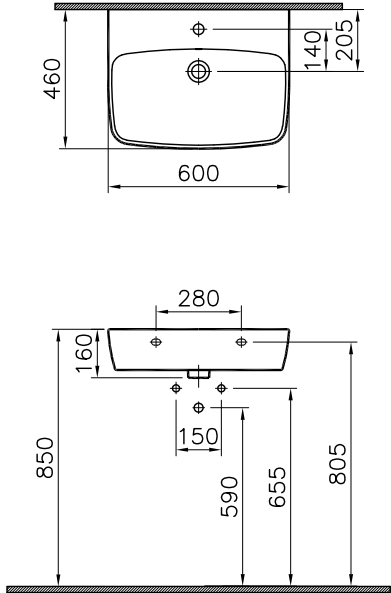


Theoretic Mass(kg)		Revision	
Surface Area(dm ²)		A4	

Thread	Hole	Shaft



1	1	Washbasin	7077-0001	Ceramic	
item	Quantity	Part Name	Drawing No	Material	Material Class
		Series	Ceramic	Material Class	
		Shift	Washbasin		
Drawn By	Controlled By	Approved By	Date	Drawing No	Scale
G.CULTER	N.BALTACI	V.SARIGOL	31.10.2017	7077	1/20

This drawing can only be used for the intended purposes. Unauthorized copying is strictly prohibited.

R.S	Description	Date	NAME

