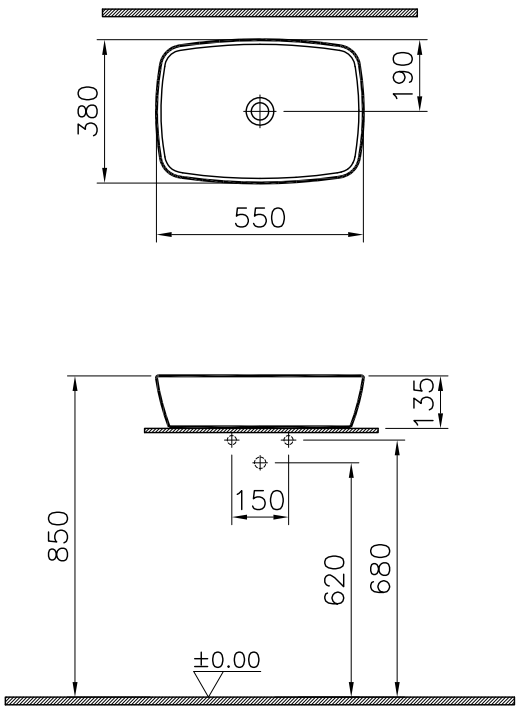


| | | | |
|--------------------------------|--|-----------|--|
| Theoretic Mass(kg) | | Revision | |
| Surface Area(dm ²) | | A4 | |

| | | |
|--------|------|-------|
| Thread | Hole | Shaft |
| | | |



| | | | | | |
|------|----------|-----------|---------------|----------------|----------------|
| 1 | 1 | Washbasin | 7075-0016 | Ceramic | |
| item | Quantity | Part Name | Drawing No | Material | Material Class |
| | | Series | Ceramic | Material Class | |
| | | Shift | Washbasin | | |
| | | Drawn By | Controlled By | Approved By | Date |
| | | G.CULTER | N.BALTACI | V.SARIGOL | 03.08.2017 |
| | | | | | Drawing No |
| | | | | | 7075 |
| | | | | | Scale |
| | | | | | 1/20 |

| | | | | |
|-----|-------------|------|-------------|--|
| | | | | |
| | | | | |
| | | | | |
| | | | | |
| R.S | Description | Date | GOKHAN NAME | |

This drawing can only be used for the intended purposes. Unauthorized copying is strictly prohibited.

VitrA® ART^{EM}A