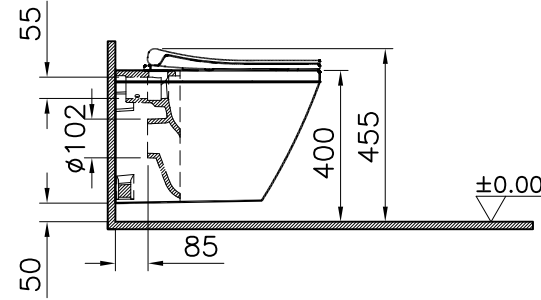
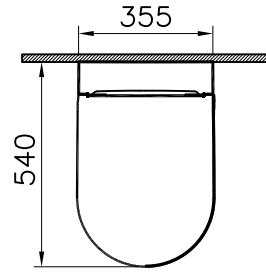
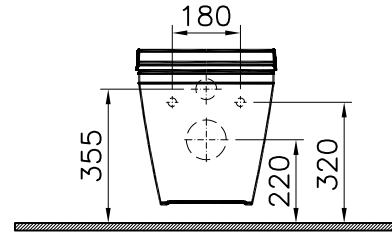


Theoretic Mass(kg)	Revision
Surface Area(dm ²)	A4

Thread	Hole	Shaft

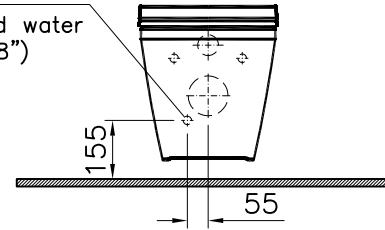


- * Duvar kalınlığına göre ilave boru gerekebilir.
- * Additional pipe may be required due to wall thickness
- * Ein zusätzliches Ablaufrohr ist je nach Wandstärke erforderlich



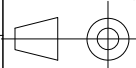
Gizli taharet bağlantısı (3/8")

Concealed water inlet (3/8")



1	1	Rim-ex Asma Klozet	7041-6200	Ceramic	
item	Quantity	Part Name	Drawing No	Material	Material Class
		Series	Material	Ceramic	Material Class
		Rim-ex Asma Klozet			
Drawn By	Controlled By	Approved By	Date	Drawing No	Scale
T.TAYAR	N.BALTACI	S.VEDAT SARIGOL	23.10.2019	7041	1/20

R.S	Description	Date	NAME



This drawing can only be used for the intended purposes. Unauthorized copying is strictly prohibited.

VitrA® | ARTEMA®