

Theoretic Mass(kg)

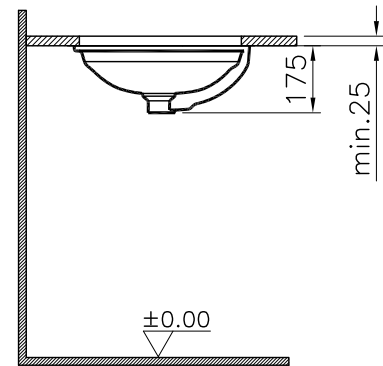
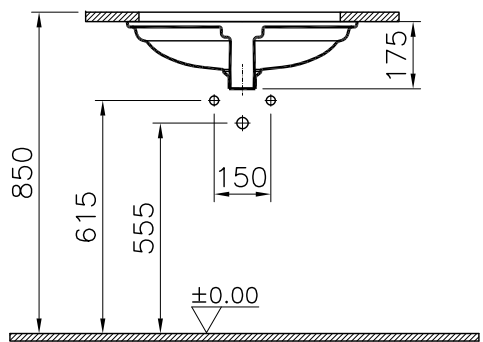
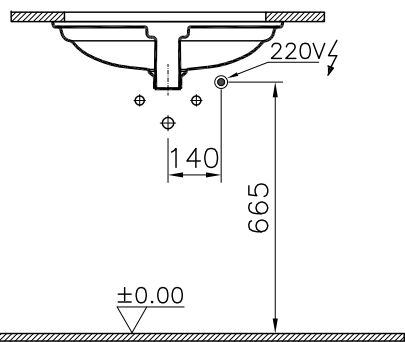
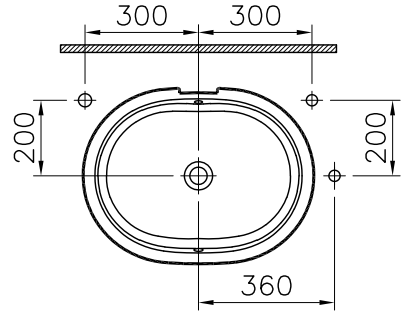
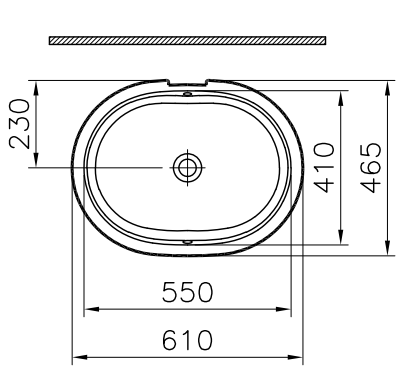
Revision

Thread

Hole

Shaft

Surface Area(dm²)



1	1	Washbasin	7011	Ceramic	
No	Quantity	Part Name	Drawing No	Material	Material Class
		Series	Ceramic	Ceramic	Material Class
Washbasin					
Drawn By	Controlled By	Approved By	Date	Drawing No	Scale
G.GULTER	N.BALTACI	V.SARIGOL	21.10.2016	7011	1/20

Rev.	Details	Date	Signature
------	---------	------	-----------

This drawing can only be used for the intended purposes. Unauthorized copying is strictly prohibited.

VitrA® | ARTEMA®