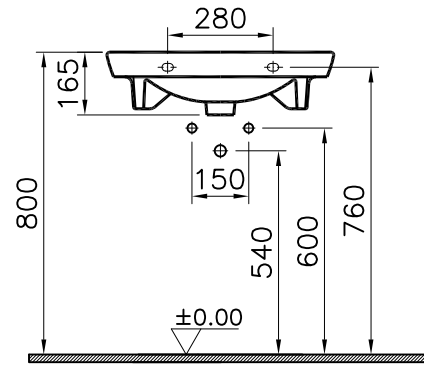
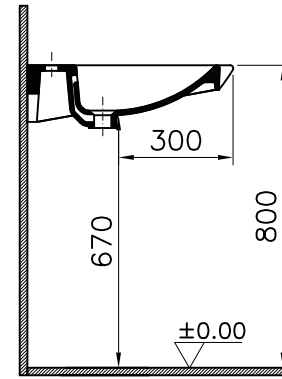
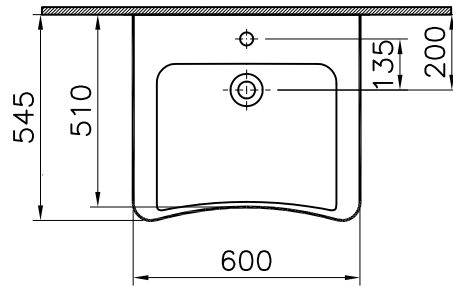


Theoretic Mass(kg)	Revision
Surface Area(dm <sup>2</sup> )	<b>A4</b>

Thread	Hole	Shaft



1	1	Special needs Washbasin 60 cm	5289-0001	Ceramic	
item	Quantity	Part Name	Drawing No	Material	Material Class
		Series	Material	Ceramic	Material Class
		S20	Special needs Washbasin 60 cm		
01	Replaces drawing dated 29.11.2012	17.06.2013	GOKHAN		
R.S	Description	Date	NAME		
		<small>This drawing can only be used for the intended purposes. Unauthorized copying is strictly prohibited.</small>		Drawn By G.GULTER	Controlled By H.TURKOZ
		Approved By S.VEDAT SARIGOL	Date 29.11.2012	Drawing No 5289	Scale 1/20
					<b>VitrA®</b> ART <sup>EM</sup> A