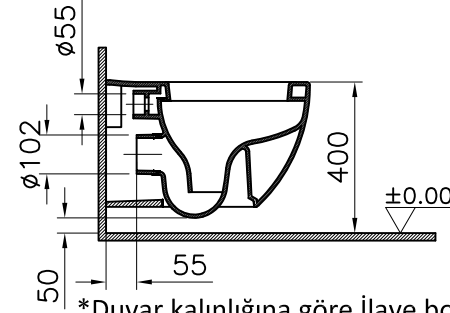
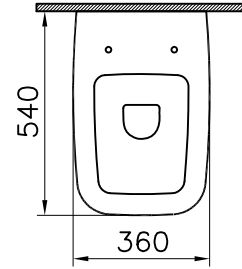
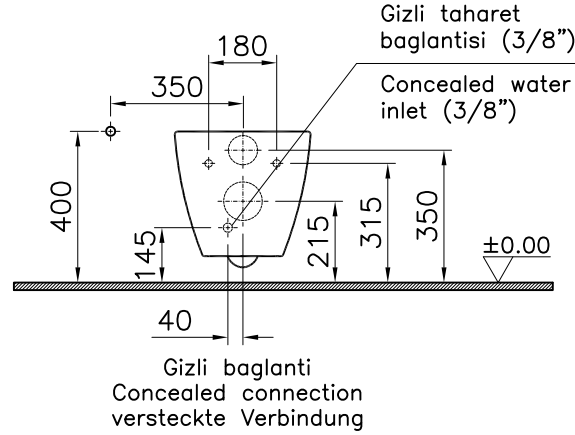


Theoretic Mass(kg)		Revision	
Surface Area(dm ²)		A4	

Thread	Hole	Shaft



*Duvar kalınlığına göre ilave boru gerekebilir
*Additional pipe may be required as to wall thickness



Gizli bağlantı
Concealed connection
versteckte Verbindung

1	1	Wall hung WC pan	4392-0090	Ceramic	
item	Quantity	Part Name	Drawing No	Material	Material Class
		Series	Material	Ceramic	Material Class
		Shift	Wall hung WC pan		
03	replaces drawing dated 28.01.2009	01.09.2014	GOKHAN		
R.S	Description	Date	NAME		
This drawing can only be used for the intended purposes. Unauthorized copying is strictly prohibited.		Drawn By	Controlled By	Approved By	Date
		G.GULTER	O.KONEZ	B.TOPÇU	28.01.2009
					Drawing No
					4392
					Scale
					1/20
		VitrA® ARTEMA®			