

ViClean-I 100



EN Operating instructions



Publishing information

Villeroy & Boch AG

Saaruferstrasse

66693 Mettlach

Germany

Tel.: +49 (0) 68 64/8 10

Email: information@villeroy-boch.com

www.villeroy-boch.com

Downloading and using images from our pages is not permitted without the written permission of Villeroy & Boch AG.

Copyright

Villeroy & Boch AG

Liability

The content of our pages has been prepared with great care. However, we cannot accept responsibility for the correctness, completeness and up-to-date status of the content. Villeroy & Boch AG is responsible for its own content, which it makes available for use in accordance with the general legal statutes. This content of its own is to be differentiated from the content provided by other service providers using cross-references (“links”). If we become aware that the linked content would trigger civil or criminal responsibility, we will delete these links.



The Bluetooth® word mark and logos are registered trademarks owned by Bluetooth SIG, Inc. Any use by Villeroy & Boch is under license.

Other trademarks and trade names are those of their respective owners.



This product fulfils all CE-marking criteria. The declaration of conformity certificate can be obtained from Villeroy & Boch.

Contents

1	General information.....	4
1.1	Conventions used	4
1.2	Target groups	4
1.3	Guarantee	6
2	Safety.....	7
2.1	Intended use	7
2.2	Reasonably predictable misuse	7
2.3	General safety instructions	7
3	Technical data.....	11
4	Product description.....	12
5	Operation.....	15
5.1	ViClean-I 100 app	16
5.2	Rear wash	16
5.3	Lady wash	18
5.4	Setting the nozzle	21
5.5	Stop	21
5.6	Water volume	22
6	Expert mode.....	23
6.1	Setting the water temperature	23
6.2	Manual cleaning of the shower nozzle	23
6.3	Pairing of ViClean-I 100 with the remote control	25
6.4	Resetting your ViClean-I 100	25
7	Replacing the batteries.....	26
8	Maintenance and care.....	28
8.1	General care instructions	29
8.2	QuickRelease	30
9	Fault rectification.....	32
10	Disposal.....	35

1 General information

Read the operating instructions carefully before using the unit. Always keep the operating instructions readily available.

After installation, check the product for damage.

1.1 Conventions used

Safety instructions



Warning!

Warning of potential danger.
Severe bodily injury or death are possible.



Caution!

Warning of potential dangerous situations.
Slight bodily injury or material damage are possible.



Important

Other useful information for application instructions.

Action instructions

Steps to be carried out are shown as a numbered list. The sequence of the steps must be complied with.

Example:

1. Action step
2. Action step

The results of an action instruction are shown as follows:

Example:

- ⇒ Arrow
- ⇒ Arrow

Lists

Lists without a fixed chronological sequence are shown as sets of bullet points.

Example:

- Item 1
- Item 2

1.2 Target groups

The target groups of these operating instructions are the users of the product.

Users:

This appliance may be used by children upwards of 8 years old and by people with reduced physical, sensory or mental capabilities or a lack of experience and/or knowledge, provided they are supervised or instructed on safe use, and have understood the possible dangers. Children should not play with the unit.



Warning!

Cleaning and user maintenance shall not be made by children without supervision.

1.3 Guarantee

Your new ViClean-I 100 shower toilet was designed and manufactured with the utmost care and closest attention to detail. It boasts high quality, durability and pleasing elegance. For this we give you our word and a 24-month guarantee.

We refuse guarantee claims in the following cases:

- Damage or loss due to force majeure such as fire, earthquakes, floods, storms or other influences such as environmental pollution, gas damage (hydrogen sulphide gas), salt damage and voltage variations
- Damage or loss due to installation, if this is not carried out in accordance with the installation instructions
- Damage or loss due to any improper use, misuse, disregard of the operating instructions or improper/lacking maintenance of the product in breach of the specifications in the operating instructions
- Damage or loss through changes or destruction of the product
- Damage or loss through water spots, deposits or foreign bodies contained in the water system
- Damage or loss due to the quality of water in the product's region of use
- Damage or loss through incorrect installation or dismounting after installation
- Damage or loss through hazardous environments
- Damage or loss through external influences (e.g. deformation of the lid)
- Damage or loss through animals or insects
- Damage or loss through freezing of the product
- Damage or loss through unspecific power supply (voltage, frequency) and electromagnetic waves generated outside the product (e.g. by high-voltage lines or accessories)
- Damage or loss through loss of battery power
- Damage or loss through wear and tear (e.g. of dewatering valve, filter, O-ring or seal)

2 Safety

2.1 Intended use

The appliance constitutes Class I electrical equipment and must be earthed. It may only be used in dry environments. If the appliance is used in a bathroom, adequate ventilation must be ensured. Install an exhaust fan or venting system to this end.

Intended use also includes:

- compliance with all operating instructions.
- compliance with all installation instructions.
- exclusive use of original spare parts.
- exclusive use of the product indoors.

ViClean-I 100 may only be used with fresh water. Dirt particles in the water can block the filter, hoses and nozzles.

2.2 Reasonably predictable misuse

Any use other than that listed under “Intended use”, or use which goes beyond this, is considered improper.

The manufacturer accepts no liability whatsoever for damage arising from improper use; the user bears the sole responsibility.

2.3 General safety instructions

Electricity



Warning!

Danger of electrocution!

Touching live parts can lead to severe injury and even death.

- The appliance is designed to operate on 220 - 240 V, 50 Hz, AC. The product may only be installed and repaired by a qualified specialist.
- When carrying out work, make sure the mains power supply is switched off and secured against reconnection.



Warning!

Danger of electrocution during cleaning and maintenance!

Touching live components (220 - 240 V, 50 Hz, AC) during cleaning and maintenance can lead to severe injury and even death.

- Take care not to touch live parts (220 - 240 V, 50 Hz, AC) during cleaning and maintenance.



Warning!

Danger of electrocution!

Live components that have not been fitted or fixed properly can lead to severe injury and even death.

- All electrical and electromagnetic components, and those needed for installation (with the exception of the remote control), must be attached to the toilet safely in accordance with the installation instructions and applicable legal regulations in the country of installation.
- To prevent injury and even death, all live parts must be attached to the toilet safely in accordance with the installation instructions and applicable legal regulations in the country of installation.

Heat



Warning!

Danger of explosion!

Sources of heat in the immediate surroundings of the toilet or remote control can lead to heat development at the product and explosions.

- Do not place any sources of heat in the immediate surroundings of the toilet or remote control.

Cleaning



Warning!

Cleaning and user maintenance shall not be made by children without supervision.



Caution!

Material damage due to cleaning agents!

Contact of the shower toilet with non-pH neutral cleaning agents or cleaning agents that contain chlorine or which are abrasive as well as the use of cleaning utensils with a rough surface can lead to damage.

- Only use water, a mild neutral cleaner and cloths with a soft surface to clean the shower toilet.
- If the shower toilet comes into contact with aggressive cleaning agents or sanitary cleaners, rinse them off immediately with clear water.



Caution!

Material damage due to cleaning agents!

The seat and lid can be damaged by contact with cleaning agents.

When cleaning, make sure that the seat and lid remain up until the cleaning agent has been rinsed away.



Caution!

Material damage due to water!

The remote control can be damaged by contact with water.

- Never immerse the remote control in water.
- Do not clean the remote control in a dishwasher.



Important

To clean the toilet seat, use a mild soap solution and make sure that the seat and hinges are not left damp.

Therefore, dry the toilet seat and hinges with a soft cloth.

Operation



Important

In the event of a product malfunction, switch off the toilet with the appropriate switch (see chapter "Product description") and turn off the water supply. Malfunctions can be:

- smoke development
- water leaks
- noise development



Important

- The system conforms to the requirements for Protection Class I equipment.
- Type X, connection method using special cables. To avoid danger, the power supply cord must be replaced by the manufacturer, its service agents or similarly qualified persons if damaged.
- All parts must be mounted in the correct area.



Important

When the seat and lid are down, avoid subjecting them to weight of any kind that does not conform to intended use, e.g. do not stand on the seat or lid or support yourself with one leg.



Important

Dispose of leaking batteries correctly using gloves. Avoid skin contact. Wipe off residues with a moist cloth.



Important

Only use LR03/AAA batteries. Never use rechargeable batteries.

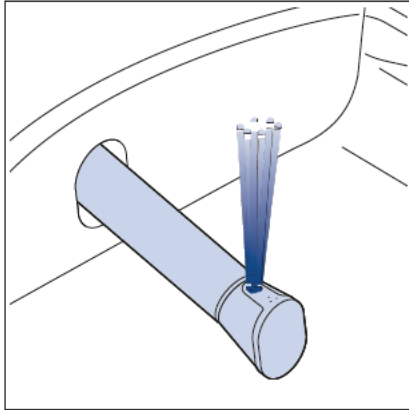
3 Technical data

Category		Description
Model		ViClean-I 100
Supply voltage		220 - 240 V AC, 50 Hz
Nominal power consumption		960 W (water temperature 15±5 °C, flow rate 500 ml/min.)
Maximum power consumption		1344 W
Batteries (2x) for remote control		Type: LR03/AAA
Toilet	Flush water consumption	3/4.5 l
	Outlet diameter	110 mm
	Outlet	Horizontal outlet
Shower functions	Water flow rate	300 - 520 ml/min.
	Mode	Flow heater
	Water temperature	30 - 40 °C (5 temperature levels)
	Power consumption of the heating element	480 - 1344 W
	Safety device	Type AB
	Adjustable nozzle position	5 levels
Protection rating		IPX4
Water inlet pressure		Min. water pressure required: 0.1 MPa (dynamic) Max. permissible water pressure: 1.0 MPa (static)
Water inlet temperature		10 - 35 °C
Ambient temperature for operation		15 - 40 °C
Dimensions (length x width x height)		595 mm x 385 mm x 400 mm
Weight		32 kg

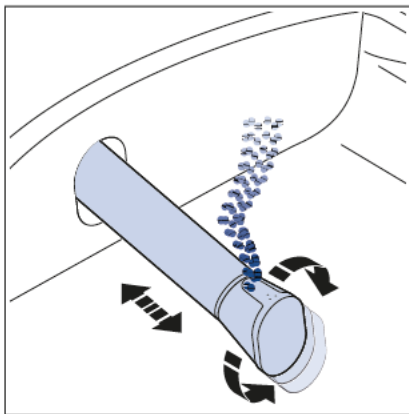
-
- | | |
|------------------------------------|------------------|
| 1 Rear cover | 10 Hinge cover |
| 2 ON/OFF switch | 11 Seat |
| 3 Service display | 12 Shower nozzle |
| 4 Service cover | 13 Nozzle head |
| 5 Product label with serial number | 14 Ceramic |
| 6 Wall mount for remote control | 15 Seat buffer |
| 7 Remote control | 16 QuickRelease |
| 8 Lid buffer | 17 Panel |
| 9 Lid | |

Nozzle settings

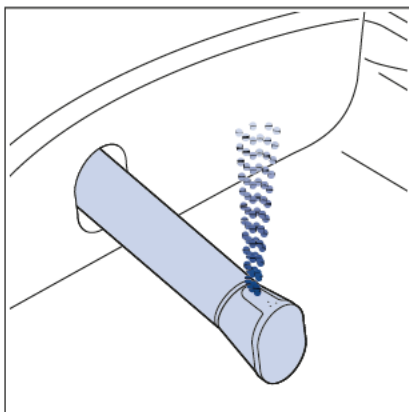
The following settings can be selected for both the Lady and the Rear wash functions:



Normal
Shower with continuous water jet without movement

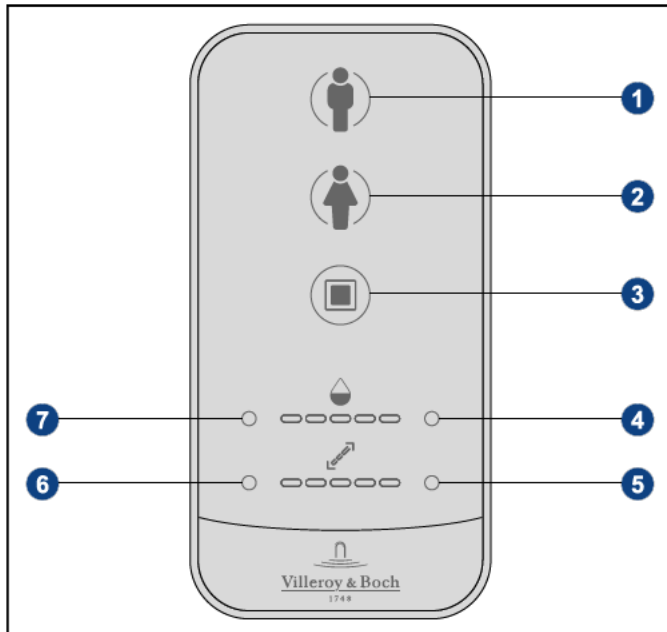


HarmonicWave
Shower with oscillating and rotating movement



Pulsating massage shower
Shower with interval flush

5 Operation



- 1 Rear wash
- 2 Lady wash
- 3 Stop
- 4 Increase water jet strength
- 5 Shower nozzle position forwards
- 6 Shower nozzle position backwards
- 7 Decrease water jet strength



Important

To set the water temperature, download the corresponding app to your smartphone.



Important

The appliance works even when no-one is sitting on the toilet.

5.1 ViClean-I 100 app

The ViClean-I 100 app turns your smartphone into a remote control with which you can operate your ViClean-I 100 easily via Bluetooth.

You can access and set the most important basic functions of the shower toilet.

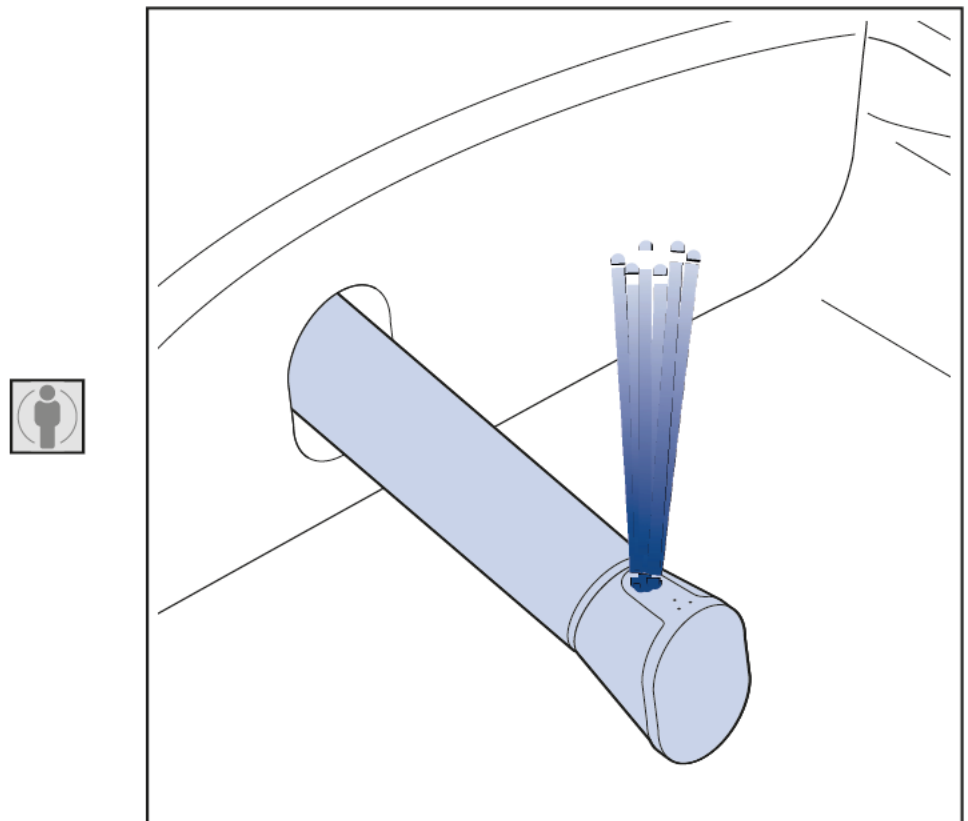
Apart from the remote control functions, the app offers other options, e.g. easy setting of the water temperature.

You can also save your preferences as a personal profile.

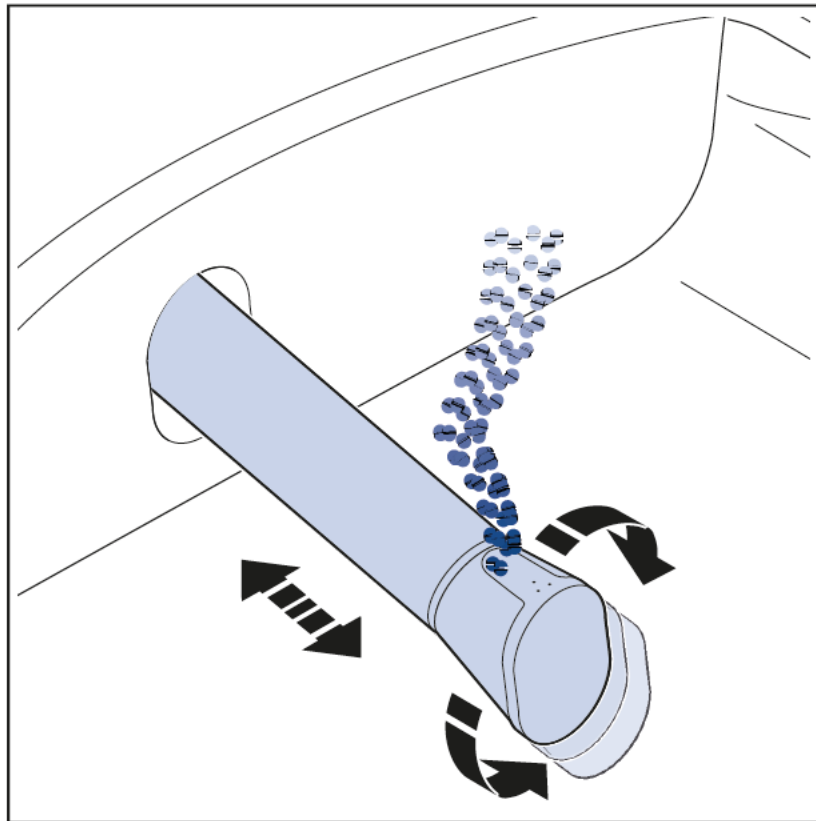
The ViClean-I 100 app is available for Android and iOS in the Google Play Store or Apple App Store.

5.2 Rear wash

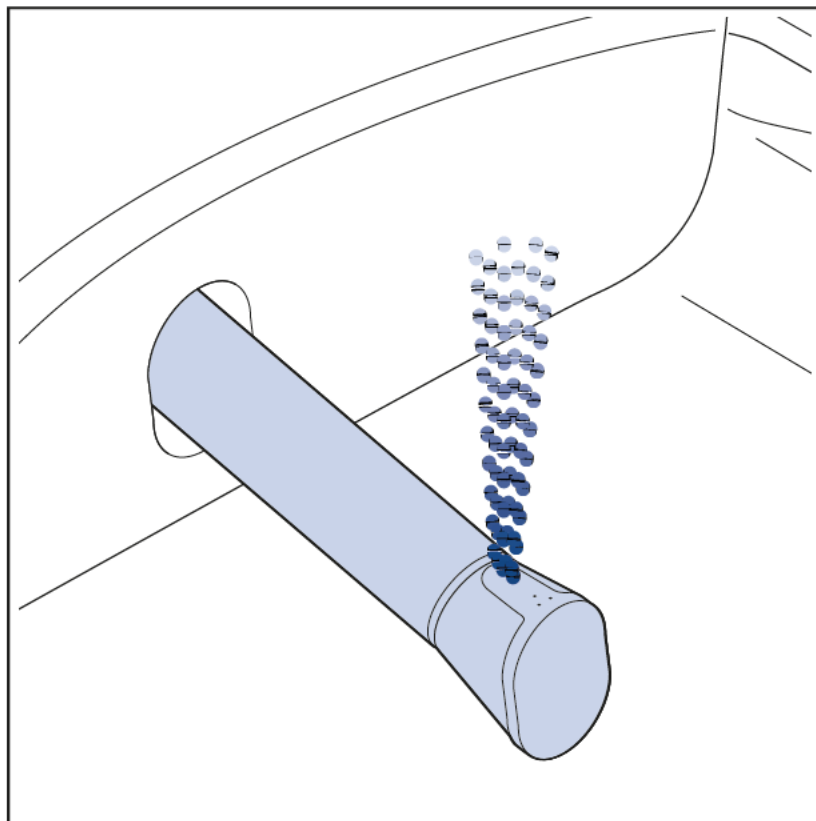
- Press the Rear wash button to activate the Rear wash without movement.



- Press the Rear wash button during the Rear wash function without movement again to activate the Rear wash with HarmonicWave.



- Press the Rear wash button during the HarmonicWave function again to activate the Rear wash with pulsating massage.



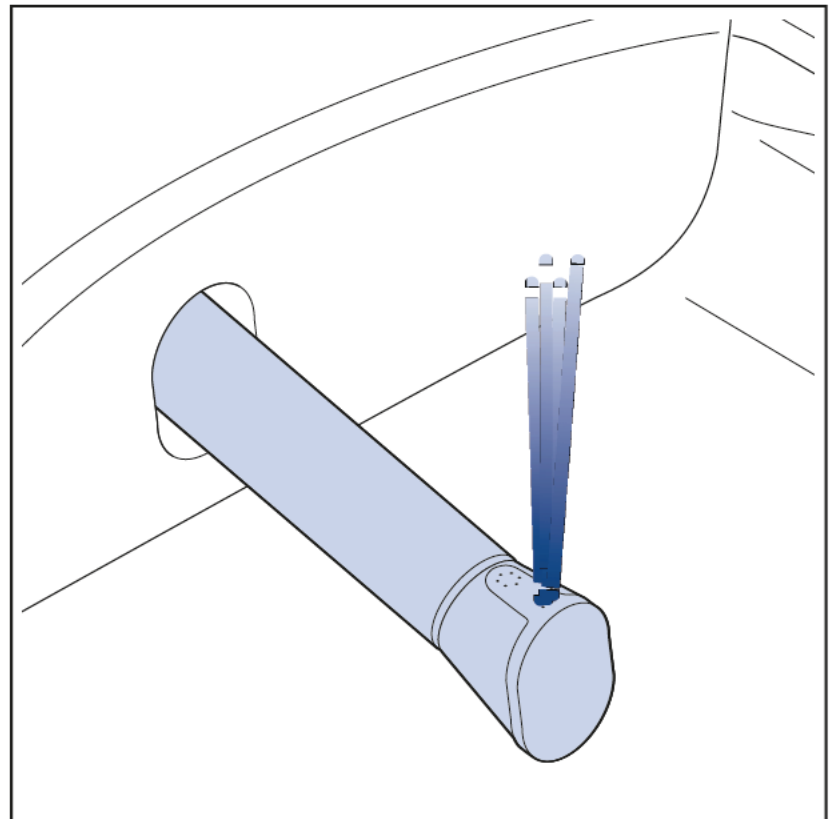
The functions are activated cyclically. When the button has been pressed four times, the cycle begins anew and the function selected at the beginning is activated again.



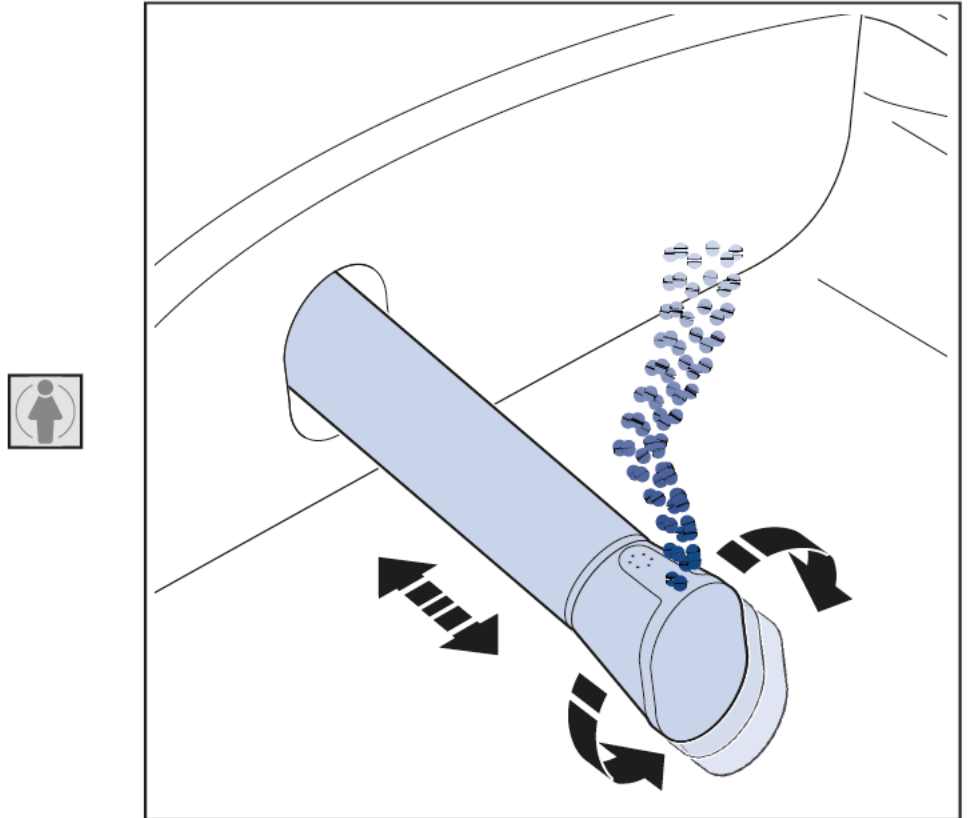
To end the Rear wash, press the stop button.

5.3 Lady wash

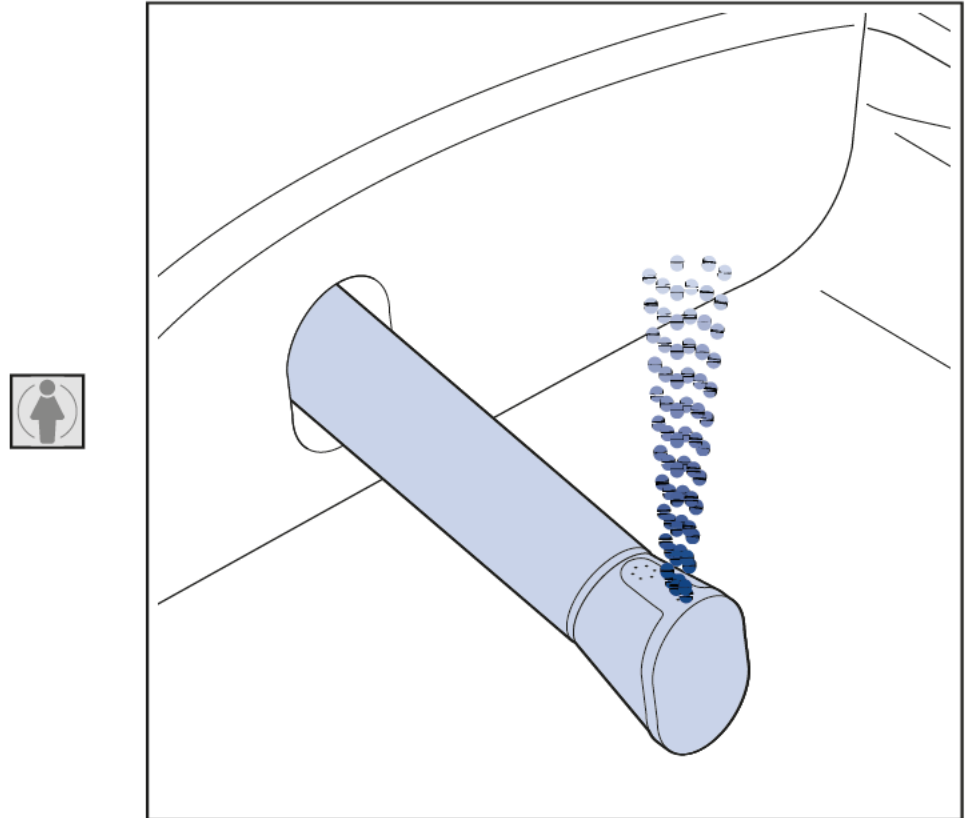
- Press the Lady wash button to activate the normal Lady wash.



- Press the Lady wash button during the normal Lady wash again to activate the Lady wash with HarmonicWave.



- Press the Lady wash button during the HarmonicWave function again to activate pulsating Lady wash mode.



The functions are activated cyclically. When the button has been pressed four times, the cycle begins anew and the function selected at the beginning is activated again.



To end the Lady wash, press the stop button.

It is also possible to end while the function is active.

5.4 Setting the nozzle

Set the shower nozzle position by repeatedly pressing the corresponding button.



The LED lights indicate the respectively set shower nozzle position.
Five different levels can be set.

Depending on the level set, the individual LED light moves from left to right or vice versa when the corresponding button is pressed.



Press the right button to move the shower nozzle forwards.



Press the left button to move the shower nozzle backwards.

The level of the nozzle positions is shown in ascending order from left to right by five adjacent LED lights. The current level set is indicated by lighting up of one of the LED lights.



Display for rear shower nozzle position.



Display for middle shower nozzle position.



Display for front shower nozzle position.

5.5 Stop



You can stop all wash functions at any time by pressing the stop button.

5.6 Water volume

Set the required water volume level by repeatedly pressing the corresponding button.



The LED lights indicate the water volume setting.
Five different levels can be set.

After pressing the respective button, the corresponding number of LEDs lights up depending on the water volume setting.



Press the right button to increase the water volume.



Press the left button to decrease the water volume.

The level of the water volume is shown in ascending order from left to right by five adjacent LED lights. The higher the volume of water is, the more LEDs light up.



Display for low water volume.



Display for medium water volume.



Display for high water volume.

6 Expert mode

In addition to the basic functions described, expert mode allows access to further functions via the remote control.



To activate expert mode, press the two buttons for regulation of the water volume simultaneously for at least five seconds.

The LEDs then light up three times indicating that expert mode has been activated.

The following functions and options can be set in expert mode:

6.1 Setting the water temperature

There are five water temperature levels available between 30 °C and 40 °C.

To set the water temperature, proceed as follows:

- Activate expert mode.



To raise the water temperature, press the button to increase the water volume.



To lower the water temperature, press the button to reduce the water volume.

For more information on the buttons, see "[Water volume](#)".

6.2 Manual cleaning of the shower nozzle

To clean the shower nozzle manually, it must be driven out/in with the remote control.

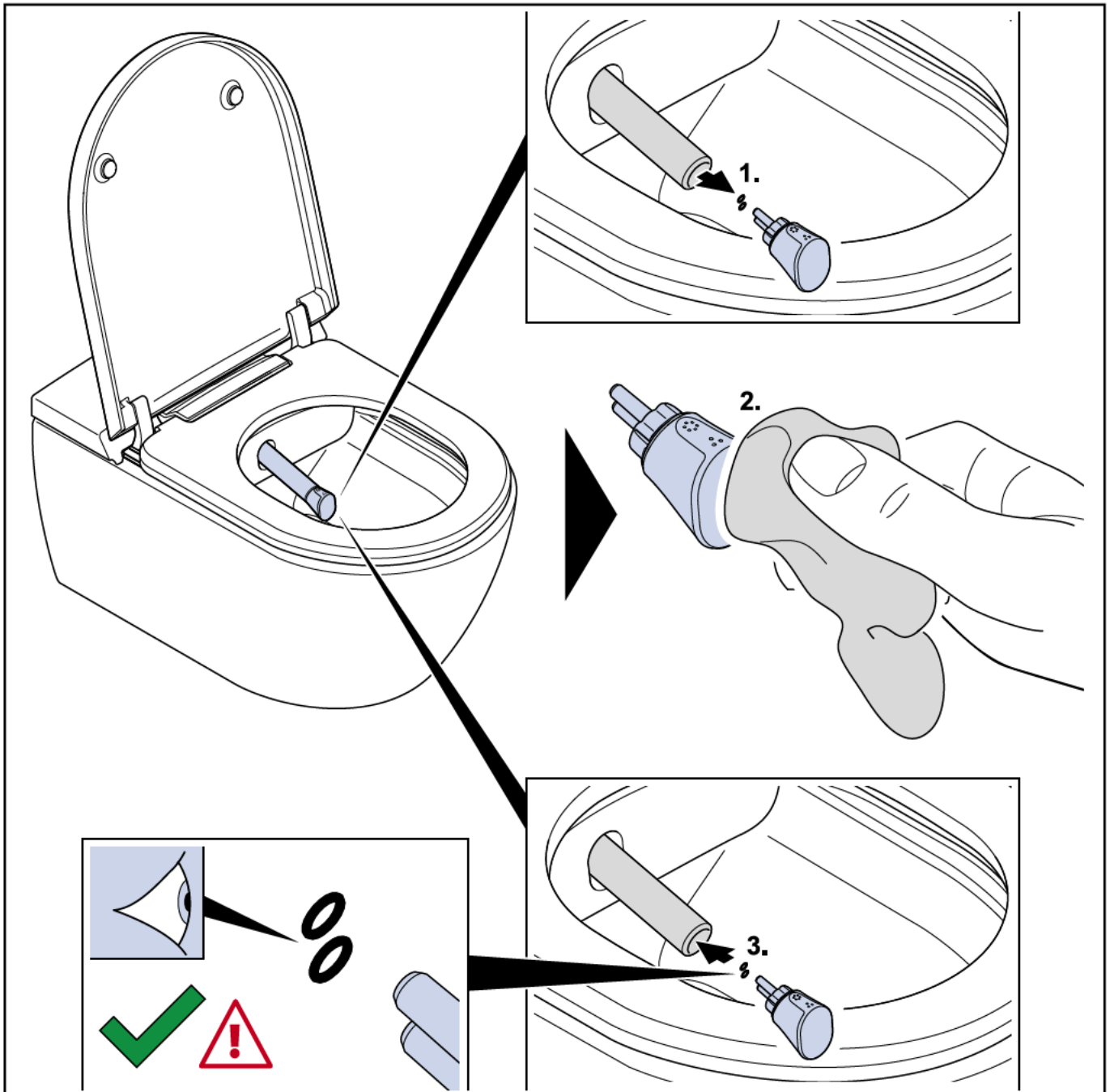
To move the shower nozzle, proceed as follows:

- Activate expert mode.



Press the button to drive the shower nozzle out.

⇒ The shower nozzle drives out of panel.



1. Remove the nozzle head.
2. Clean the nozzle head.
3. Clean the complete nozzle.
4. Insert the clean nozzle head in its mounting again.

-  Press the button to drive the shower nozzle in.

⇒ The shower nozzle now retracts.


If no button is pressed after driving the shower nozzle out, it retracts to its starting position after 10 minutes.

If the stop button is pressed while the nozzle is out, expert mode is deactivated and the shower nozzle drives back to its starting position.

6.3 Pairing of ViClean-I 100 with the remote control


Pairing denotes the connection process between ViClean-I 100 and the remote control. This function is only needed when the remote control has been replaced.

To connect the remote control to your ViClean-I 100, proceed as follows:

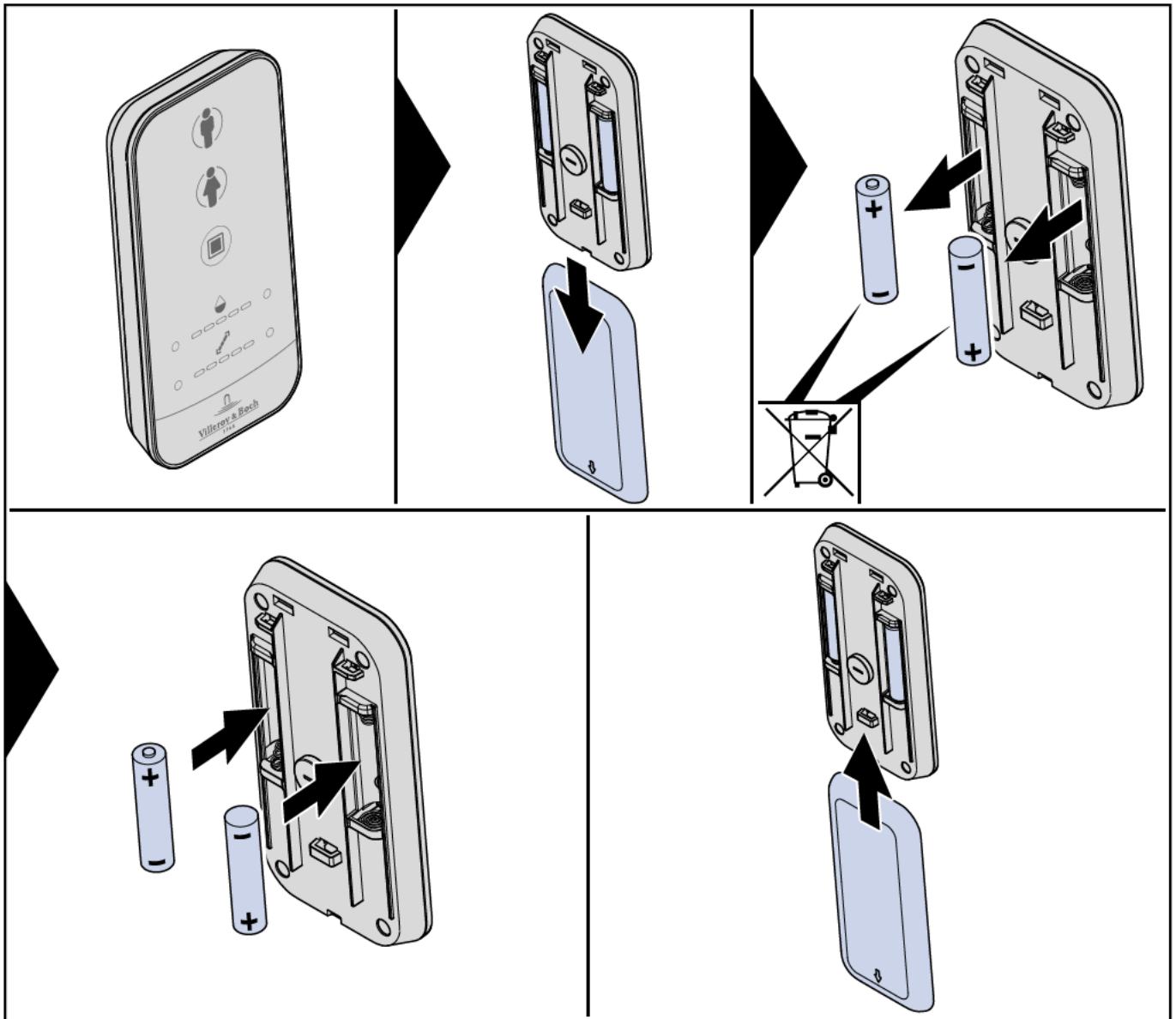
- Switch your ViClean-I 100 off.
- Activate expert mode.
-  In expert mode, press the Rear wash button.
- Pressing the Rear wash button puts the remote control in search mode. In search mode you can connect the remote control with your ViClean-I 100 via Bluetooth.
- Switch your ViClean-I 100 on.
 - ⇒ Your ViClean-I 100 connects automatically with your remote control.
 - ⇒ When the connection process has finished successfully, the remote control leaves expert mode automatically and the LEDs light up three times.

6.4 Resetting your ViClean-I 100

To reset the settings of your ViClean-I 100, proceed as follows:

- Activate expert mode.
 -  In expert mode, press the Lady wash button.
- ⇒ All settings are reset.

7 Replacing the batteries



Important

Dispose of leaking batteries correctly using gloves. Avoid skin contact. Wipe off residues with a moist cloth.



Important

Only use LR03/AAA batteries. Never use rechargeable batteries.

For correct disposal of the batteries, see "[Disposal](#)".

8 Maintenance and care



Caution!

Material damage due to cleaning agents!

Contact of the shower toilet with non-pH neutral cleaning agents or cleaning agents that contain chlorine or which are abrasive as well as the use of cleaning utensils with a rough surface can lead to damage.

- Only use water, a mild neutral cleaner and cloths with a soft surface to clean the shower toilet.
- If the shower toilet comes into contact with aggressive cleaning agents or sanitary cleaners, rinse them off immediately with clear water.



Caution!

Material damage due to water!

The remote control can be damaged by contact with water.

- Never immerse the remote control in water.
- Do not clean the remote control in a dishwasher.

8.1 General care instructions

For daily cleaning we recommend a soft, non-abrasive sponge or cloth.



Important

To clean the toilet seat, use a mild soap solution and make sure that the seat and hinges are not left damp.

Therefore, dry the toilet seat and hinges with a soft cloth.

Care instructions for persistent dirt

Thanks to the easy-care surface of ViClean-I 100, you can achieve optimal hygiene and fresh clean surfaces without resorting to aggressive detergents. If you wish to use a detergent, we recommend a standard all-purpose cleaner.



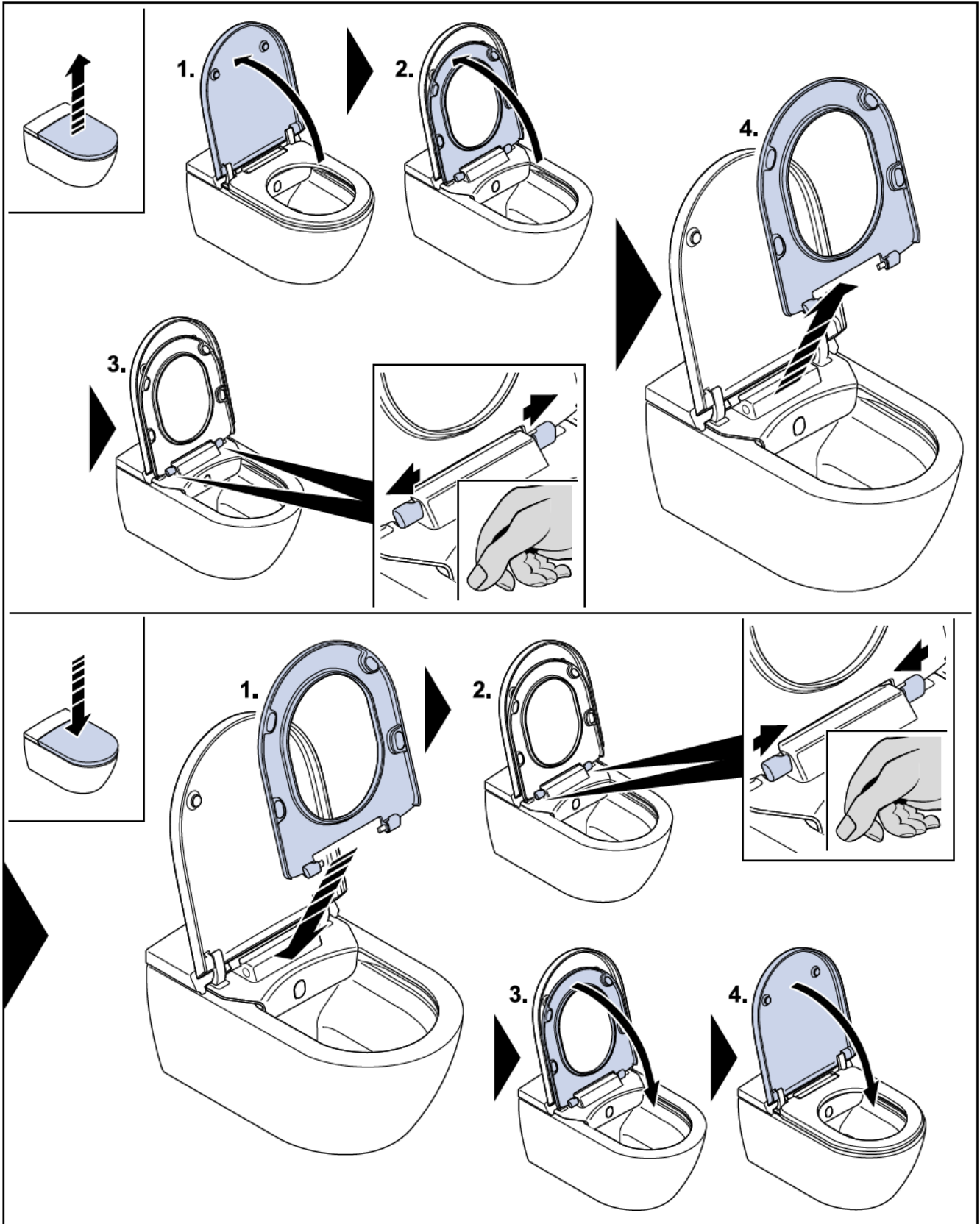
Caution!

Material damage due to cleaning agents!

The seat and lid can be damaged by contact with cleaning agents.

When cleaning, make sure that the seat and lid remain up until the cleaning agent has been rinsed away.

8.2 QuickRelease



Dismounting

1. Open the lid.
2. Open the seat.
3. Pull the two clips outwards.
4. Remove the seat.

Mounting

1. Place the seat in the right position.
2. Press the two clips inwards.
3. Close the seat.
4. Close the lid.

9 Fault rectification

If your ViClean-I 100 still does not work after correcting the fault, contact our hotline and state the error code on the service display.

Use the following table for troubleshooting.

Troubleshooting	
Check the water supply	Is the water supply in your residence working?
	Is the main cock closed?
Check the power supply	Is there a power failure?
	Check the residual current circuit breaker for your bathroom and reset if applicable.
Recalibrate your ViClean-I 100	Switch off your ViClean-I 100 and then switch it on again after a few seconds.
Check whether the service display lights up.	Check whether the switch at the service display of the ViClean-I 100 is turned to ON. Check whether the circuit breaker in the fuse box is ON.
Check whether the remote control is working properly.	Check whether the batteries are empty. If so, replace the batteries. Protect the remote control against contact with water.

To correct faults, use the following table.

Problem	Possible solution
ViClean-I 100 does not work	<p>Check the service display. "00" is normally shown.</p> <p>If no code is shown, check the power supply.</p>
ViClean-I 100 does not respond to the remote control	<p>Check whether the batteries have been placed in the remote control correctly.</p>
	<p>Check whether the corresponding lights on the remote control light up when the buttons are pressed. If not, replace the batteries.</p>
ViClean-I 100 does not respond although the lights on the remote control light up	<p>Start up your ViClean-I 100 with the ViClean app (see "ViClean-I 100 app", page 16).</p>
	<p>Replace the remote control if necessary.</p>
	<p>If operation is not possible, check the service display and contact our customer service.</p>

Problem	Possible solution
Water	
Insufficient water pressure	Increase the setting with the remote control or ViClean app (see " ViClean-I 100 app ", page 16).
	Clean the filter.
	Tighten all water connection nuts if necessary.
Insufficient water temperature	Increase the water temperature with the ViClean app (see " ViClean-I 100 app ", page 16).
	If the temperature in the bathroom is low, the water temperature can also be low at the start of the wash.
	If there is a number in the service display under the rear cover (see " Product description ", 3), inform our customer service of it.

Problem	Possible solution
Shower nozzle	
Shower nozzle does not drive out	Switch off your ViClean-I 100 and then switch it on again after a few seconds.
	Check the service display and contact our customer service.
Shower nozzle drives out too slowly	When the Lady or Rear wash function is activated, the shower nozzle is cleaned for a few seconds before driving out. This is normal and not a fault.
The jet of water from the shower nozzle stops suddenly	The wash is stopped after two minutes and the shower nozzle then drives in again automatically. This is normal.

10 Disposal



Recycle electronic equipment, or dispose of properly. Remove any batteries before disposing of electronic equipment. Do not dispose of electronic equipment in household waste.

Observe local regulations.



Recycle batteries, or dispose of properly. Do not dispose of batteries in household waste.

Observe local regulations.

VILLEROY & BOCH

GERMANY

*Villeroy & Boch AG
Bathroom and Wellness Division
Headquarters
66693 Mettlach
Germany*

Tel: +49 (0) 68 64 / 81 0

Fax: +49 (0) 68 64 / 81 1484