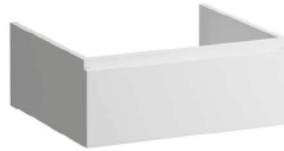


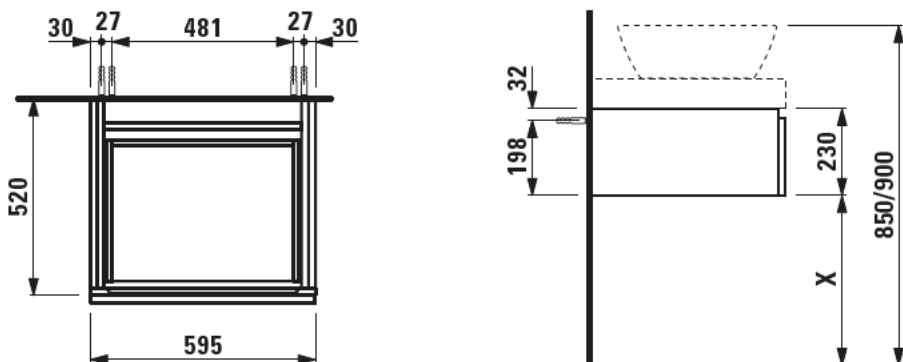
Drawer element
40521.2



TECHNICAL DATA

| | | | |
|-----------------------|--|----------------------|--|
| Order no. | 40521.2 / 1 drawer | Mounting information | The walls installed on must meet the requirements of the furniture in terms of weight and the supplied fastening elements. If this cannot be guaranteed another method of installation needs to be chosen. |
| Dimensions (WxHxD) | 595 x 230 x 520 mm | | |
| Specification | Body/Front – MDF board with PVC foil Integrated handle on the top of the drawer Without top for mounting under washtop | Colours | 463 – White 519 – Chalked oak 548 – Anthracite oak |
| Special specification | In combination with washtop | | |
| Weight | 17,5 kg | | |
| Accessories excl. | Towel rail, anodized aluminium, order no. 49095.2 Space saving siphon, order no. 89424.0 | | |
| Mounting acc. incl. | Installation set, order no. 49137.8 | | |

TECHNICAL DRAWINGS / S 1 : 20



X = The exact height must be set during installation.