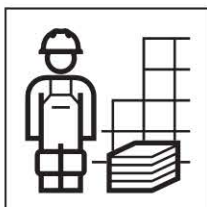
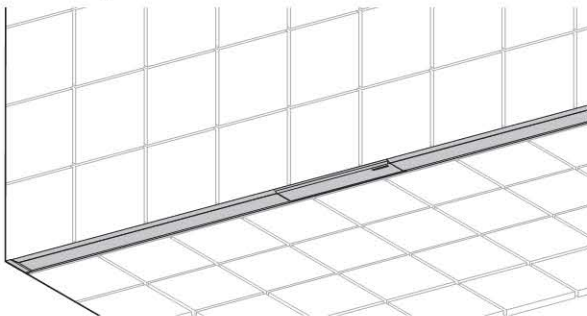
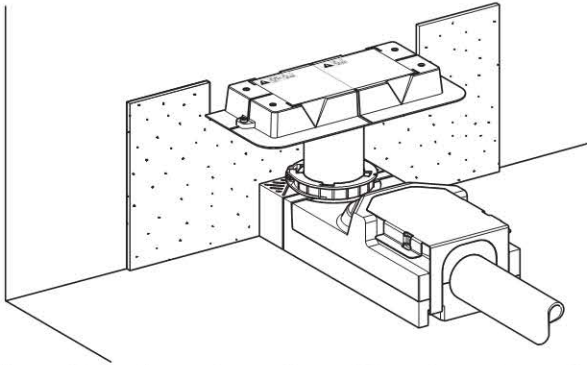


Installation Manual

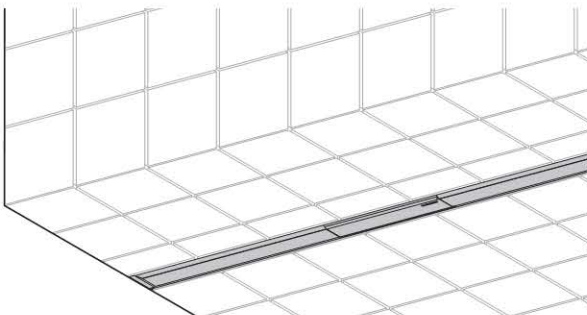
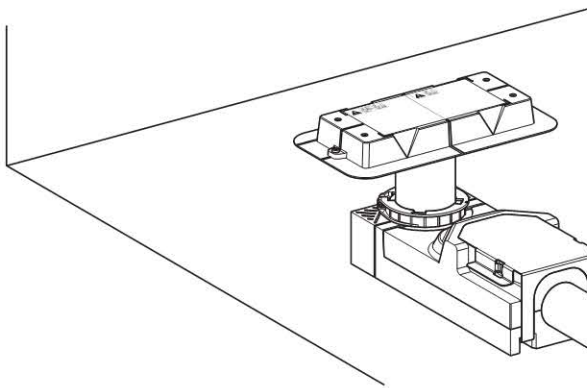
Montageanleitung
Instructions de montage
Istruzioni per il montaggio



i



→ **A**

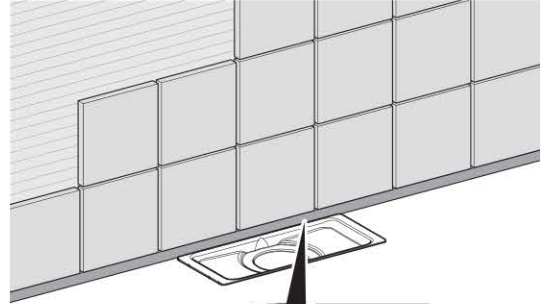


→ **B**

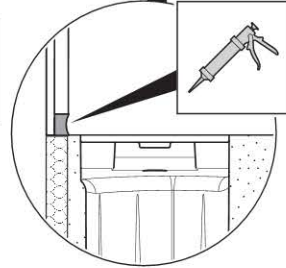


A

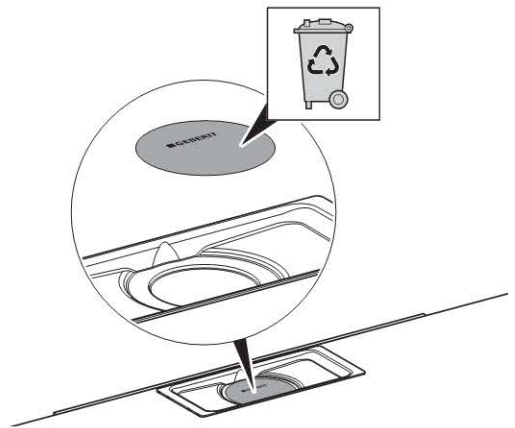
1



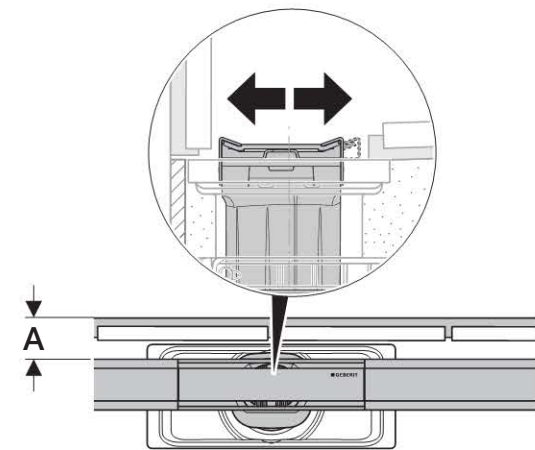
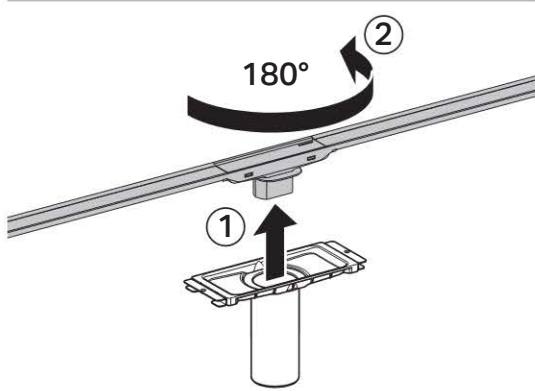
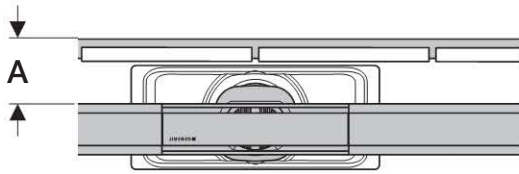
dB)))



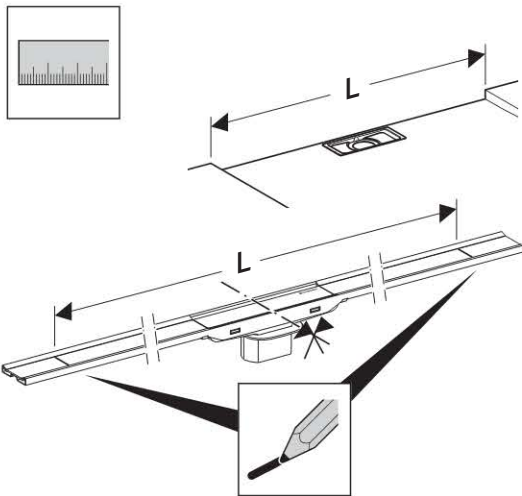
2



i

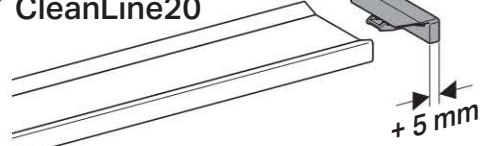


3

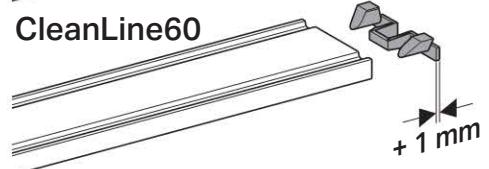


i

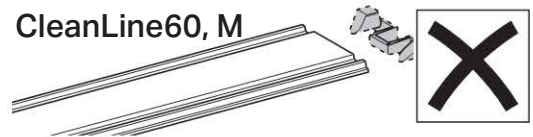
CleanLine20



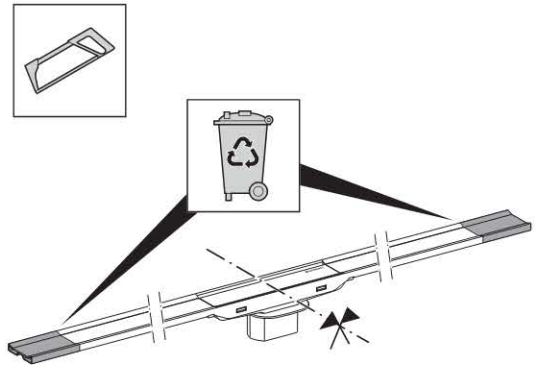
CleanLine60



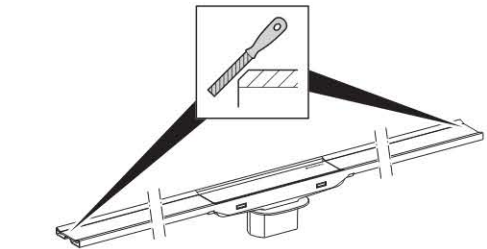
CleanLine60, M



4

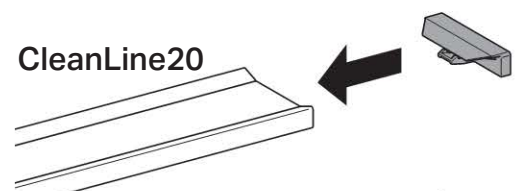


5

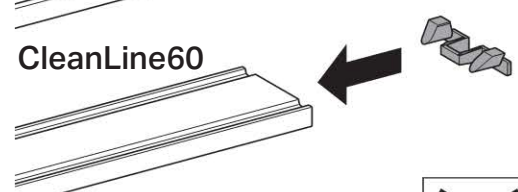


6

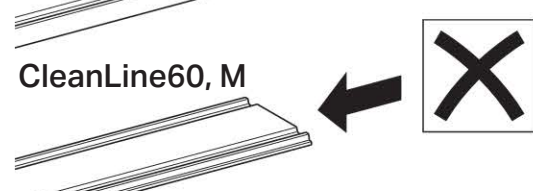
CleanLine20

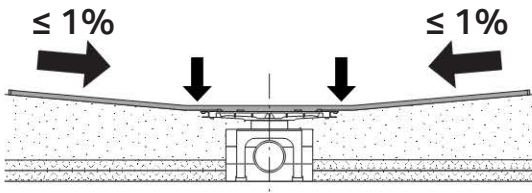


CleanLine60

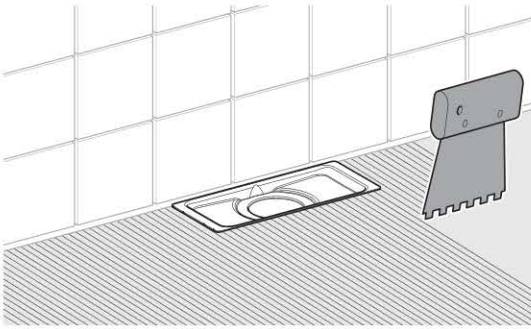


CleanLine60, M

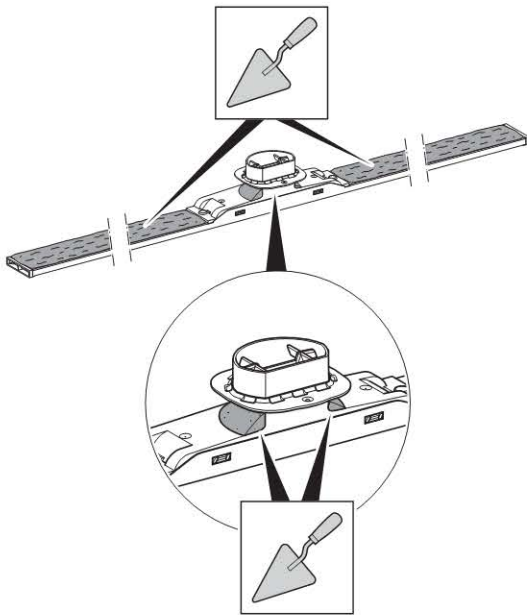




7



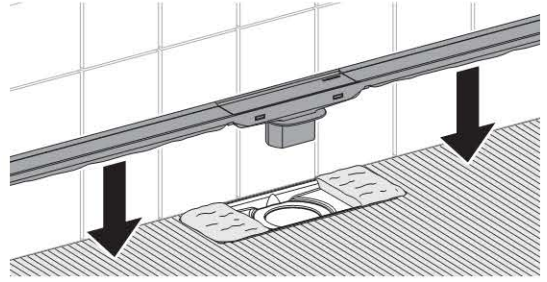
8



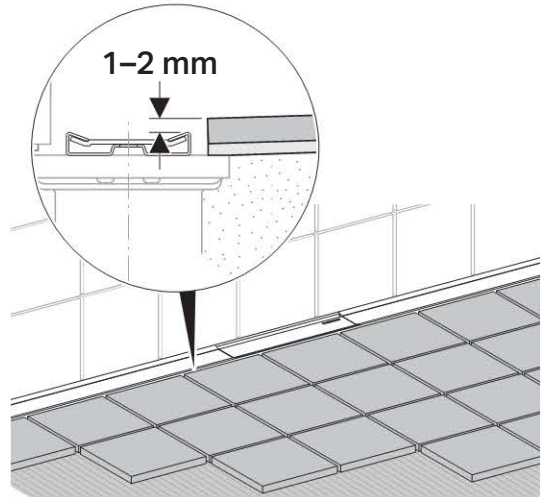
9



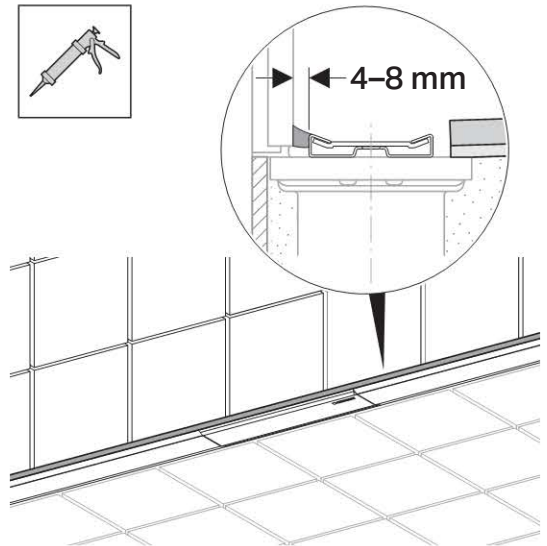
10



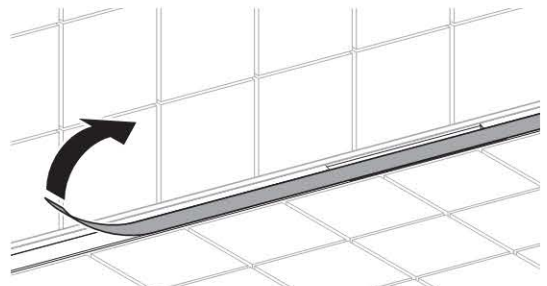
11



12

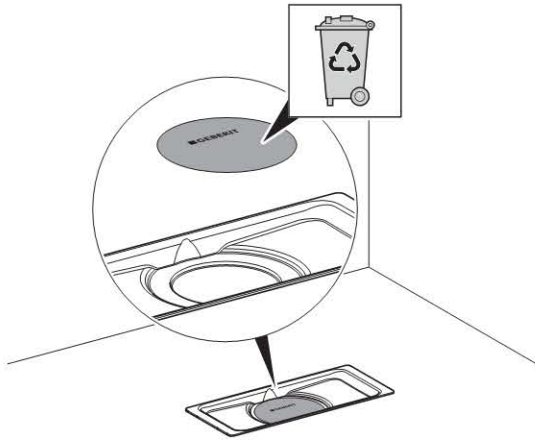


13

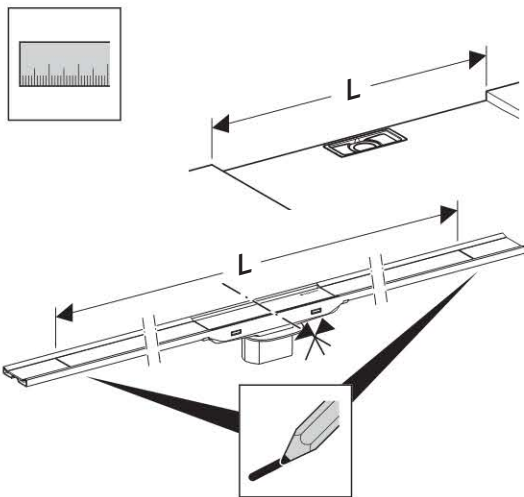


B

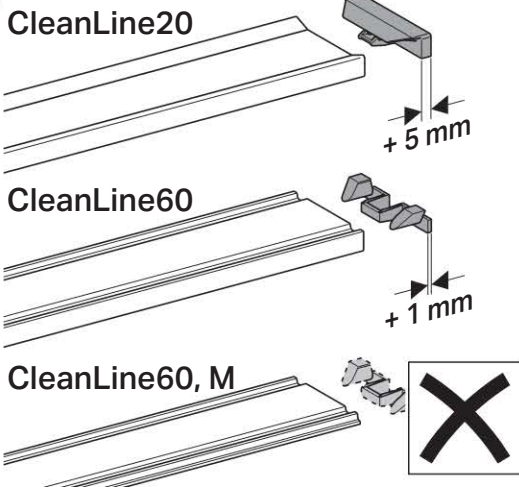
1



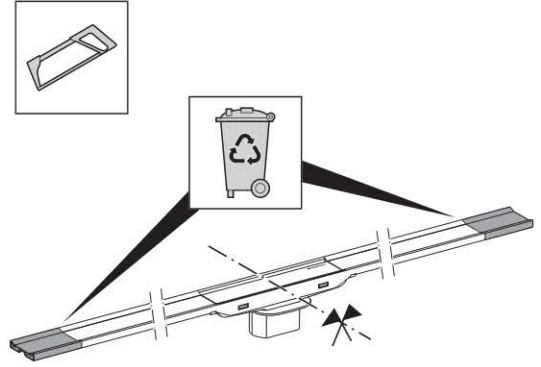
2



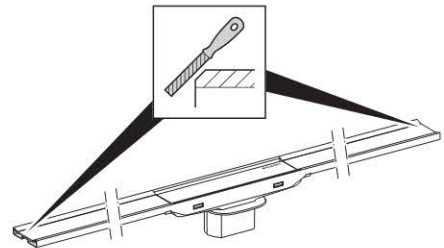
i



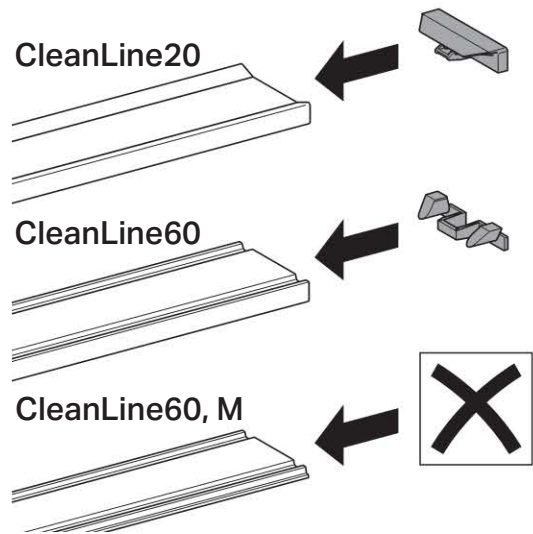
3



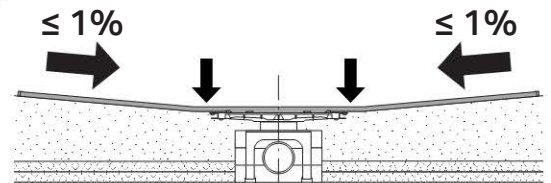
4



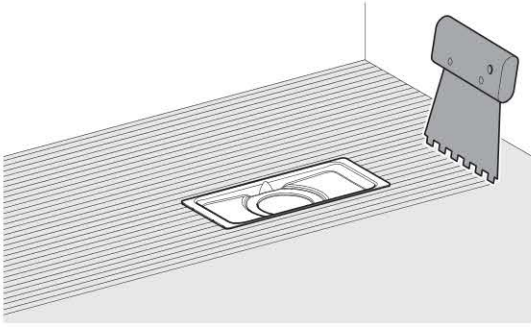
5



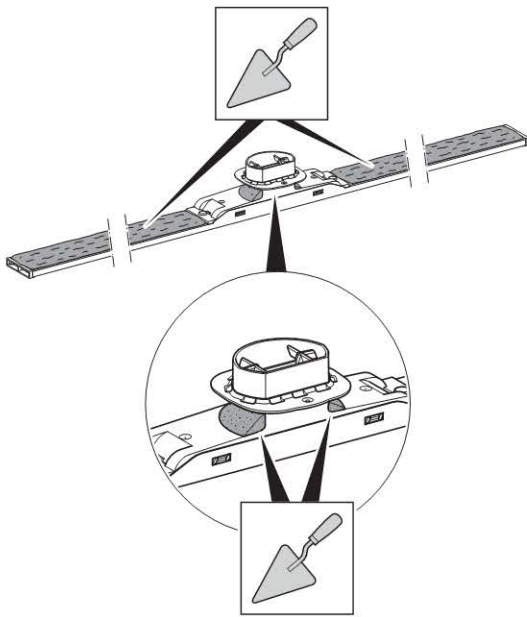
i



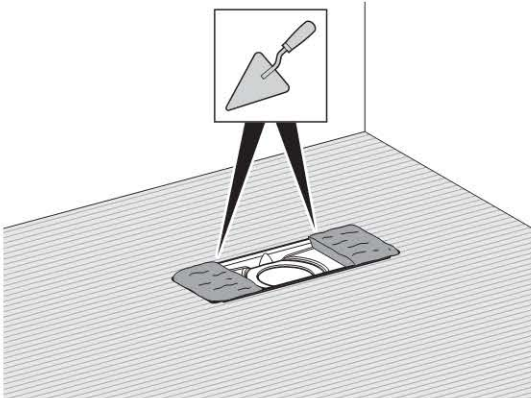
6



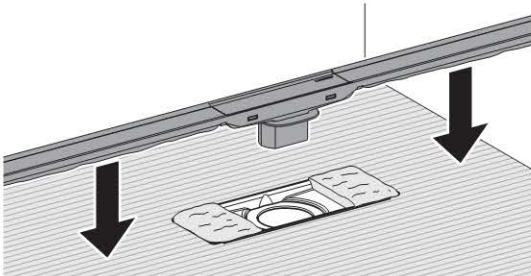
7



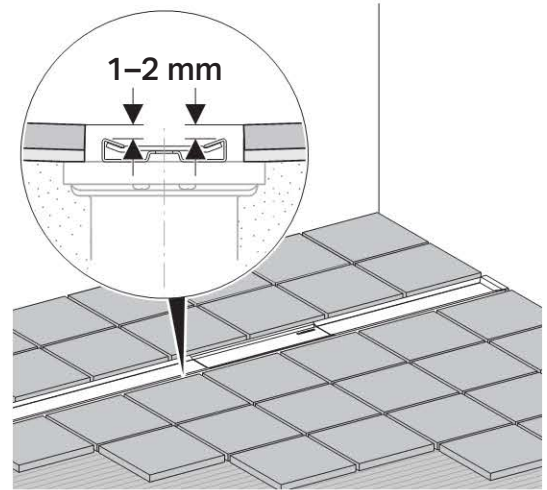
8



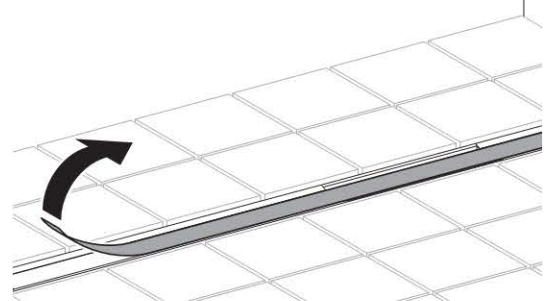
9



10

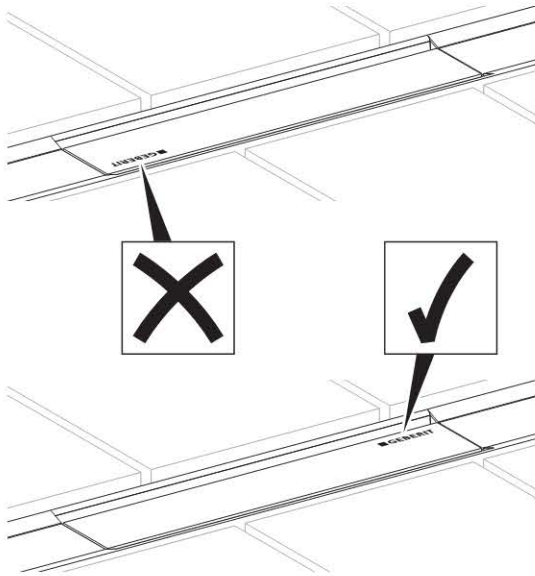


11

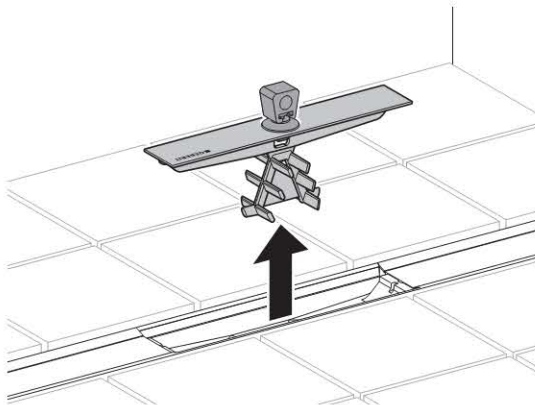




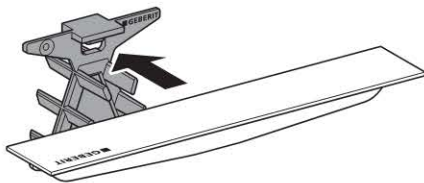
1



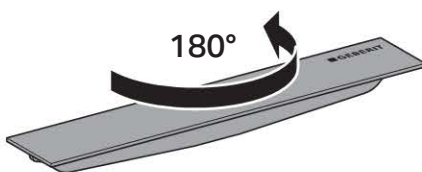
2



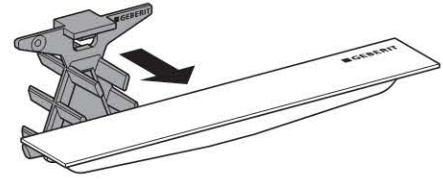
3



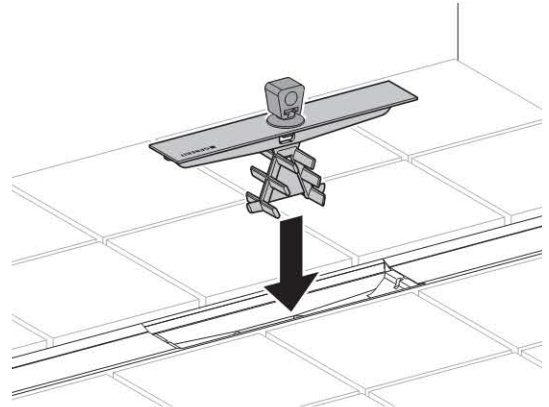
4



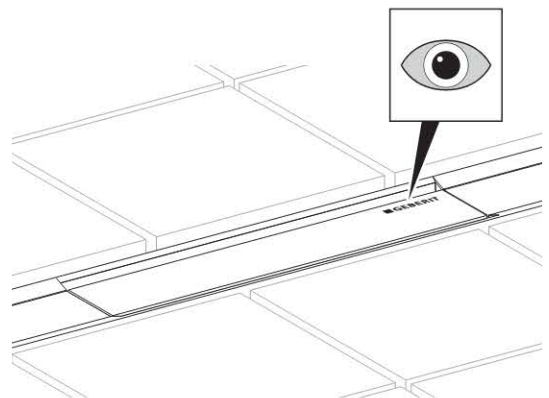
5



6



7



Geberit International AG
Schachenstrasse 77
CH-8645 Jona

T +41 55 221 63 00
F +41 55 221 63 16
documentation@geberit.com

→ www.geberit.com