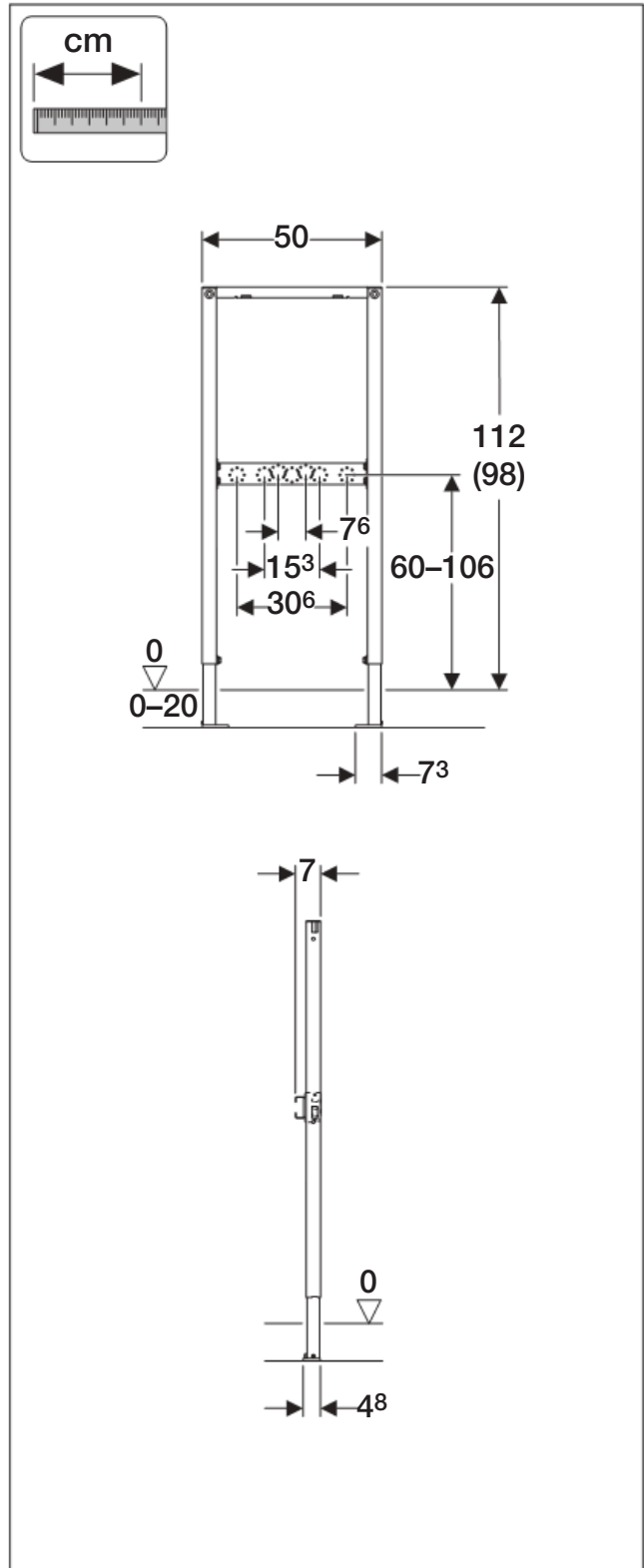
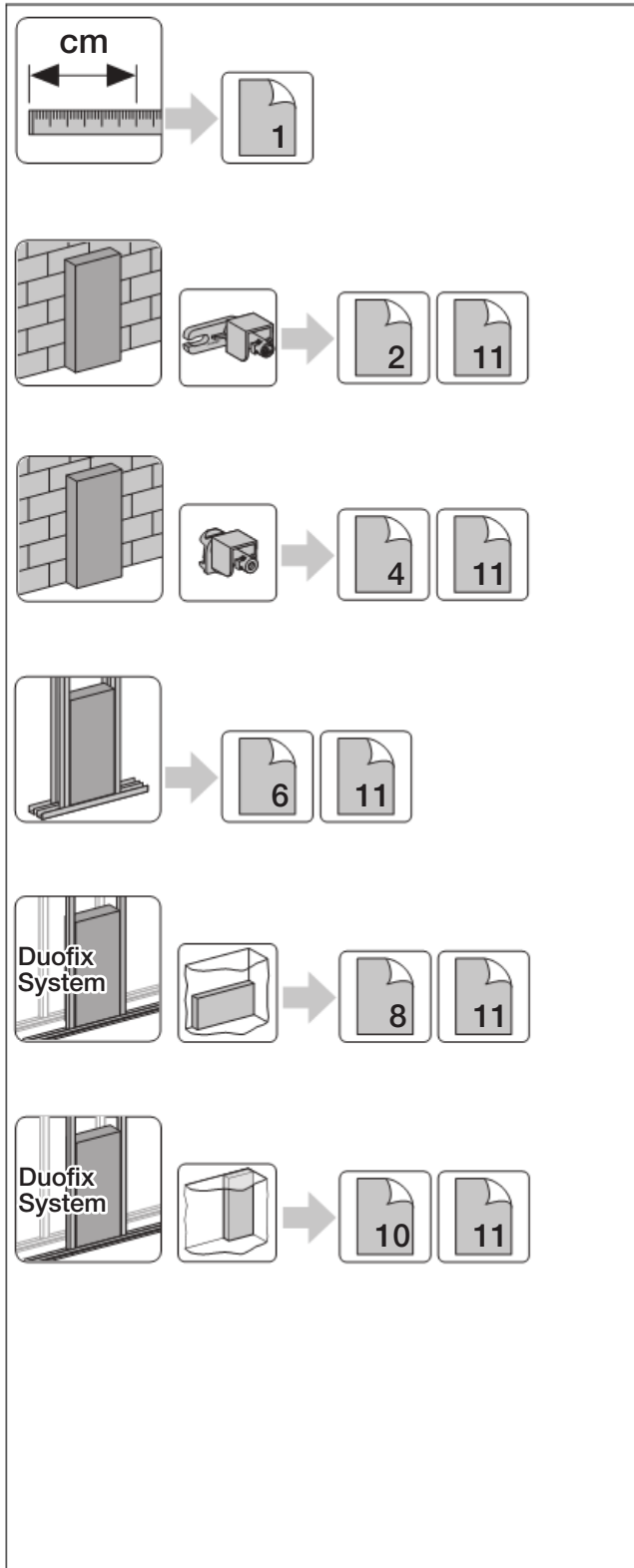
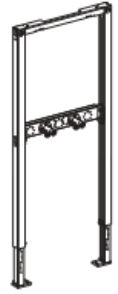


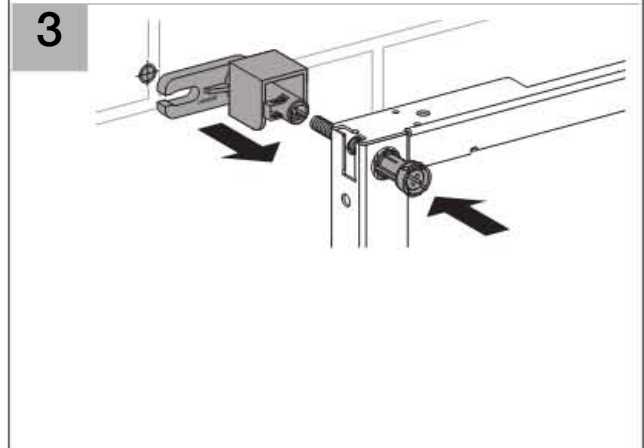
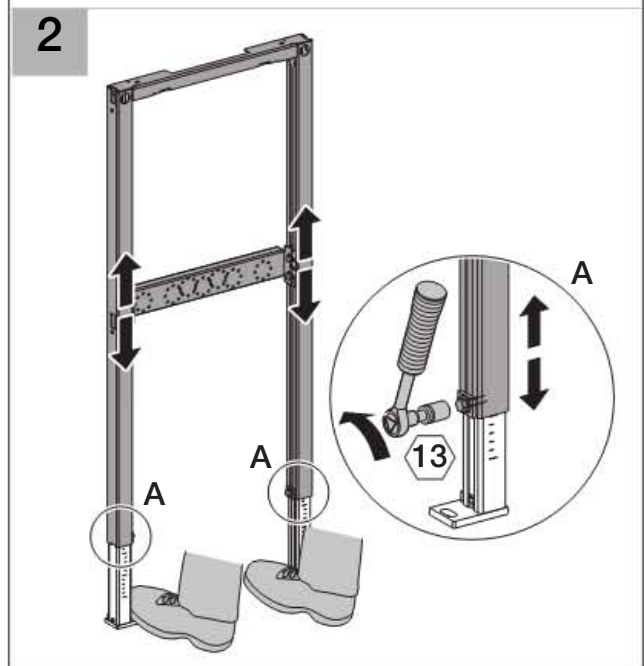
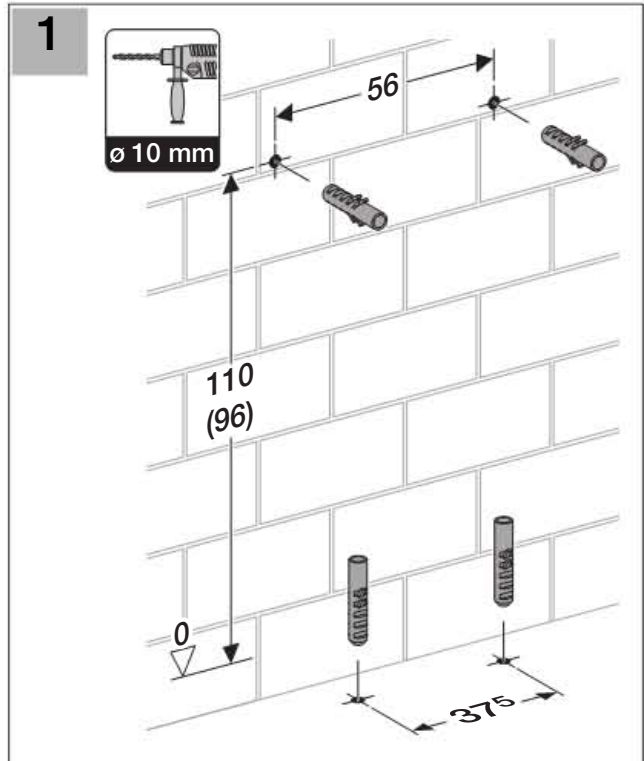
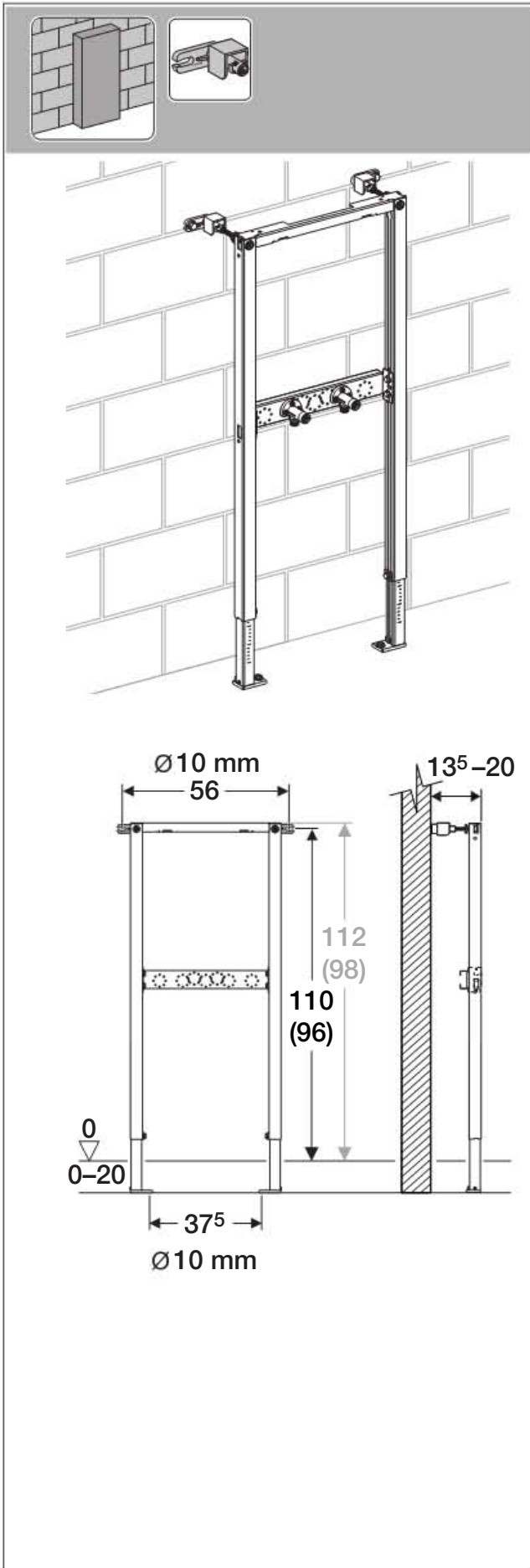
# Installation

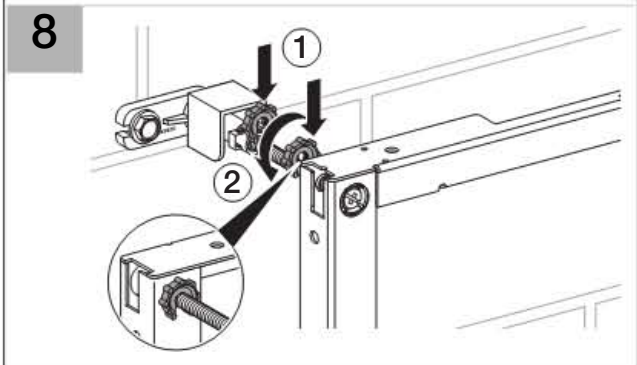
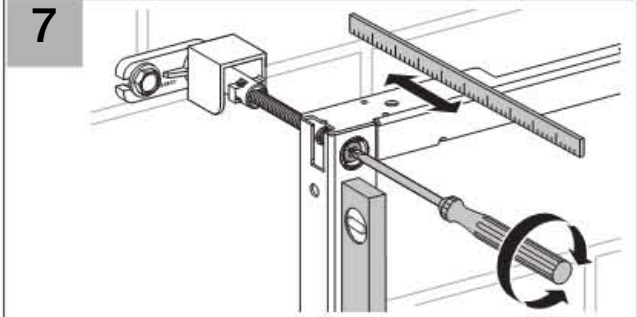
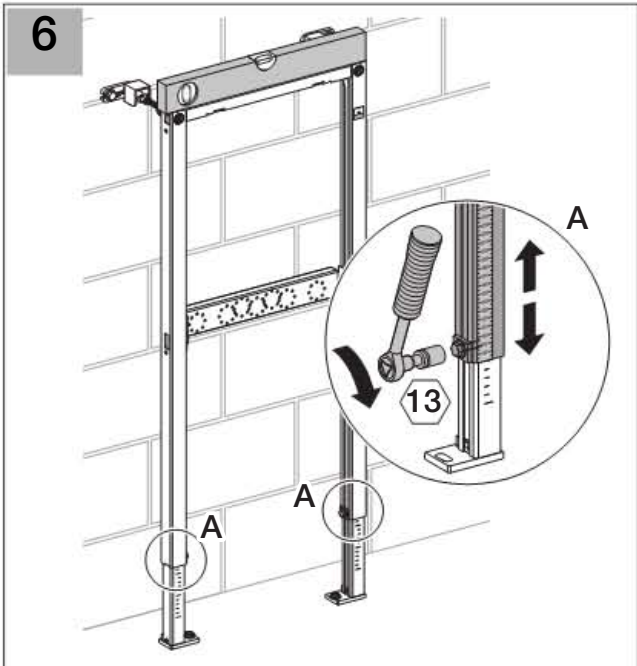
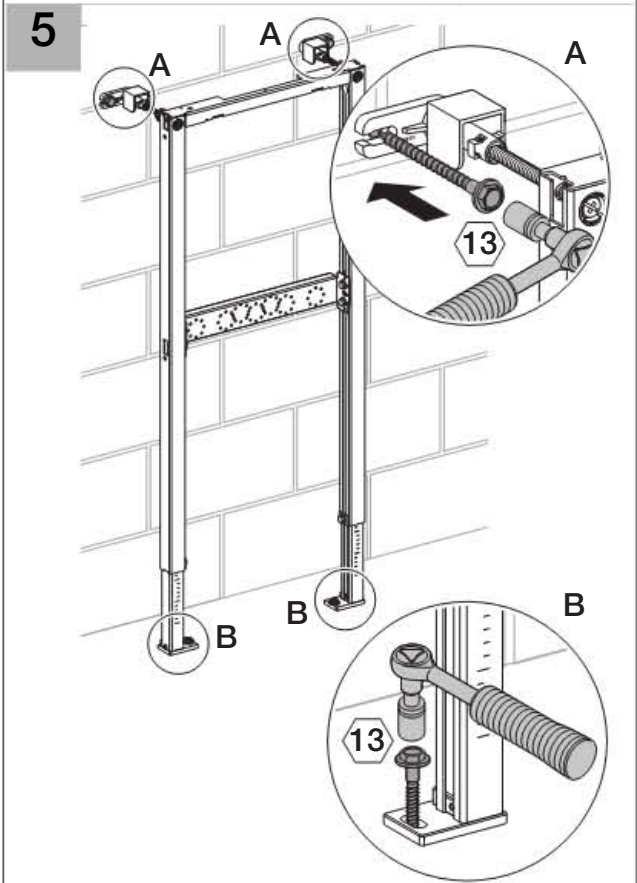
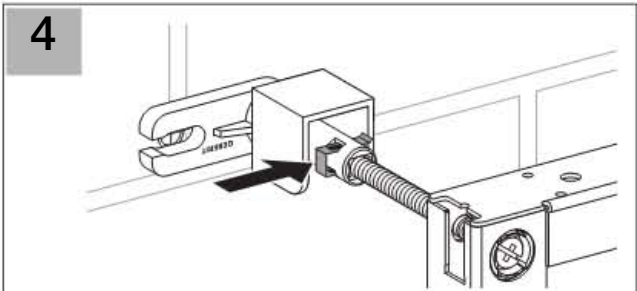
**■ GEBERIT**



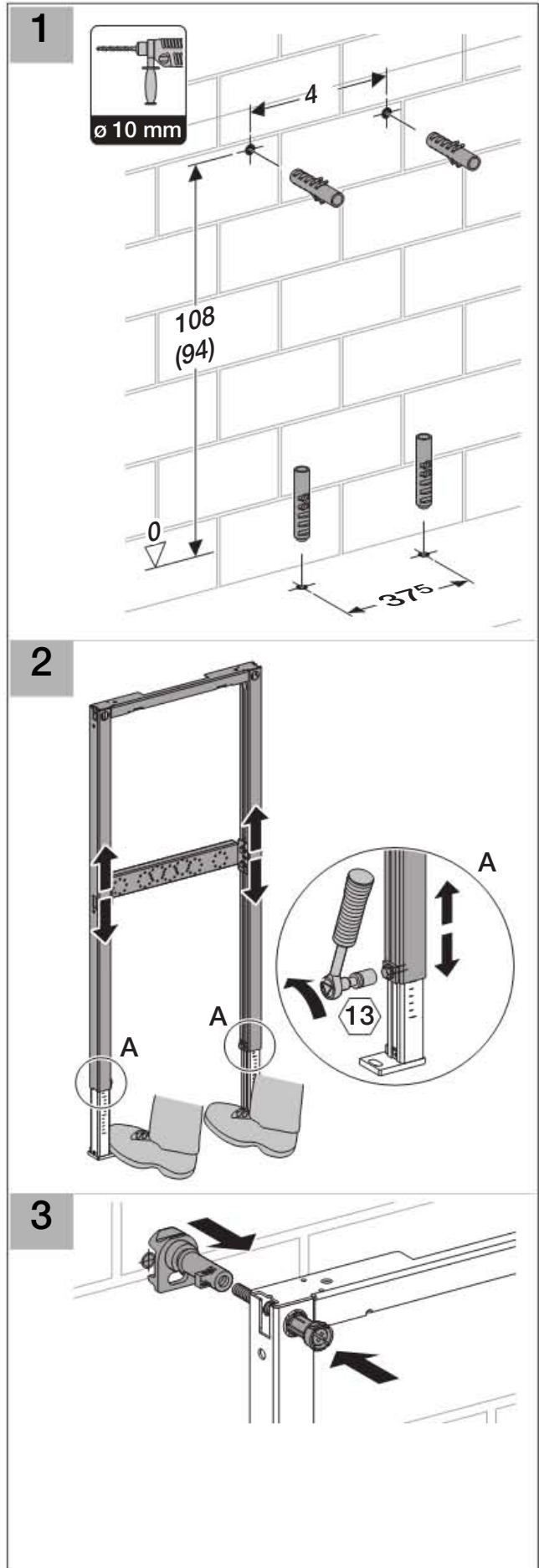
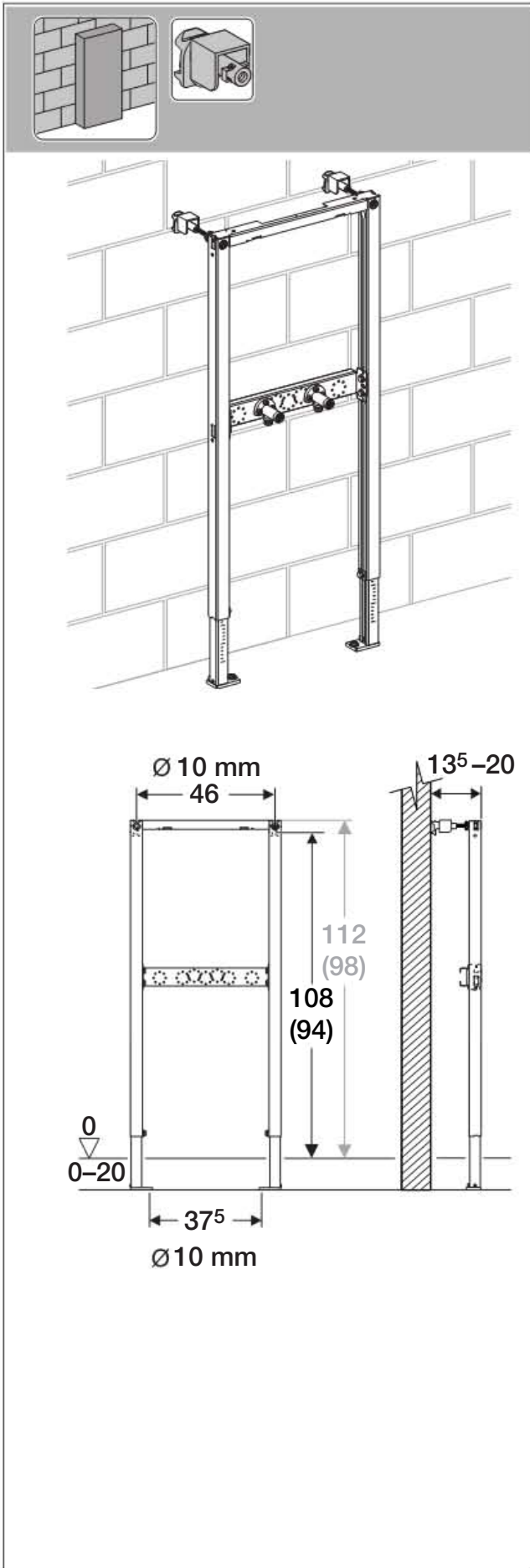
D25662-002 © 11-2010

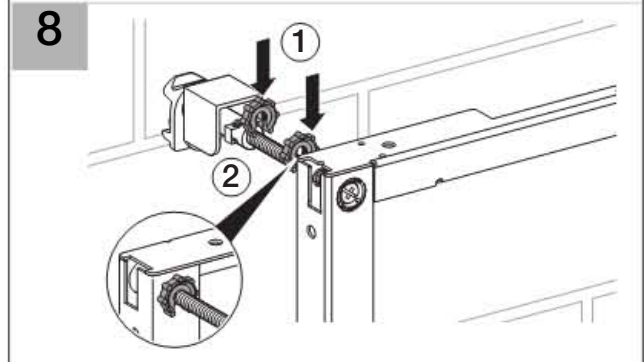
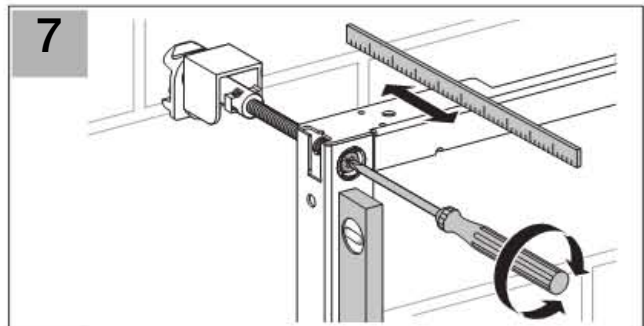
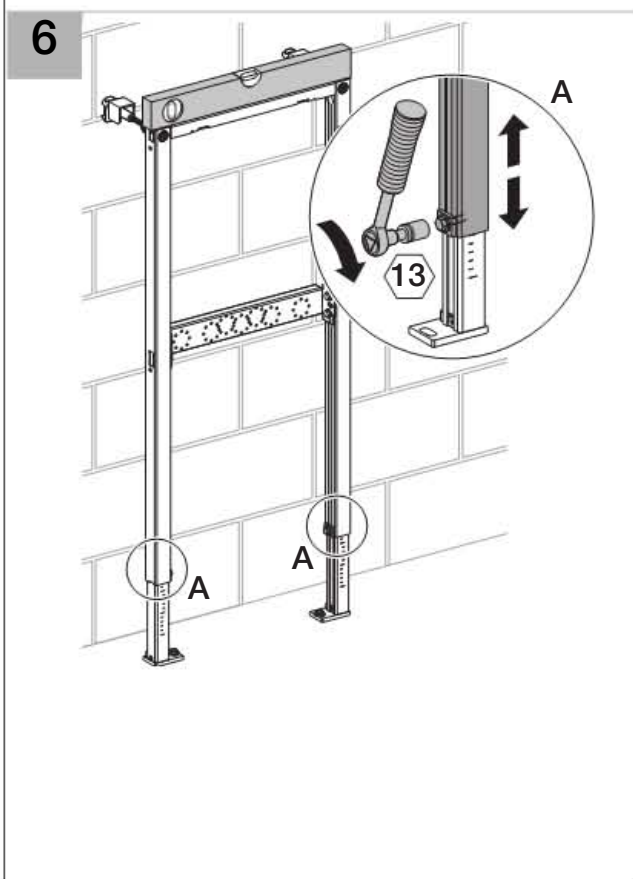
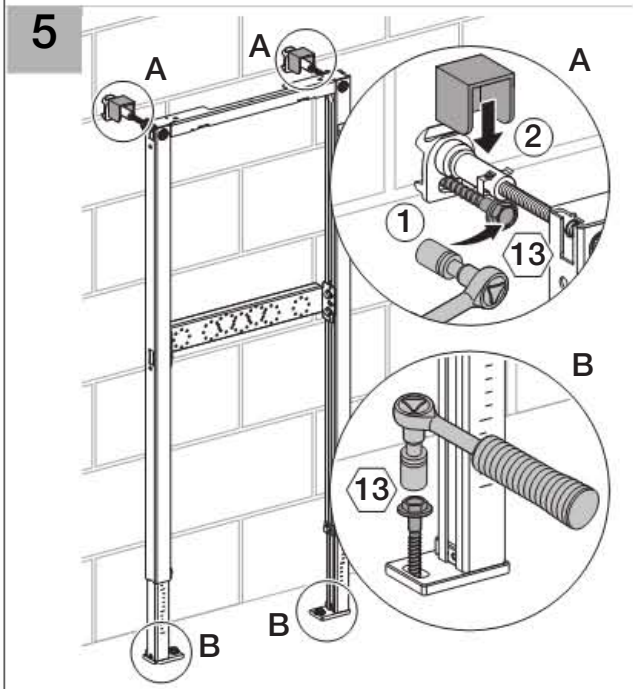
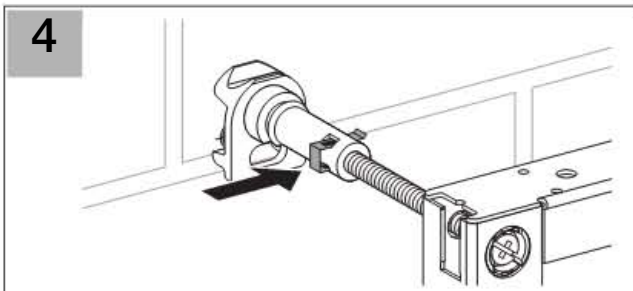
# Installation

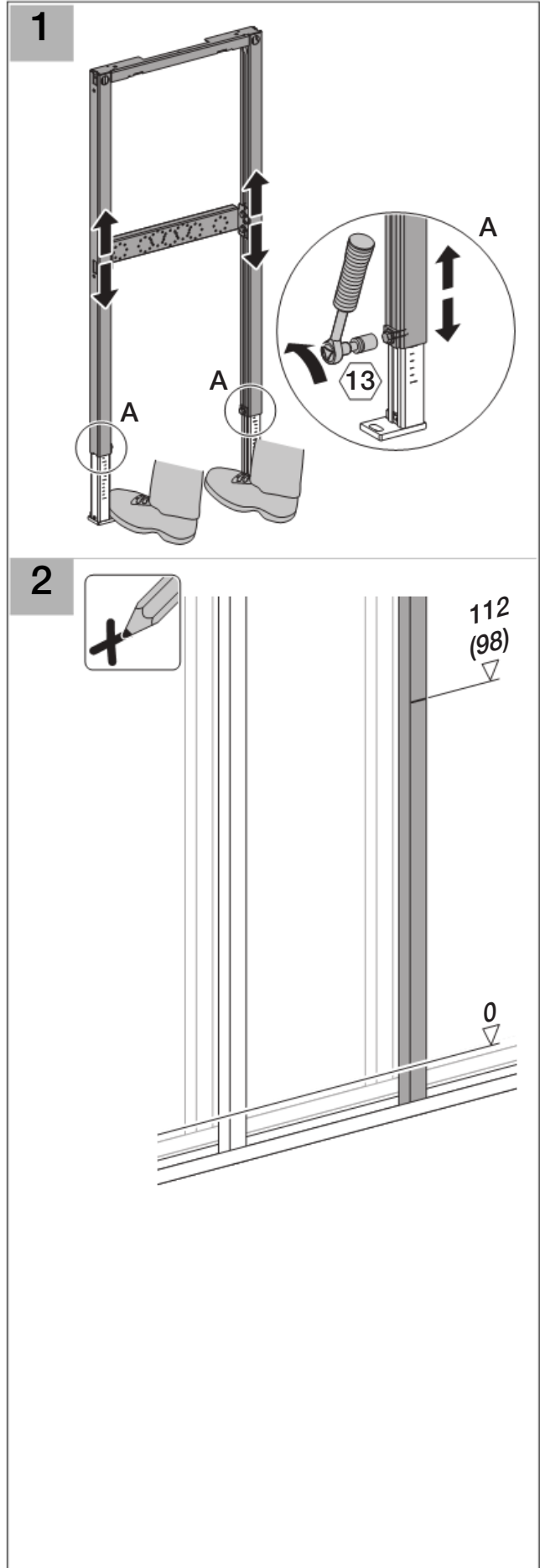
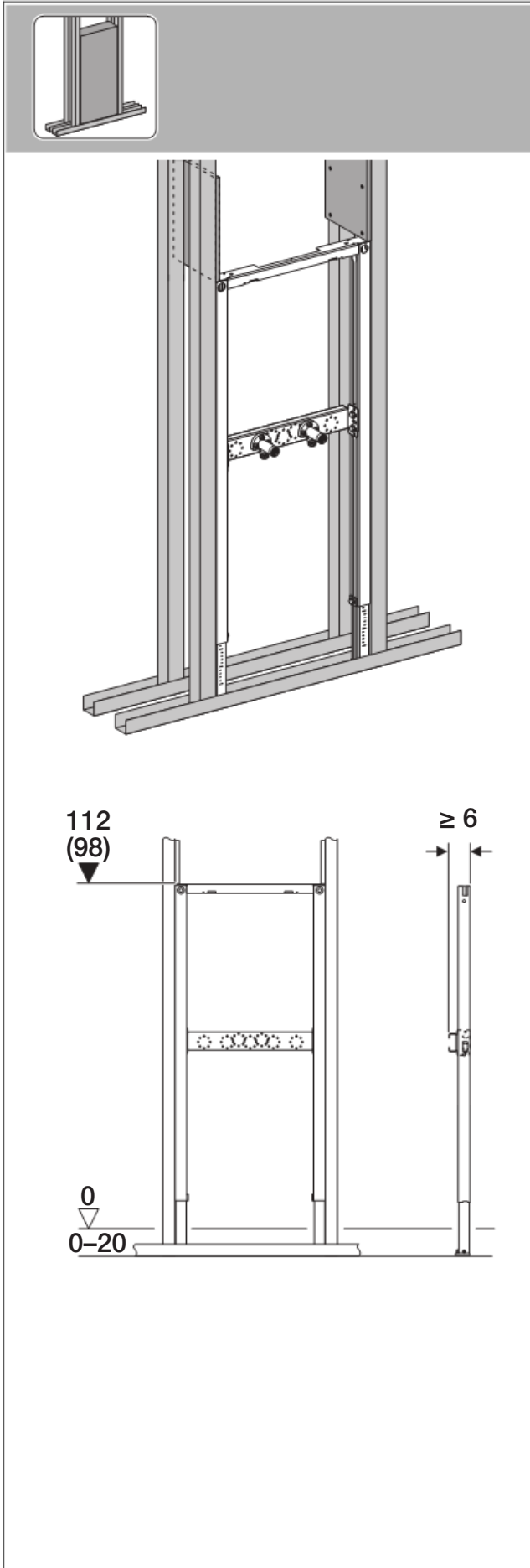


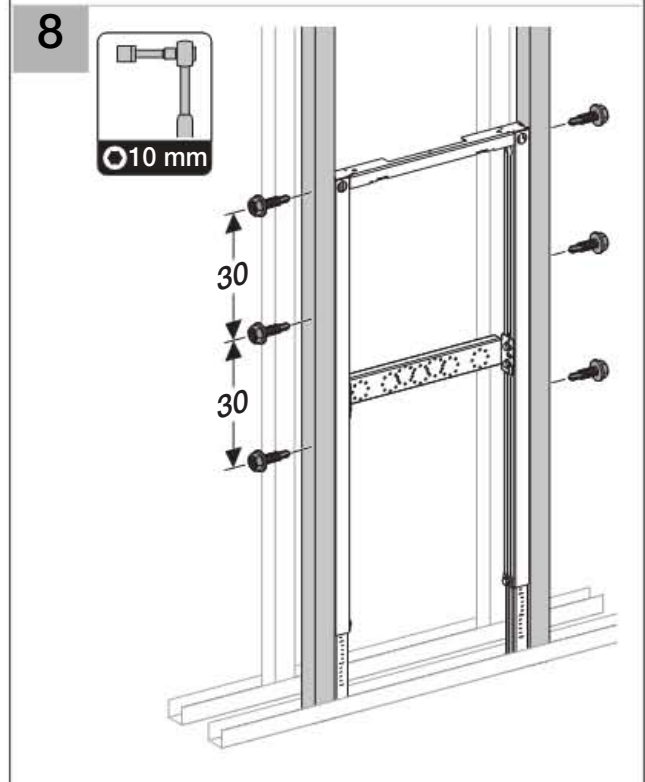
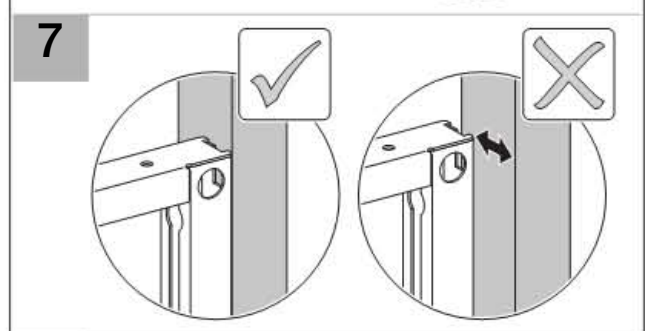
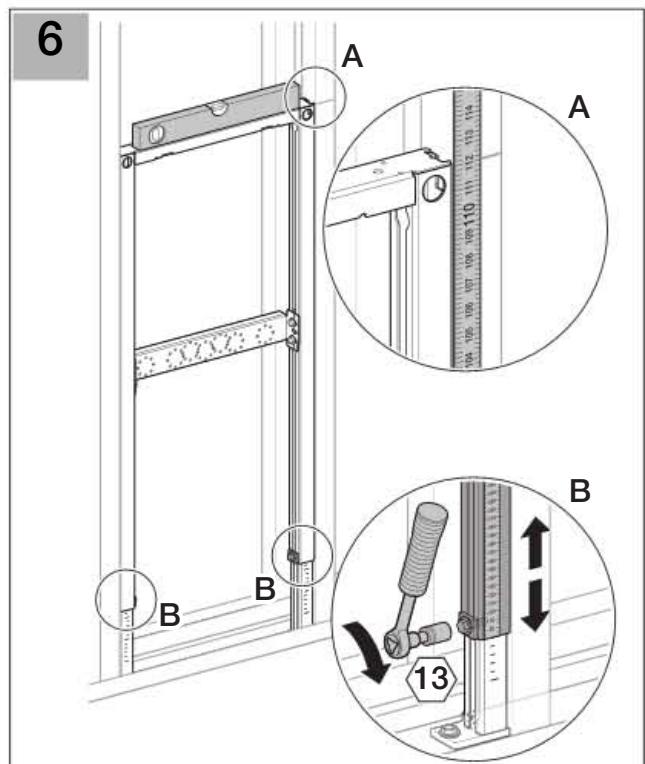
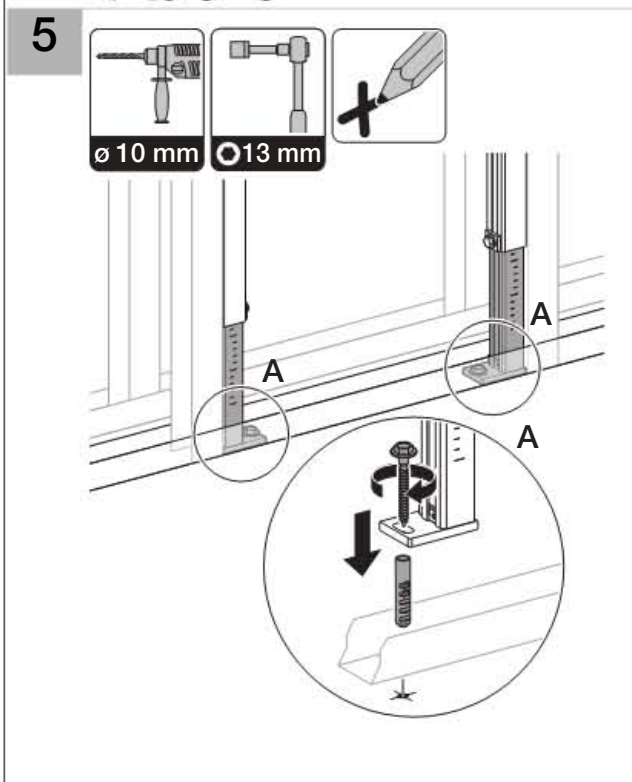
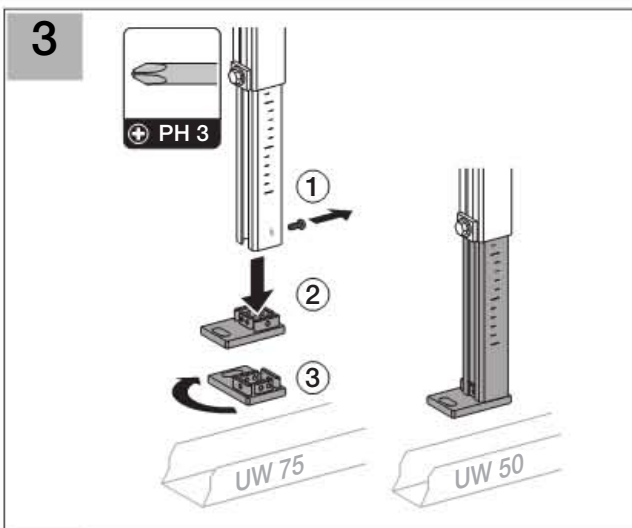


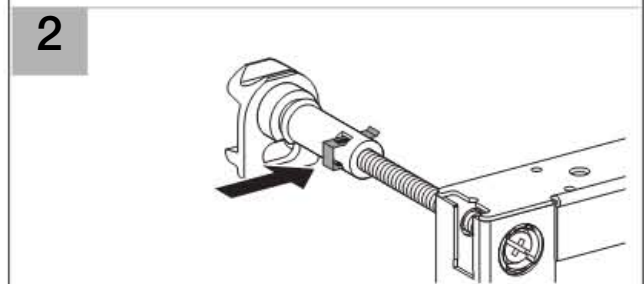
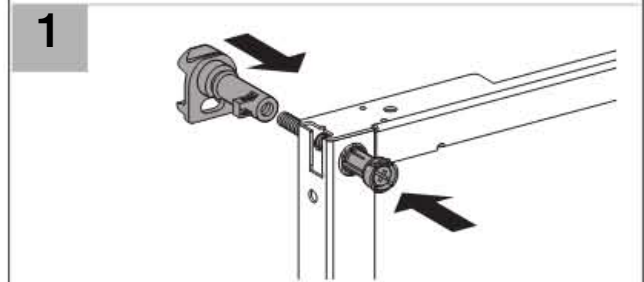
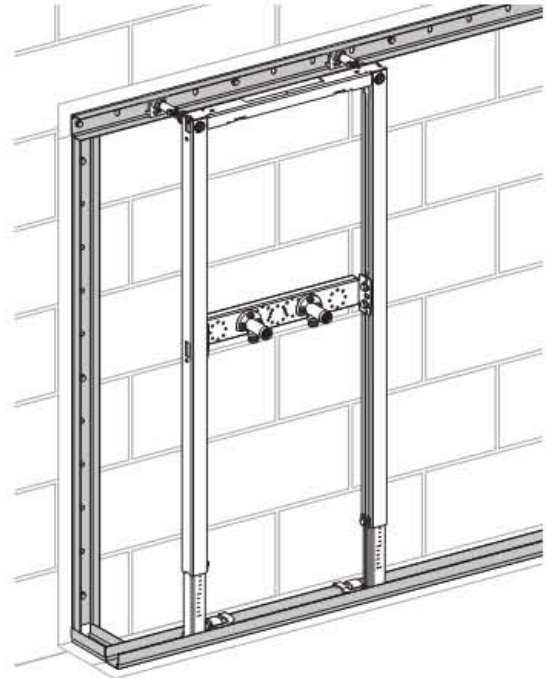
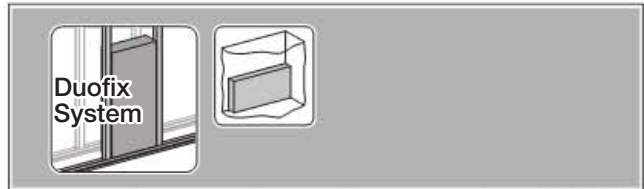
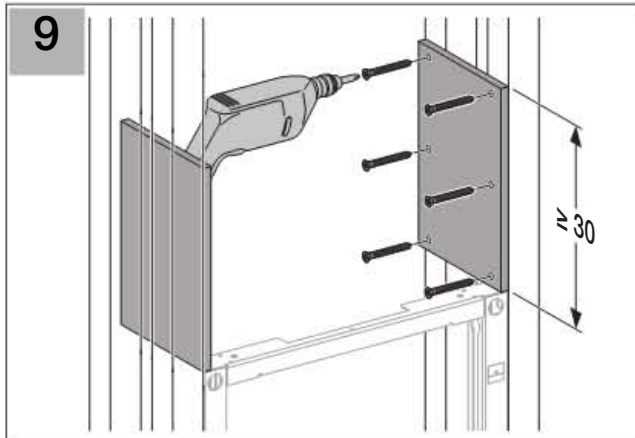
# Installation



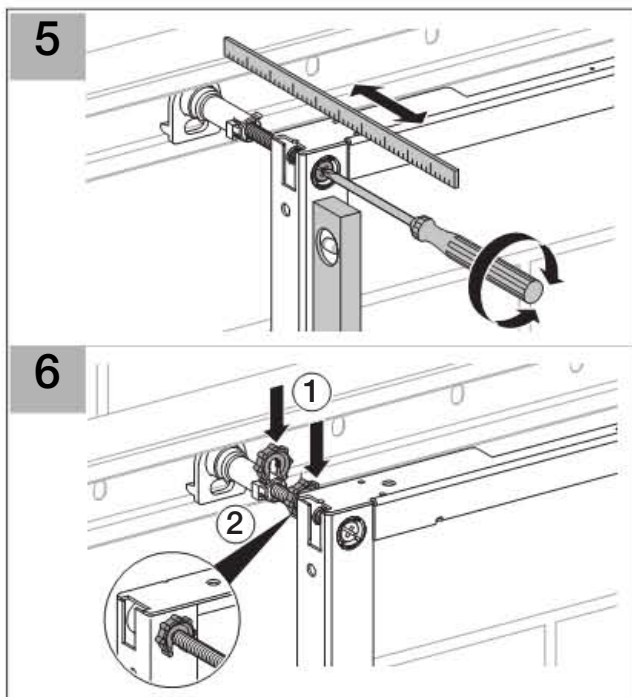
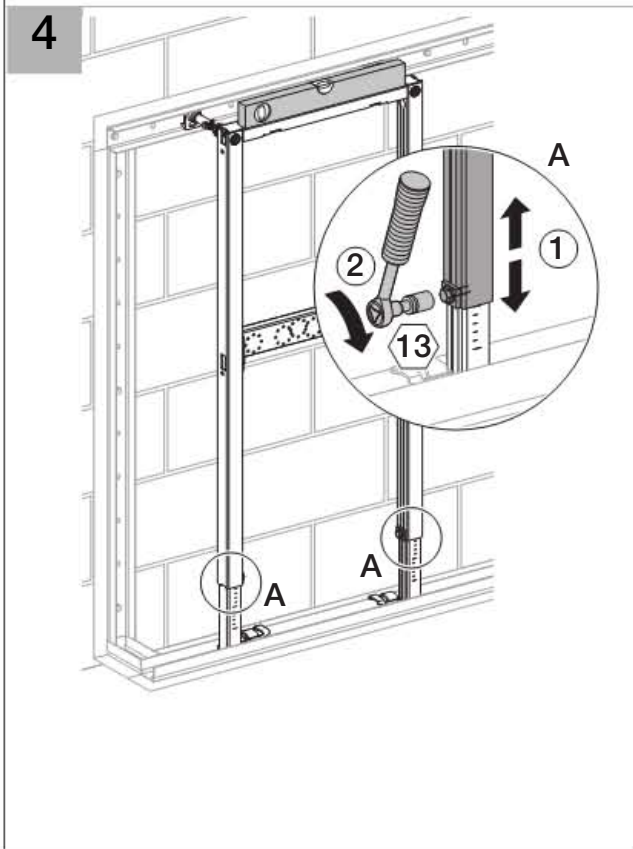
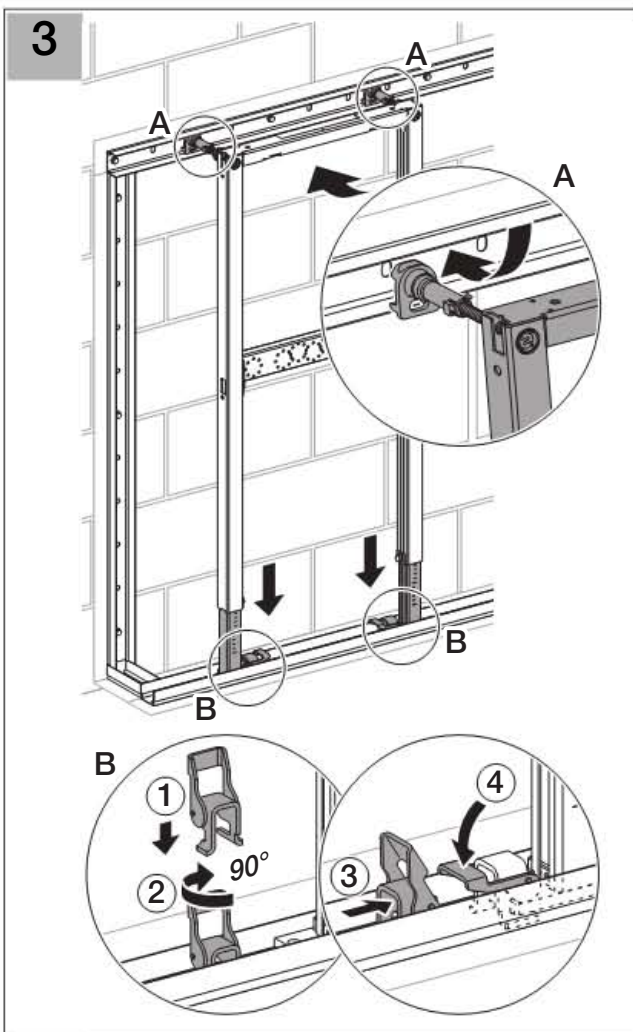












**Duofix System**

**1**

**2**

**3**

