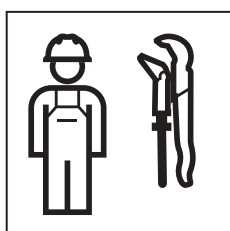
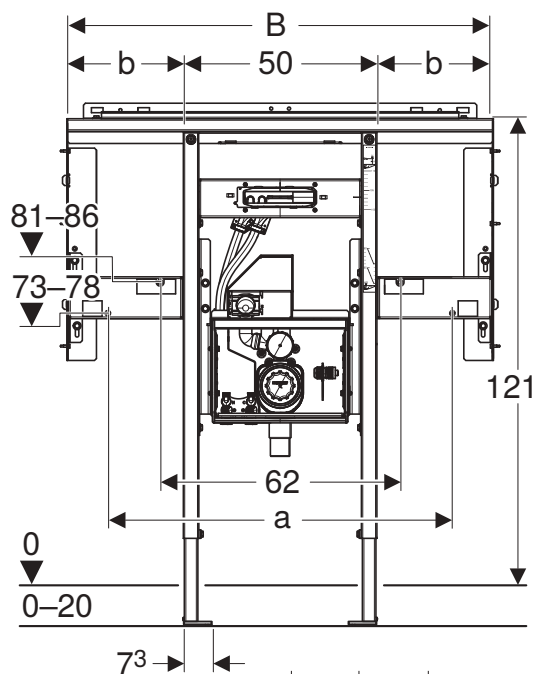
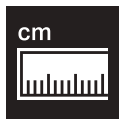


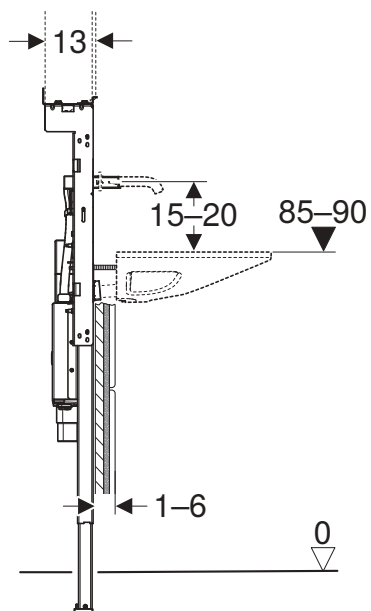
# INSTALLATION MANUAL

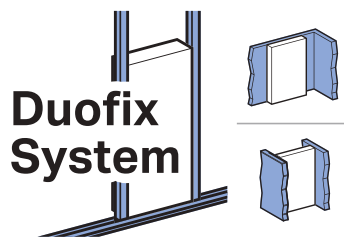
MONTAGEANLEITUNG  
INSTRUCTIONS DE MONTAGE  
ISTRUZIONI PER IL MONTAGGIO





		B	b	a
(75 cm)	111.071.00.1	80	15	59
(90 cm)	111.072.00.1	95	22 <sup>5</sup>	74
(105 cm)	111.073.00.1	110	30	89
(120 cm)	111.074.00.1	125	37 <sup>5</sup>	104



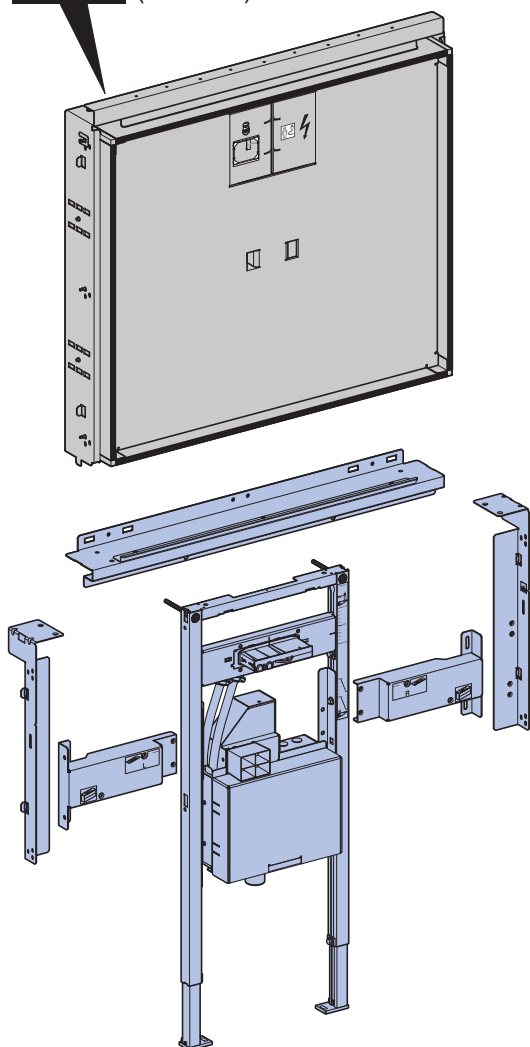


**Duofix  
System**

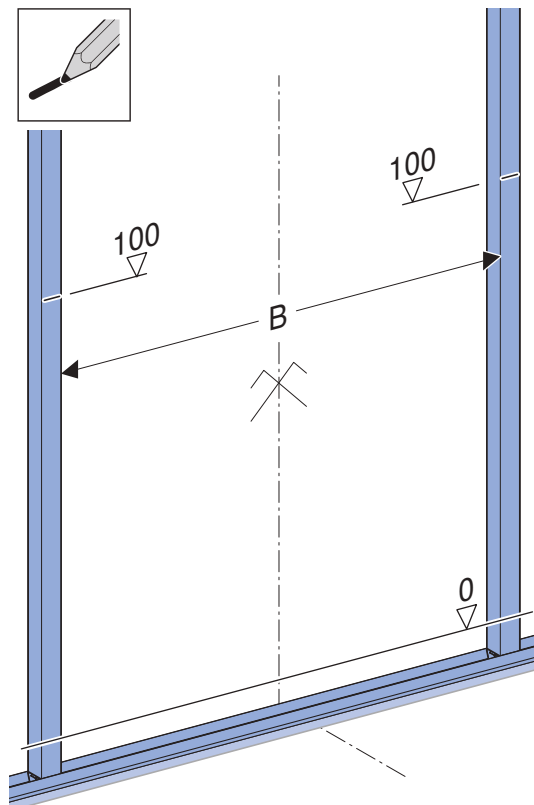


111.0xx.00.1

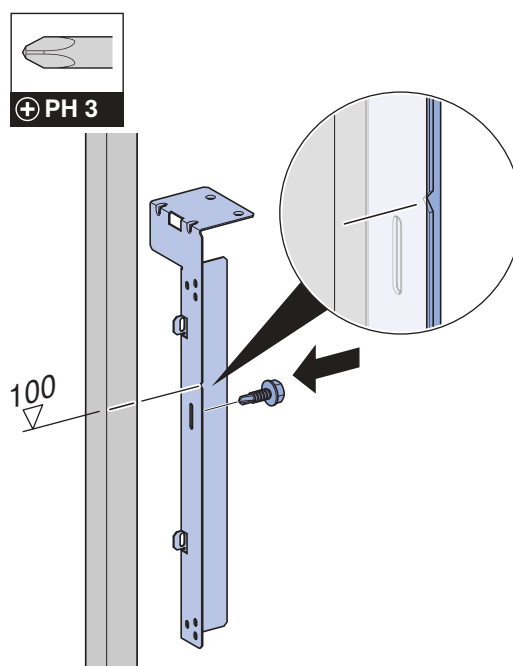
- (75 cm) 111.051.00.1
- (90 cm) 111.052.00.1
- (105 cm) 111.053.00.1
- (120 cm) 111.054.00.1



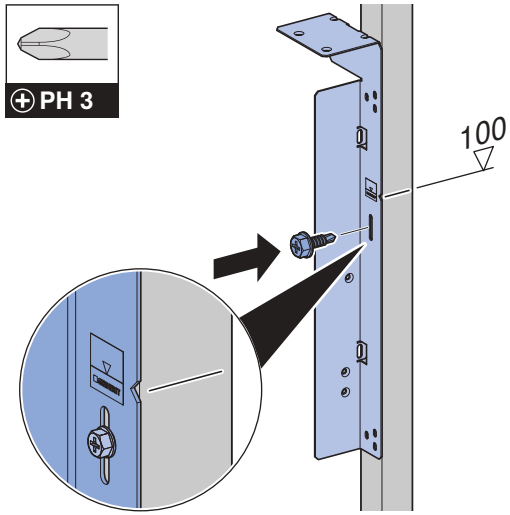
**1**



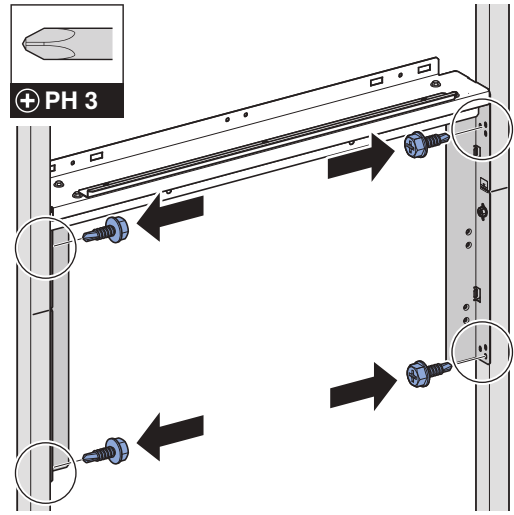
**2**



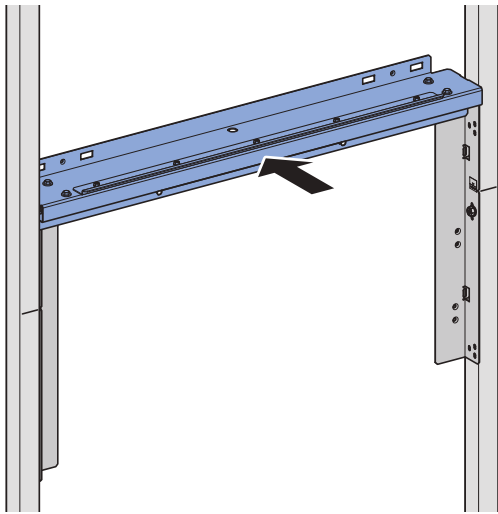
3



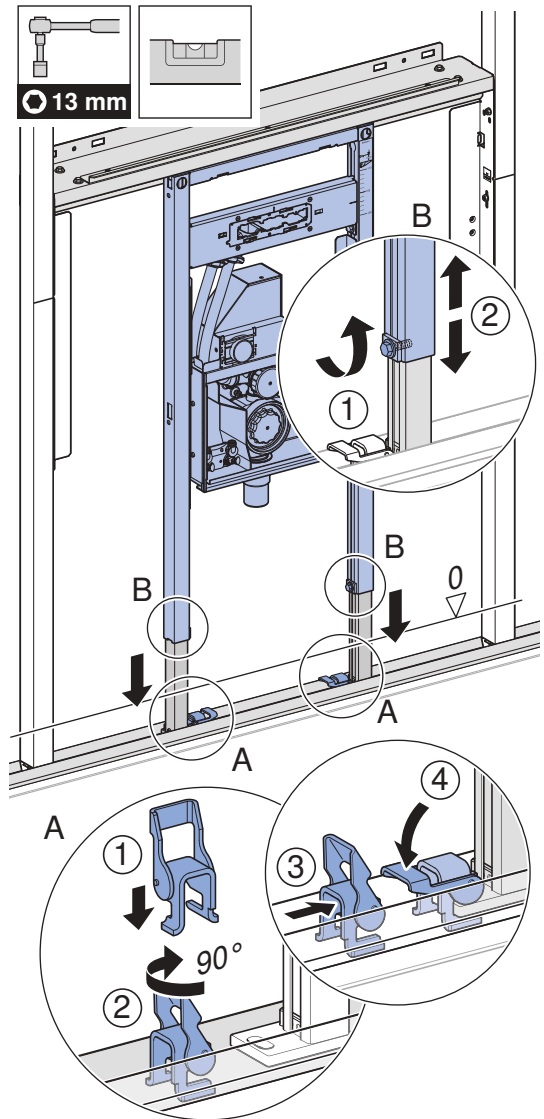
6



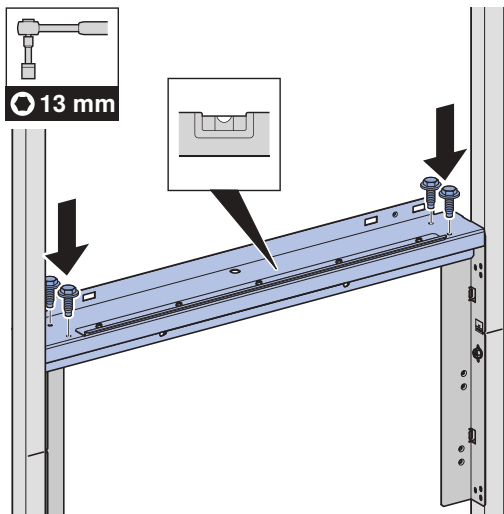
4



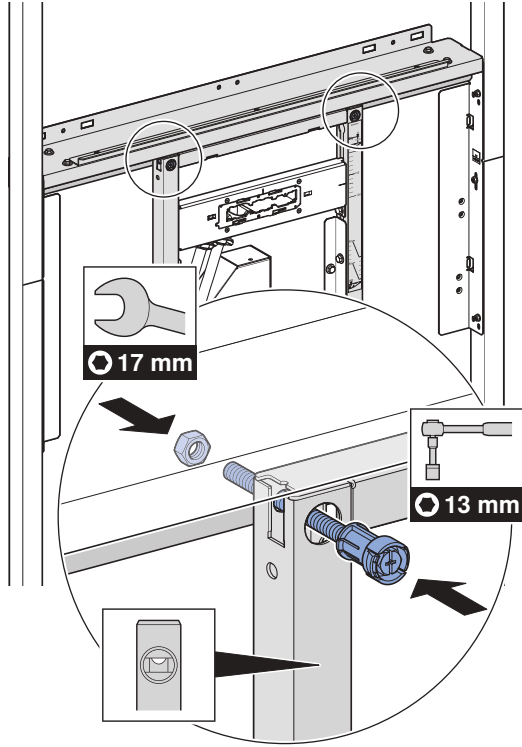
7



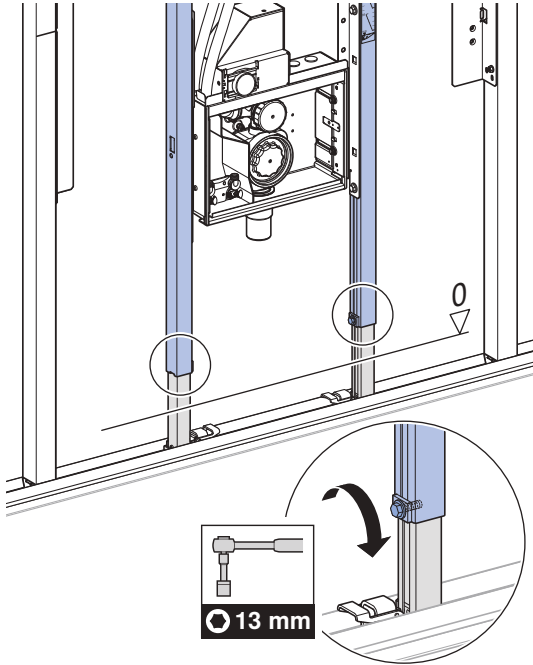
5



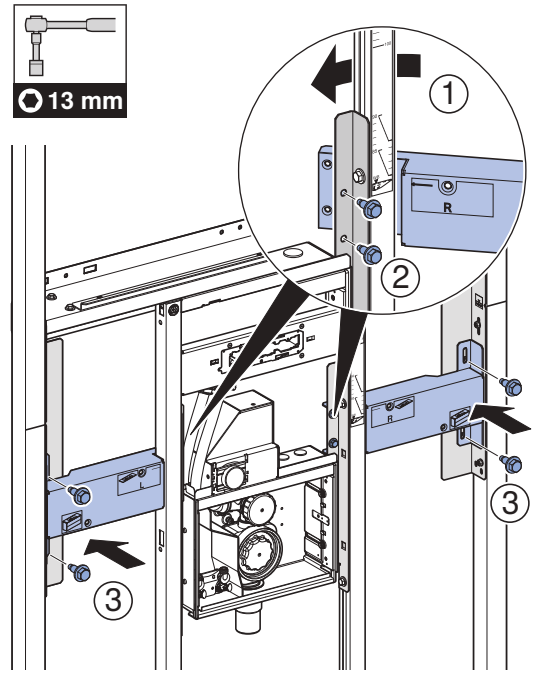
8



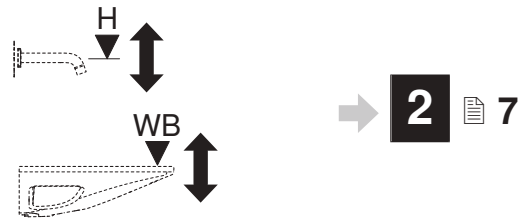
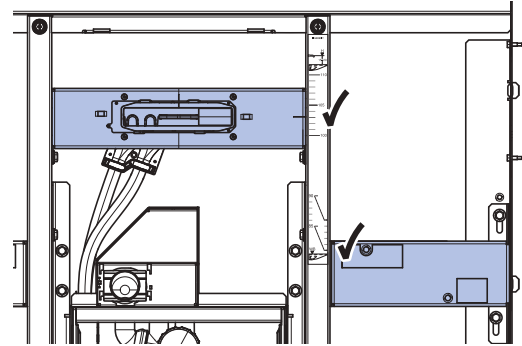
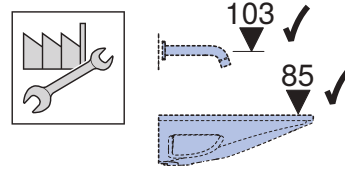
9



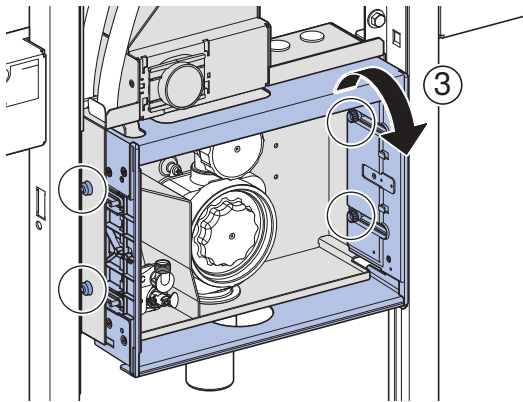
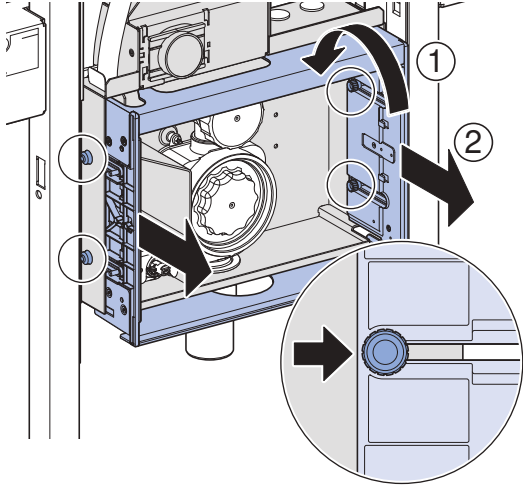
10



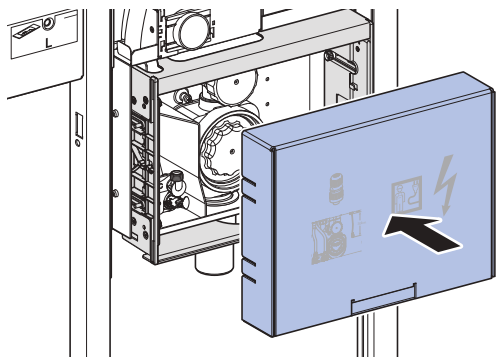
**i**



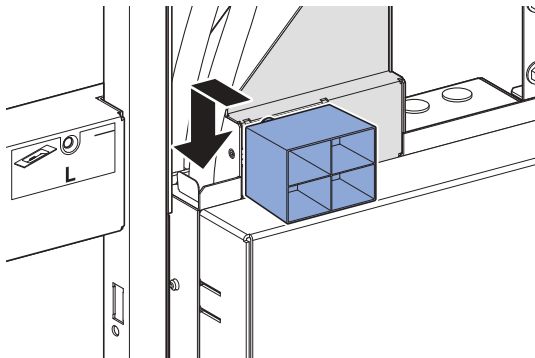
11



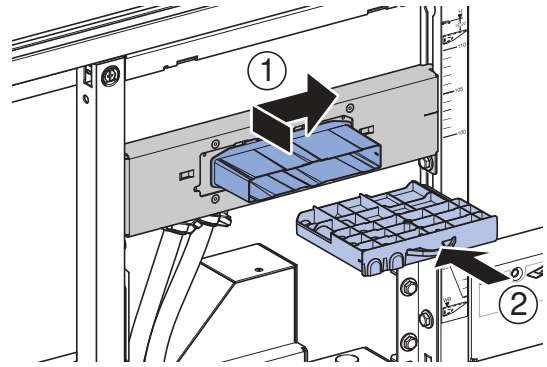
12



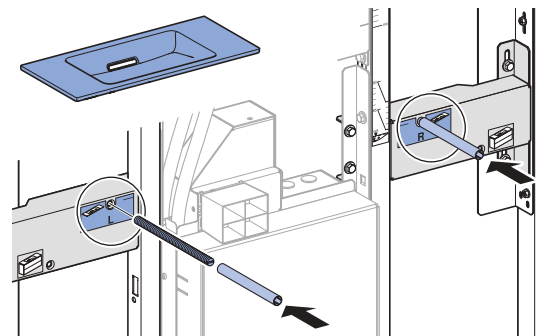
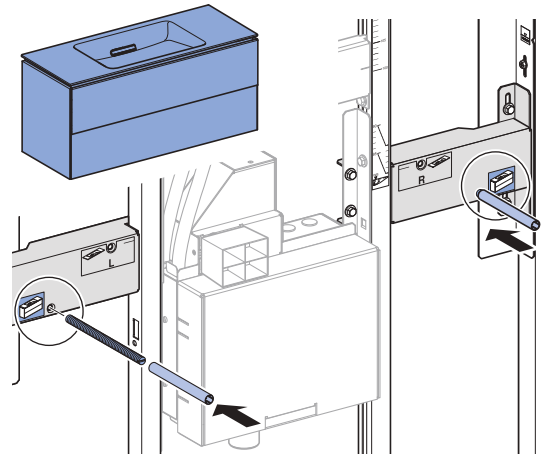
13



14

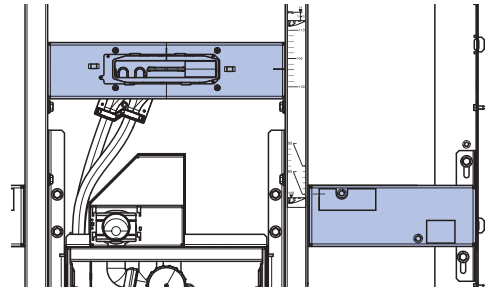
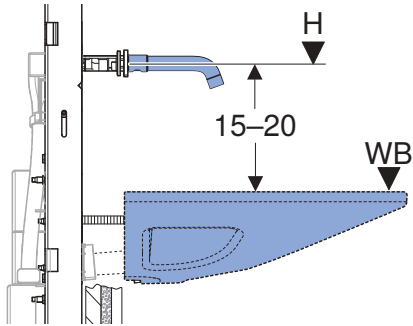


15



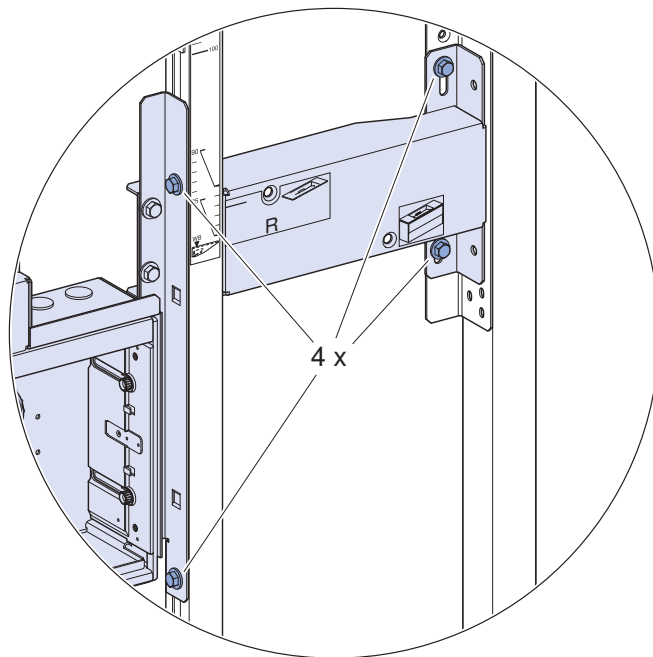
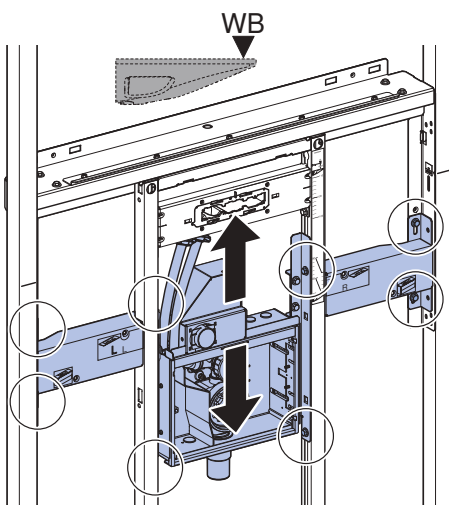
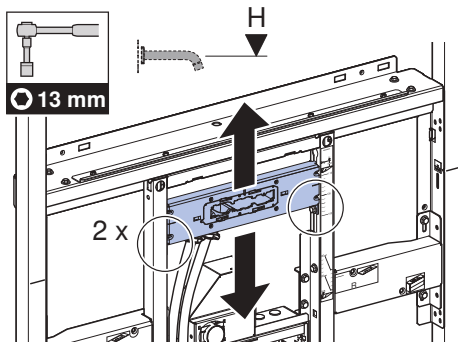
→ 3 8

# 2

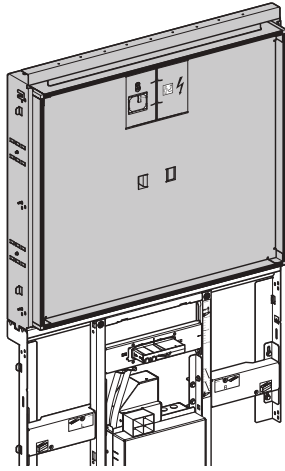


WB	H	116.460.21.1
90	105–110	108
89	104–109	107
88	103–108	106
87	102–107	105
86	101–106	104
85	100–105	103
(H <sub>min</sub> = WB + 15 H <sub>max</sub> = WB + 20)		(H = WB + 18)

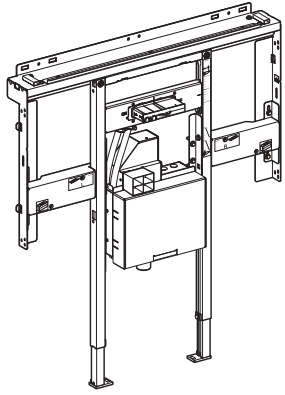
# 1



**3**



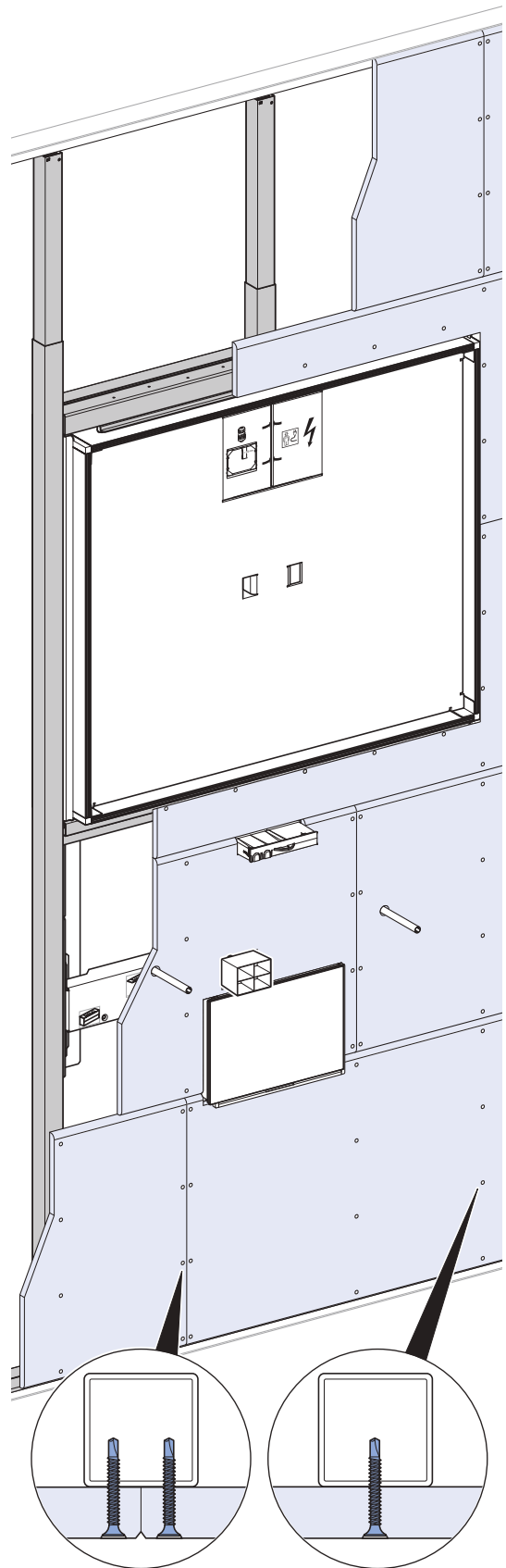
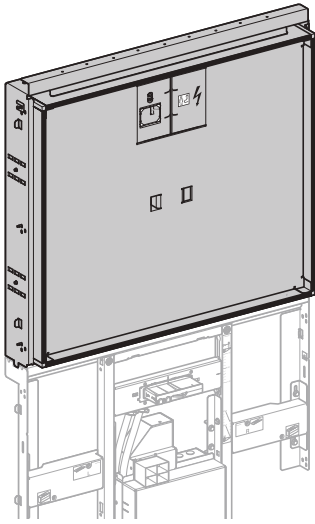
**3 A**  9



**3 B**  10

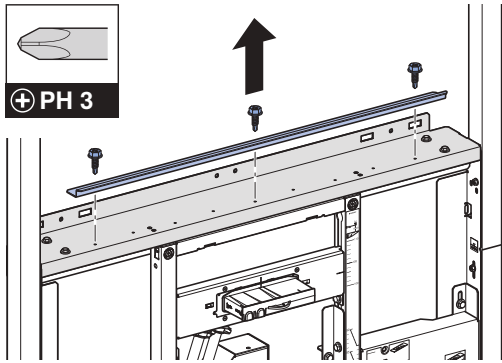


# 3 A

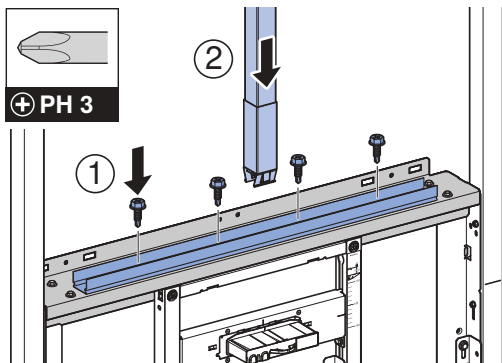


# 3 B

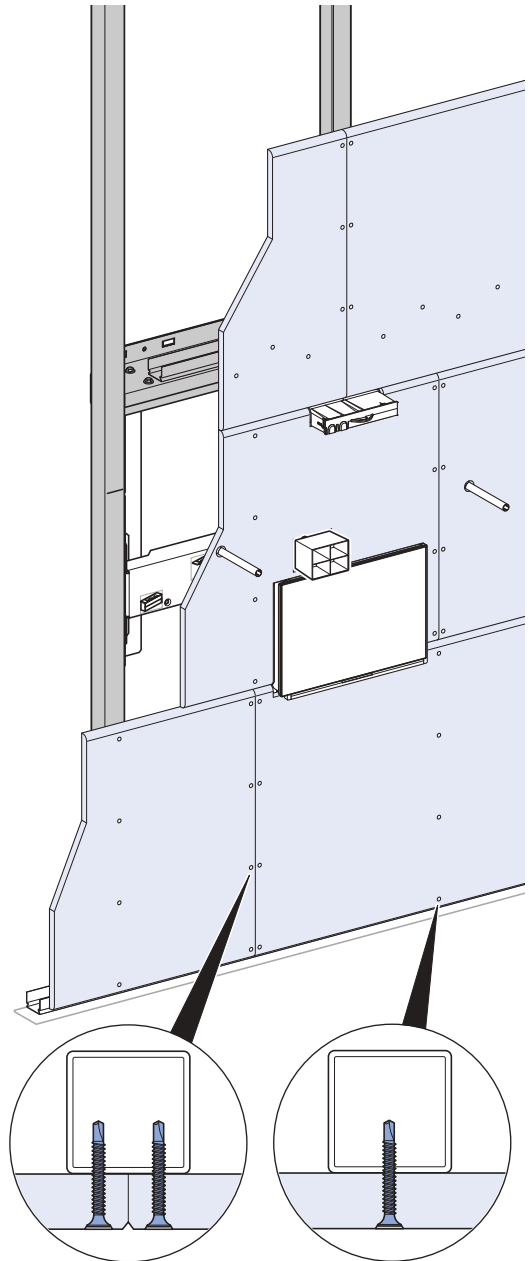
1



2



3





---

Geberit International AG  
Schachenstrasse 77, CH-8645 Jona  
documentation@geberit.com  
www.geberit.com

