

Product information sheet AXIA III XL 6 S-F

Item no. 525860 / 523520 / 523521 / 523522 / 523523 / 523524 / 523525

Benefits



- Smooth, ergonomic work flow along two axis
- Design that is notable for clear lines and the ultra-narrow rim
- Tight radii for maximum utilisation of the surface and volume
- Movable ash compound bridging chopping board for working directly into cooking dishes
- Unbeatable roomy bowl and beautifully integrated, practical drainer groove
- High-quality features with drain remote control, covered C-overflow and InFino drain system – elegantly integrated and extremely easy-care
- Flushmount version. Can be installed reversibly

Colours



Available colours:

- black
- anthracite
- rock grey
- alu metallic
- white
- jasmine
- coffee

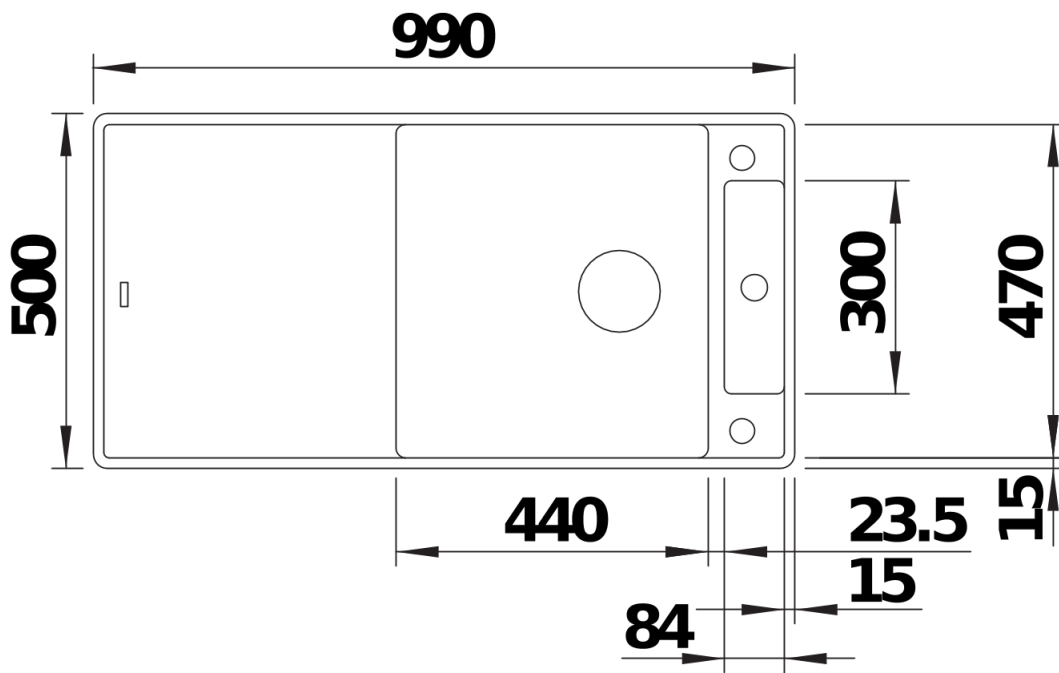
SILGRANIT anthracite

Scope of supply

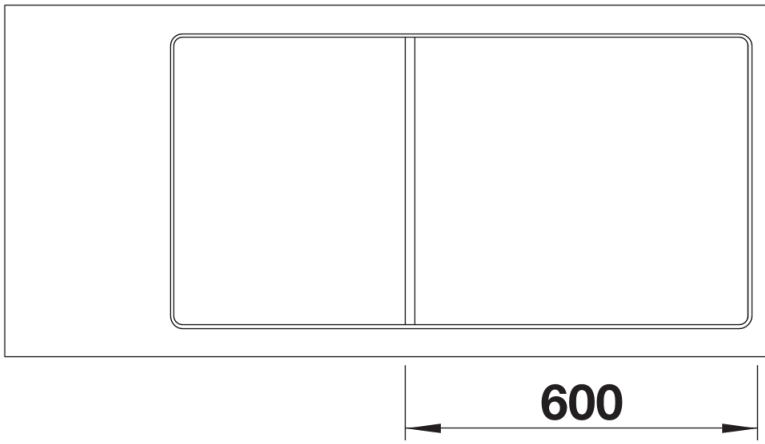
- ash compound bridging chopping board, waste kit with space-saving pipe, 3 ½" InFino basket strainer with drain remote control (rotary switch)

234051 - Ash compound bridging chopping board

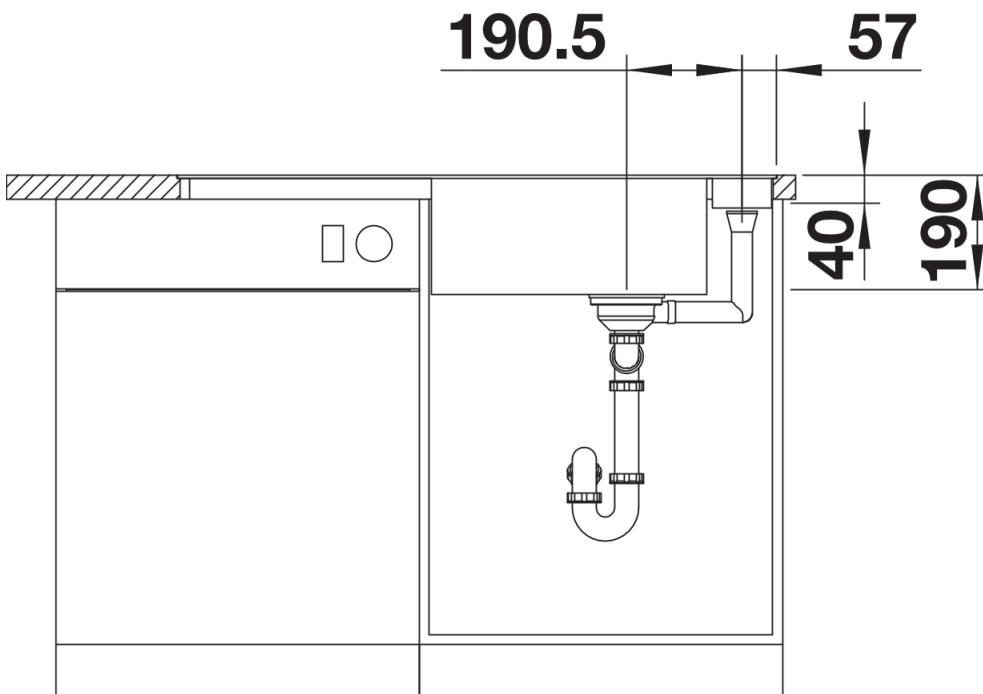
Details



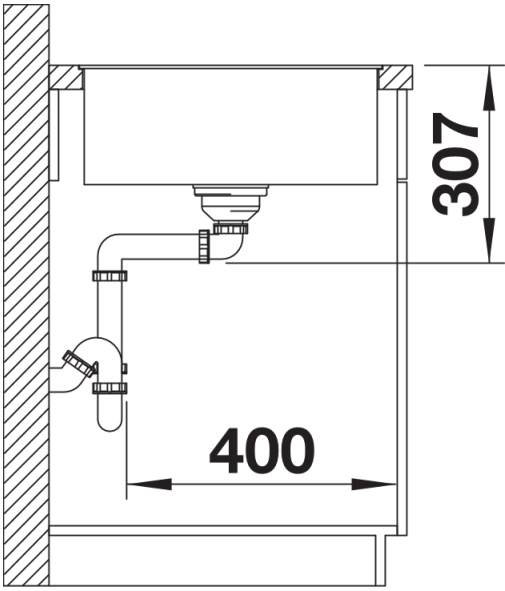
Top view



Cut-out



Front view



Side view