

Product information sheet AXIA III 6 S-F

Item no. 525855 / 523483 / 523484 / 523485 / 523486 / 523487 / 523488

Benefits



- Smooth, ergonomic work flow along two axis
- Design that is notable for clear lines and the ultra-narrow rim
- Tight radii for maximum utilisation of the surface and volume
- Movable ash compound bridging chopping board for working directly into cooking dishes
- Multifunctional colander can also be freely positioned in the main bowl for easy food preparation
- High-quality features with drain remote control, covered C-overflow and InFino drain system – elegantly integrated and extremely easy-care

Colours



Available colours:

- black
- anthracite
- rock grey
- alu metallic
- white
- jasmine
- coffee

SILGRANIT anthracite

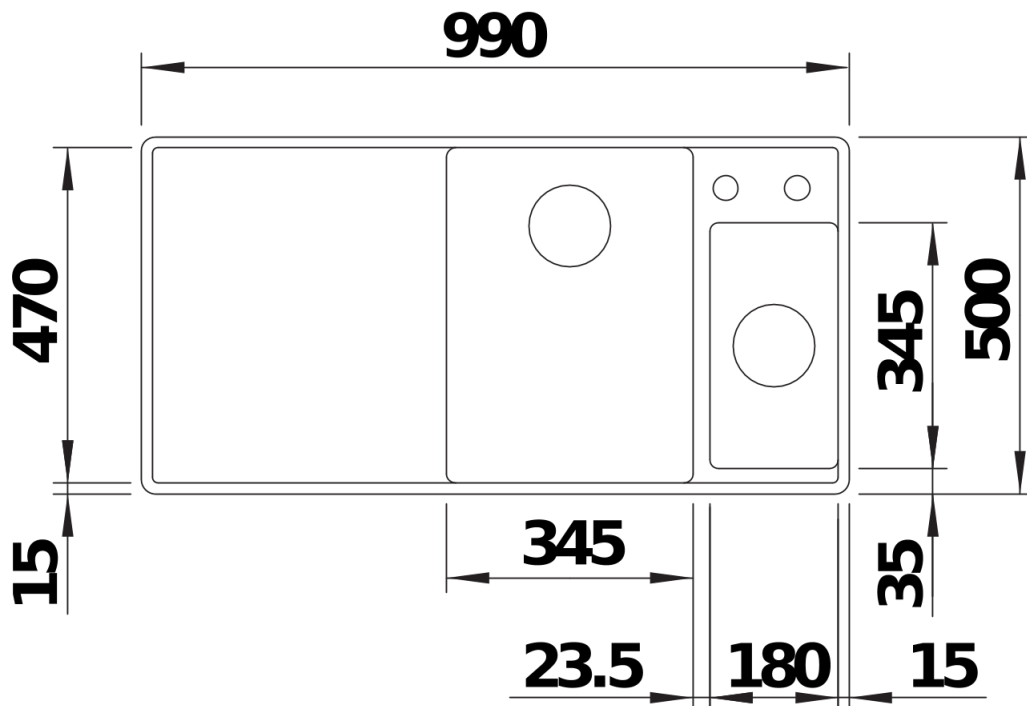
Scope of supply

- ash compound bridging chopping board, multifunctional stainless steel colander, waste kit with space-saving pipe, 2 x 3 1/2" InFino basket strainer with drain remote control (rotary switch) for the main bowl

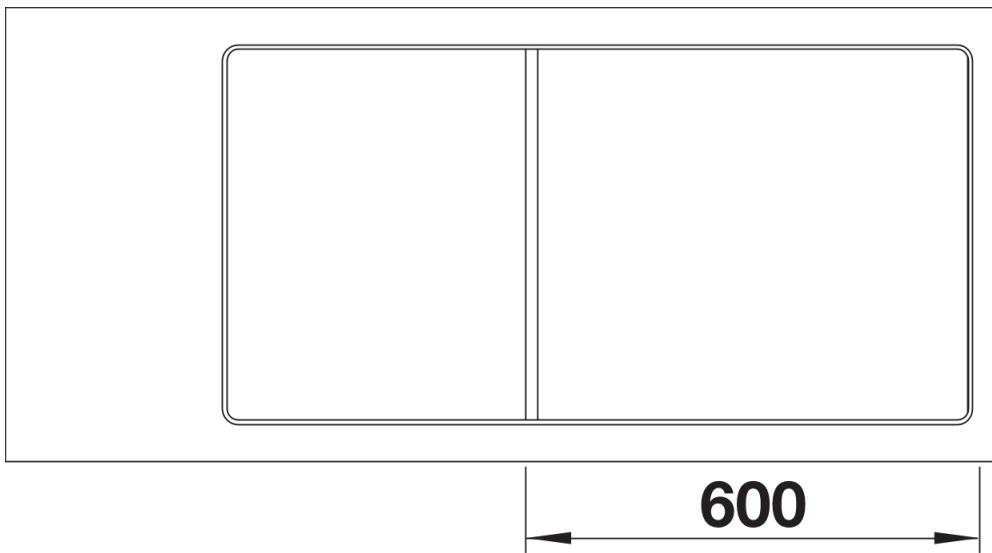
234051 - Ash compound bridging chopping board

233739 - Multifunctional colander S/S

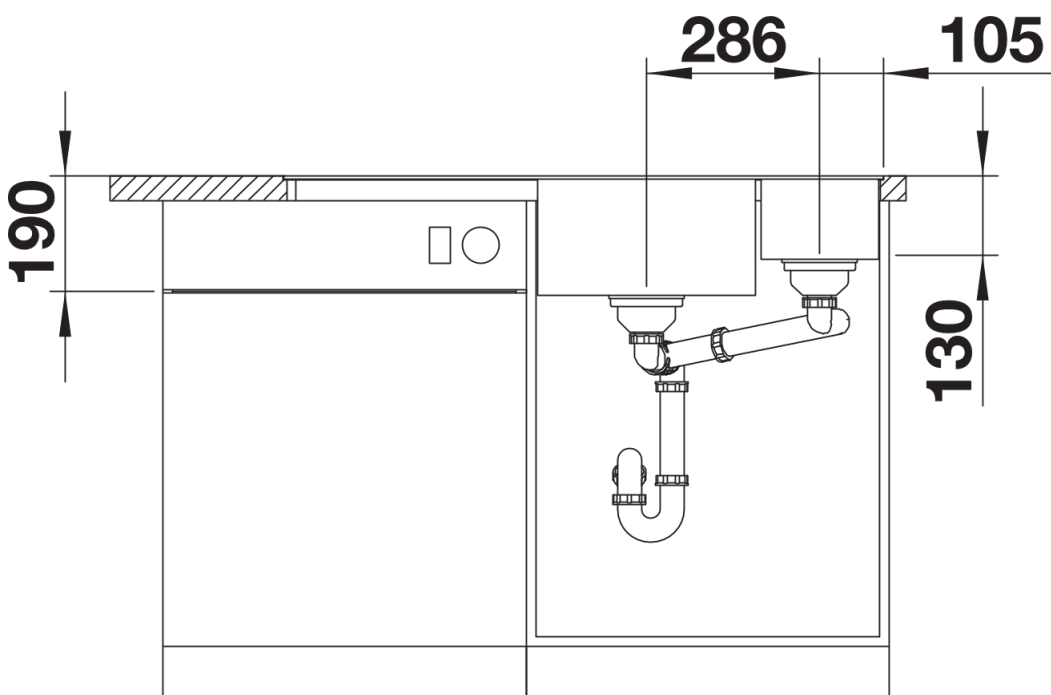
Details



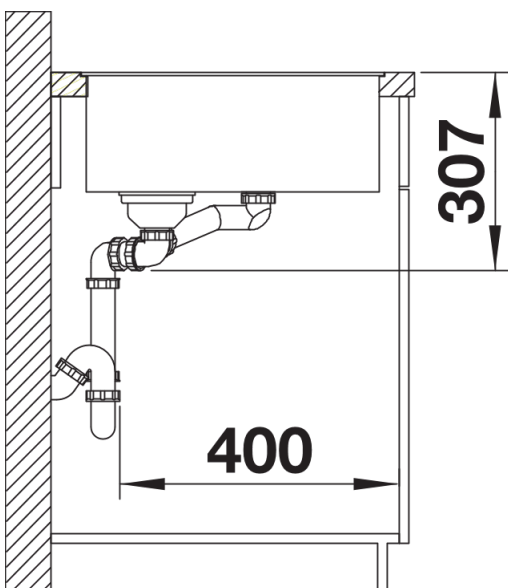
Top view



Cut-out



Front view



Side view