

Product information sheet AXIA III 6 S

Item no. 525851 / 523462 / 523463 / 523464 / 523465 / 523466 / 523467 / 523469 / 523471

Benefits



- Smooth, ergonomic work flow along two axis
- Design that is notable for clear lines and the ultra-narrow, low-profile rim
- Tight radii for maximum utilisation of the surface and volume
- Movable ash compound bridging chopping board for working directly into cooking dishes
- Multifunctional colander can also be freely positioned in the main bowl for easy food preparation
- High-quality features with drain remote control, covered C-overflow and InFino drain system – elegantly integrated and extremely easy-care

Colours



SILGRANIT anthracite

Available colours:

- black
- anthracite
- rock grey
- alu metallic
- pearl grey
- white
- jasmine
- tartufo
- coffee

Planning information

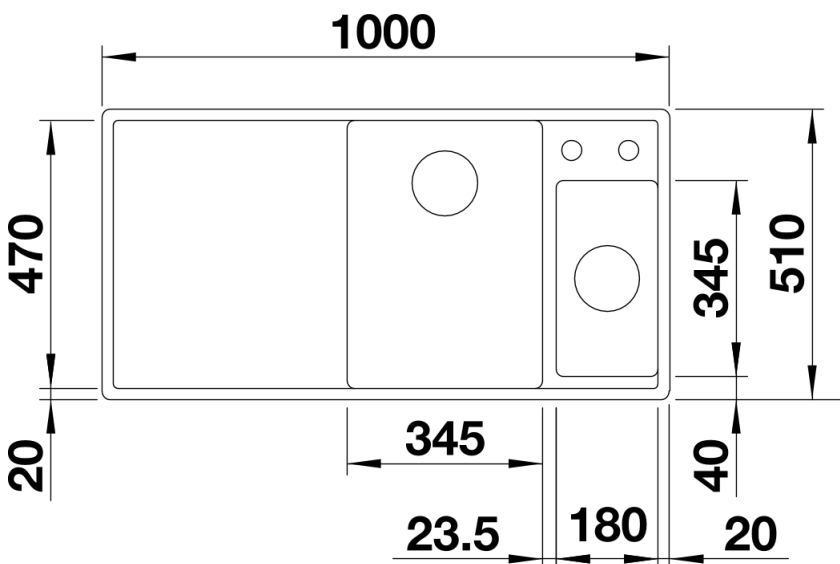
- Special fixing elements are required for undermount installation.

Scope of supply

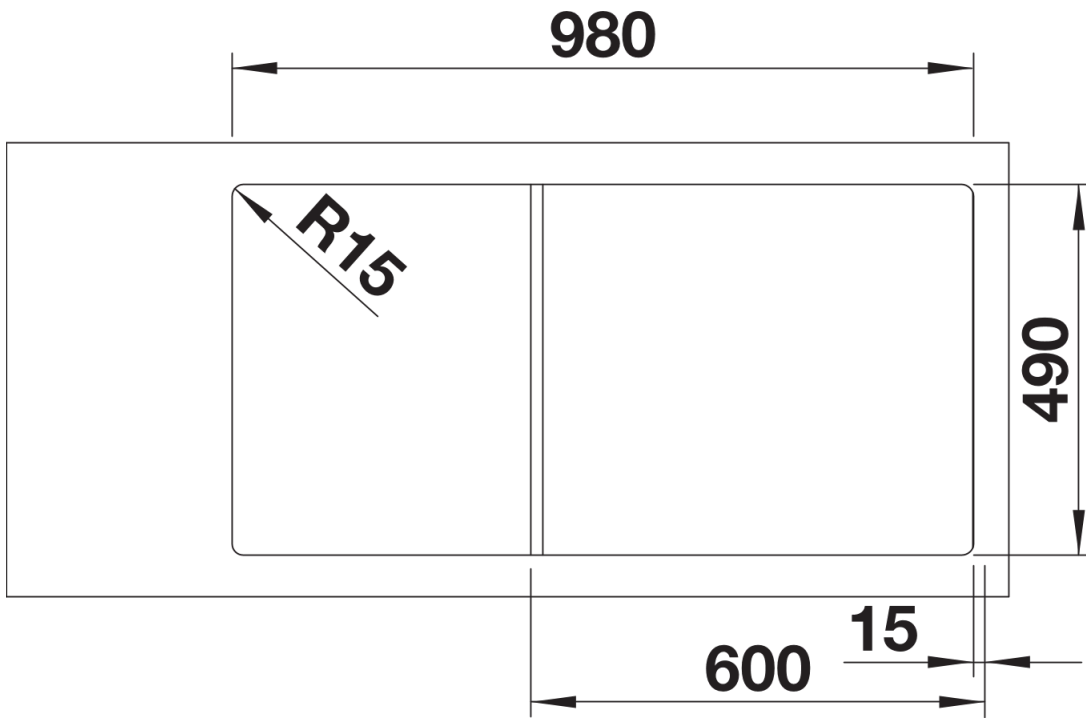
- ash compound bridging chopping board, multifunctional stainless steel colander, waste kit with space-saving pipe, 2 x 3 1/2" InFino basket strainer with drain remote control (rotary switch) for the main bowl

234051 - Ash compound bridging chopping board
233739 - Multifunctional colander S/S

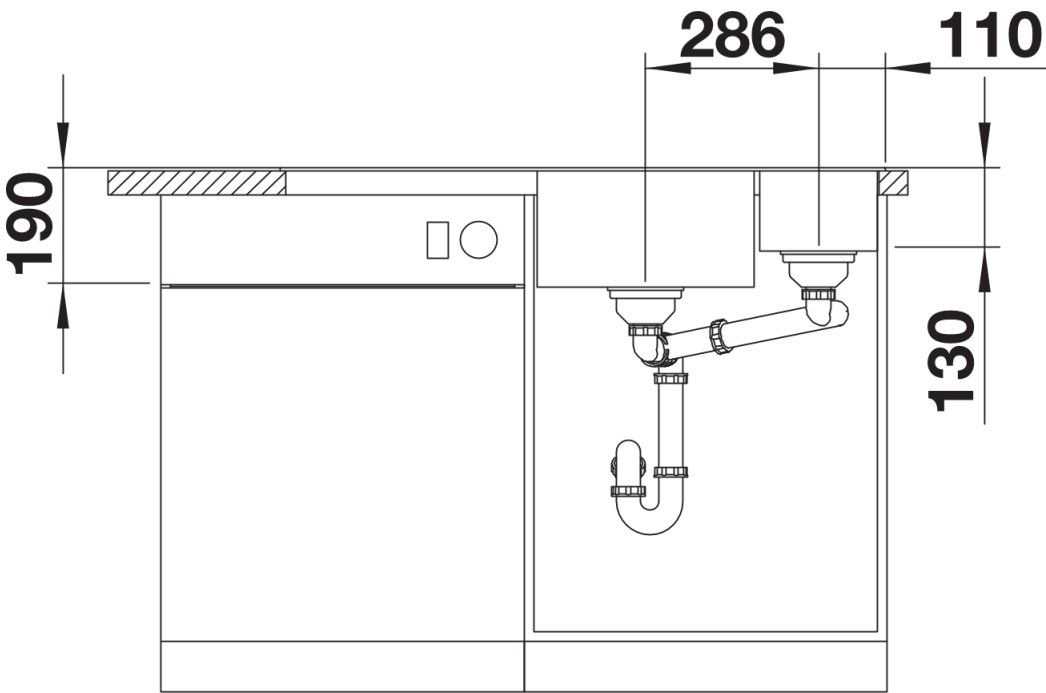
Details



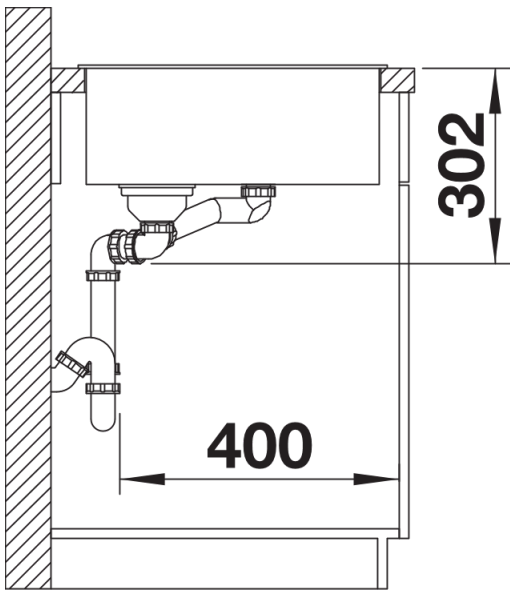
Top view



Cut-out



Front view



Side view