

## Product information sheet AXIA III 6 S

Item no. 525850 / 523472 / 523473 / 523474 / 523476 / 523477 / 523478 / 523480 / 523482

### Benefits

---



- Smooth, ergonomic work flow along two axis
- Design that is notable for clear lines and the ultra-narrow, low profile rim
- Tight radii for maximum utilisation of the surface and volume
- Movable glass cutting board for working directly into cooking dishes
- Multifunctional colander can also be freely positioned in the main bowl for easy food preparation
- High-quality features with drain remote control, covered C-overflow and InFino drain system – elegantly integrated and extremely easy-care

### Colours

---



SILGRANIT anthracite

#### Available colours:

- black
- anthracite
- rock grey
- alu metallic
- pearl grey
- white
- jasmine
- tartufo
- coffee

## Planning information

---

- Special fixing elements are required for undermount installation.

## Scope of supply

---

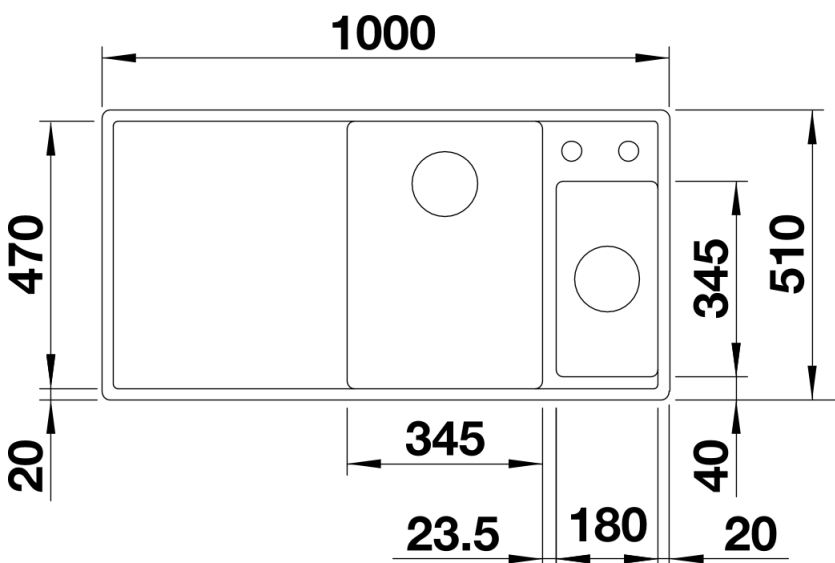
- glass cutting board, multifunctional stainless steel colander, waste kit with space-saving pipe, 2 x 3 ½" InFino basket strainer with drain remote control (rotary switch) for the main bowl

234045 - Glass cutting board white

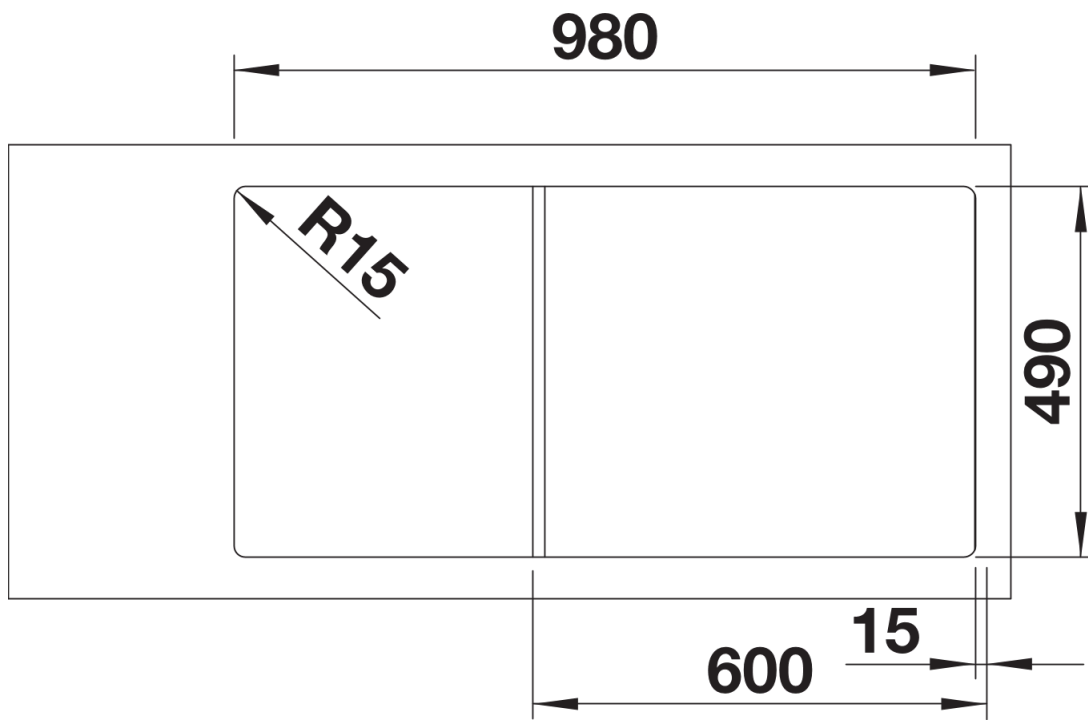
233739 - Multifunctional colander S/S

## Details

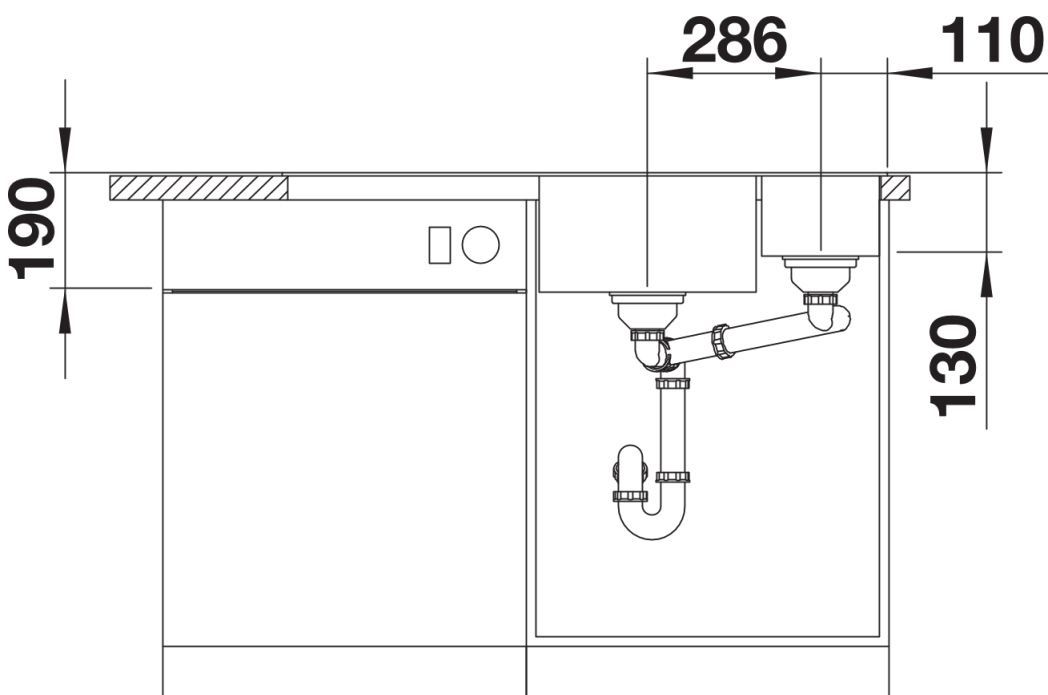
---



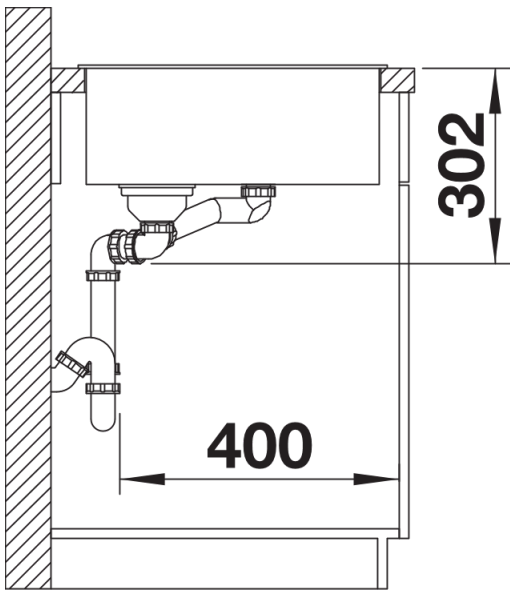
Top view



Cut-out



Front view



Side view