

## Product information sheet AXIA III 45 S

Item no. 525841 / 523173 / 523174 / 523175 / 523176 / 523177 / 523178 / 523180 / 523182

### Benefits

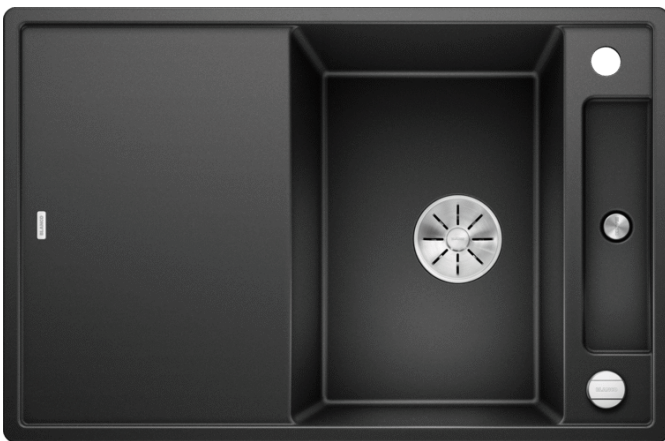
---



- Smooth, ergonomic work flow along two axis
- Design that is notable for clear lines and the ultra-narrow, low profile rim
- Tight radii for maximum utilisation of the surface and volume
- Movable ash compound bridging chopping board for working directly into cooking dishes
- High-quality features with drain remote control, covered C-overflow and InFino drain system – elegantly integrated and extremely easy-care

### Colours

---



Available colours:

- black
- anthracite
- rock grey
- alu metallic
- pearl grey
- white
- jasmine
- tartufo
- coffee

SILGRANIT anthracite

## Planning information

---

- Special fixing elements are required for undermount installation.

## Scope of supply

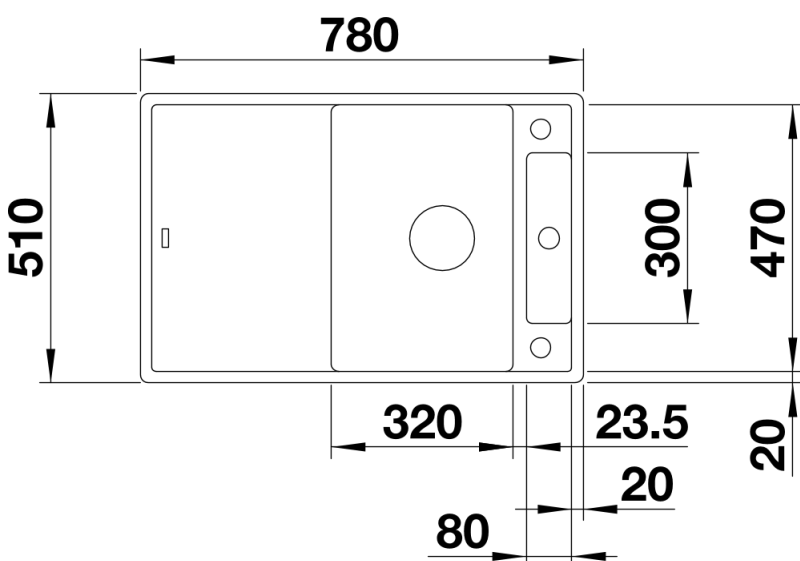
---

- ash compound bridging chopping board, waste kit with space-saving pipe, 3 ½" InFino basket strainer with drain remote control (rotary switch)

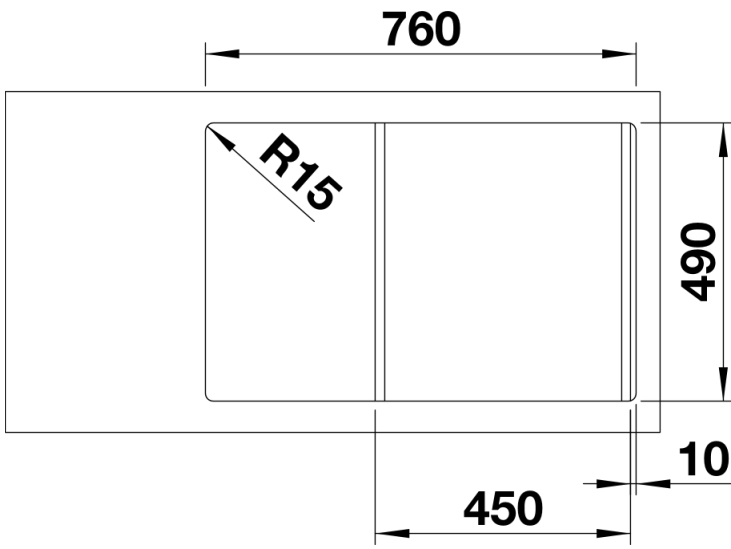
234051 - Ash compound bridging chopping board

## Details

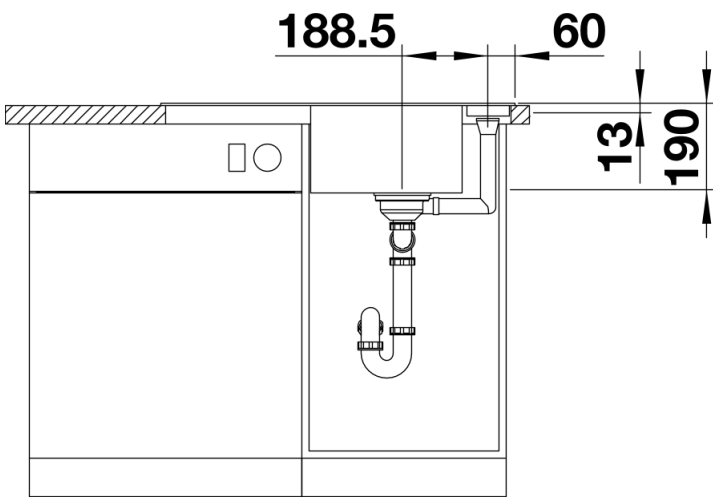
---



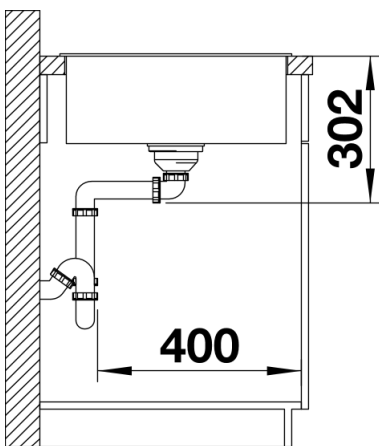
Top view



Cut-out



Front view



Side view