

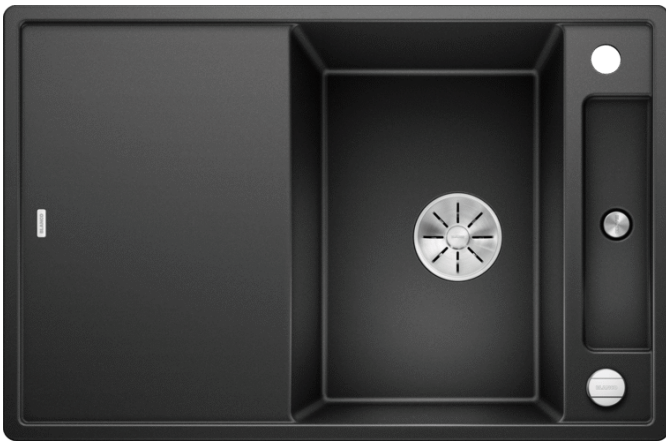
Product information sheet AXIA III 45 S

Item no. 525840 / 523183 / 523184 / 523185 / 523186 / 523187 / 523188 / 523190 / 523192Benefits



- Smooth, ergonomic work flow along two axis
- Design that is notable for clear lines and the ultra-narrow, flat rim
- Tight radii for maximum utilisation of the surface and volume
- Movable glass cutting board for working directly into cooking dishes
- High-quality features with drain remote control, covered C-overflow and InFino drain system – elegantly integrated and extremely easy-care

Colours



Available colours:

- black
- anthracite
- rock grey
- alu metallic
- pearl grey
- white
- jasmine
- tartufo
- coffee

SILGRANIT anthracite

Planning information

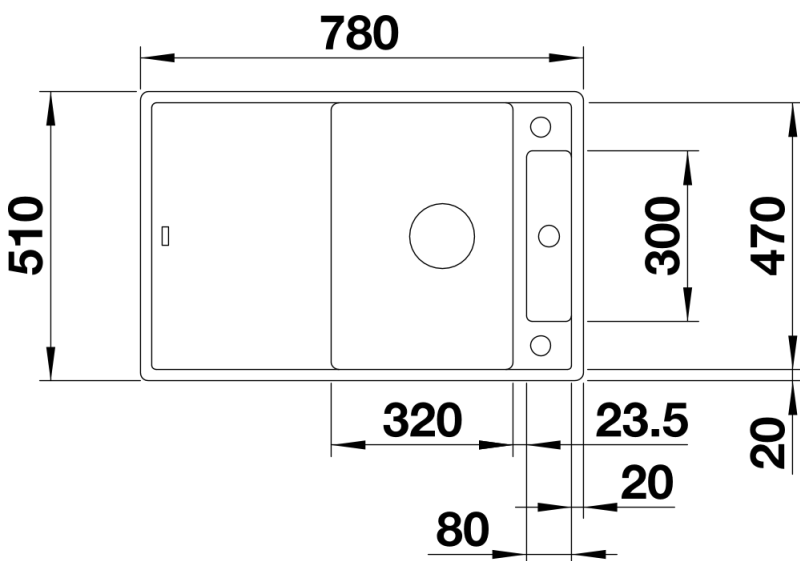
- Special fixing elements are required for undermount installation.

Scope of supply

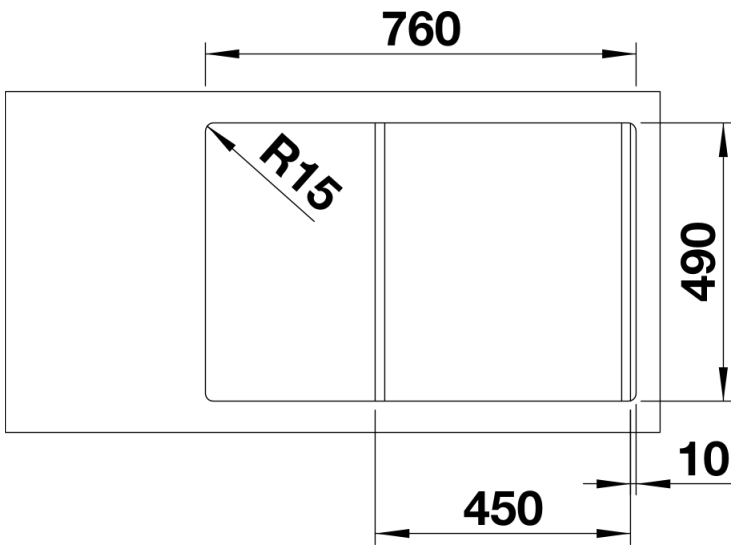
- glass cutting board, waste kit with space-saving pipe, 3 ½" InFino basket strainer with drain remote control (rotary switch)

234045 - Glass cutting board white

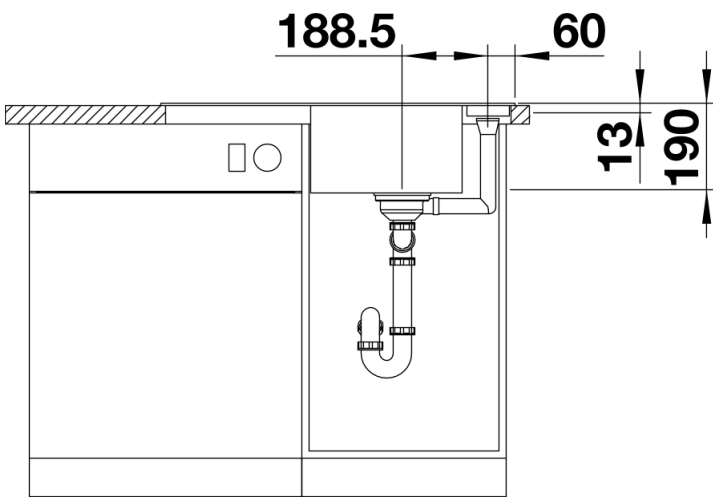
Details



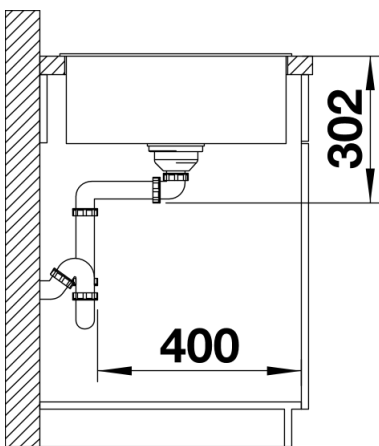
Top view



Cut-out



Front view



Side view