

## Product information sheet ANDANO 400/400-IF/A

Item no. 525249

### Benefits

---



- Unique composition of optical and functional elements
- The harmonious interplay between the radii and surface design creates a modern appeal
- Elegantly designed wet area with an integrated tap ledge in just one worktop cut-out
- High quality features consisting of a covered C-overflow and InFino drain system with PushControl - the slim and intuitive remote control
- Large bowl capacity and fully utilisable base
- Optional premium accessories are available

## Planning information

---

- No additional drill holes possible. If using a detergent dispenser, the remote control pop-up must be replaced by the detergent dispenser, and the InFino™ drain system with remote control pop-up by the InFino™ manual drain system without remote control pop-up.
- Please contact us – we'll be pleased to help you further.
- You will receive the item number of the InFino™ manual drain system without remote control pop-up on request.

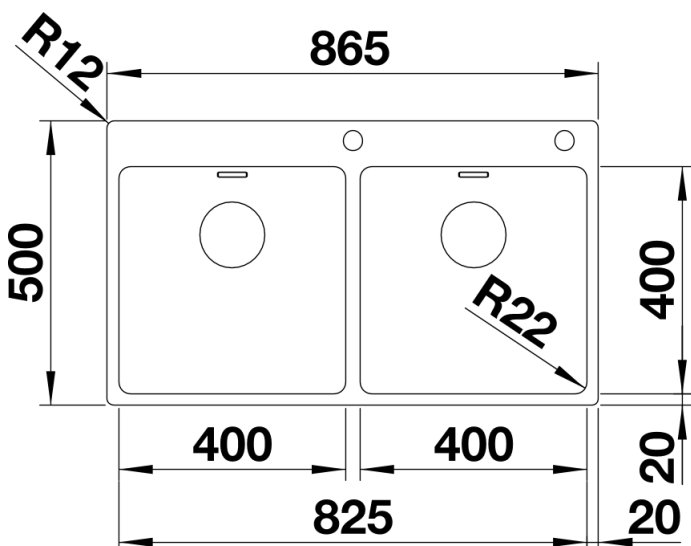
## Scope of supply

---

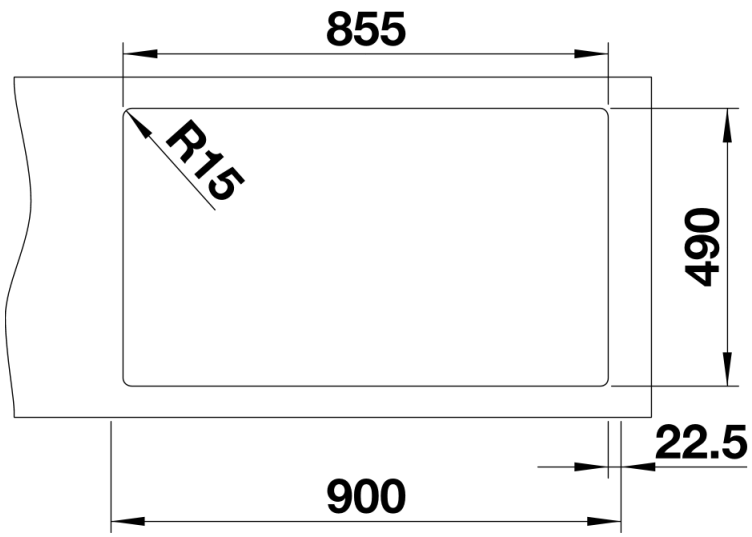
- waste kit with space-saving pipe, 2 x 3 1/2" InFino basket strainer with drain remote control (PushControl) for 1 bowl, fixing kit

## Details

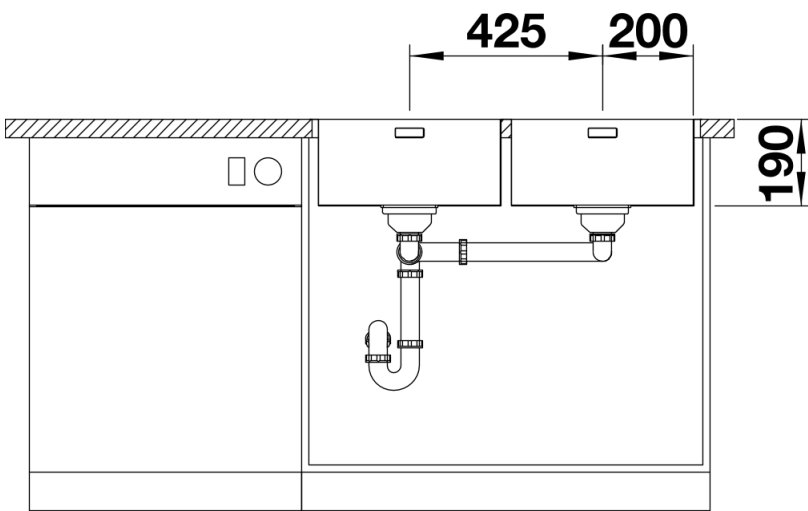
---



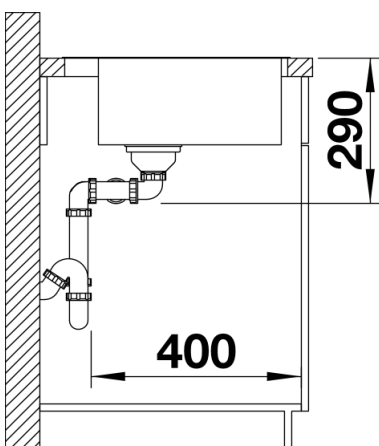
Top view



Cut-out



Front view



Side view