

Product information sheet ETAGON 500-U

Item no. 525155

Benefits



- Generous staggered bowl with the functionality of a sink centre
- Integrated step creates an additional function level
- Innovative system concept with versatile ETAGON rails
- High-quality features with the covered C-overflow™ and InFino™ drain system – elegantly integrated and extremely hygienic.

Colours



Available colours:

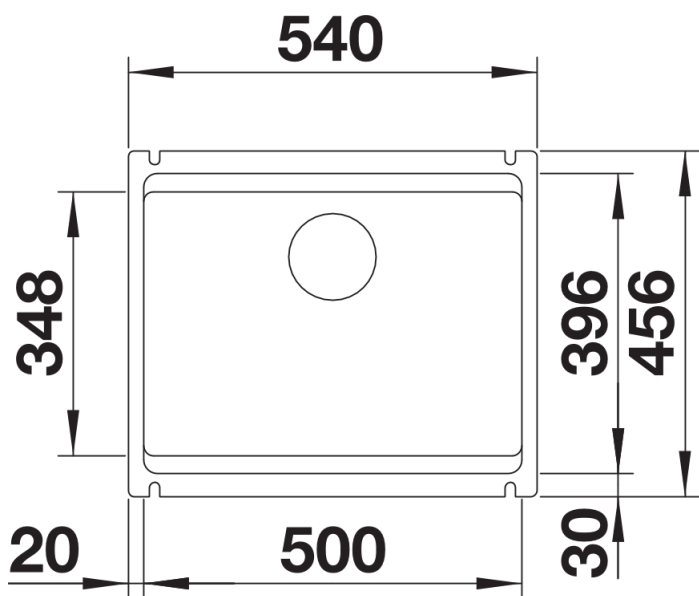
- black
- crystal white glossy
- magnolia glossy
- basalt

Ceramic PuraPlus™ black

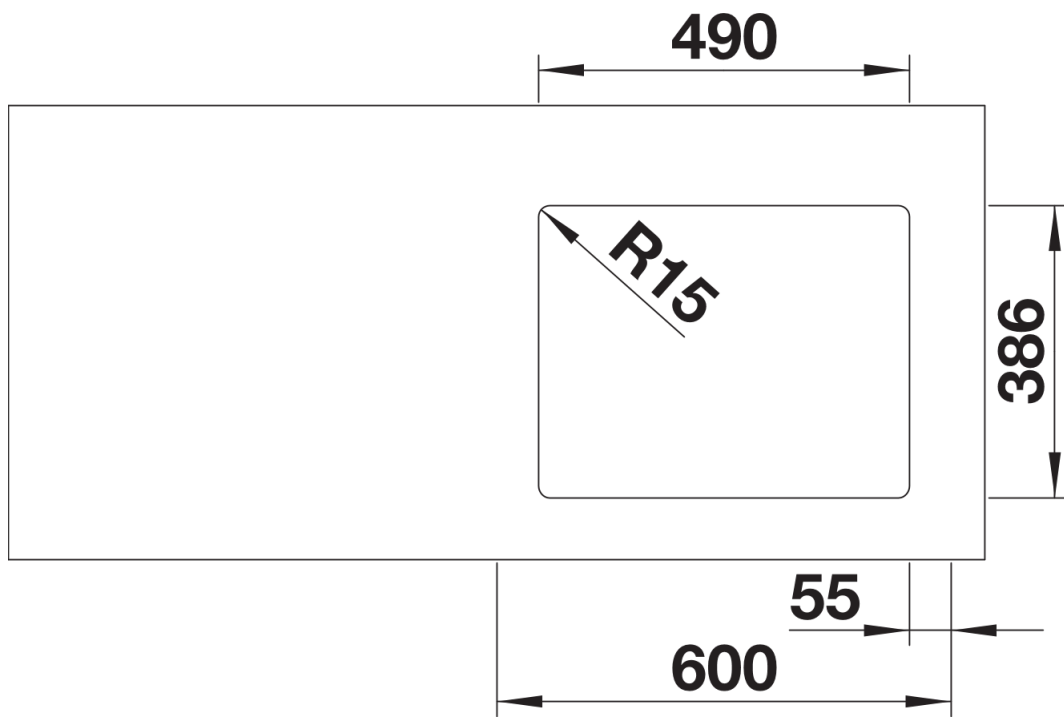
Scope of supply

- With ETAGON rails and InFino® strainer

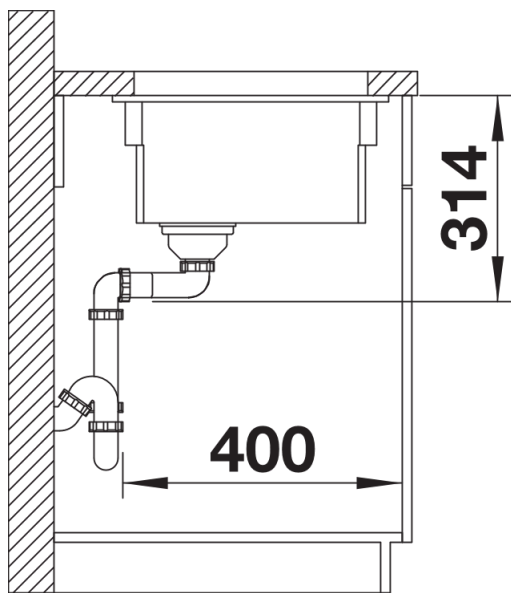
Details



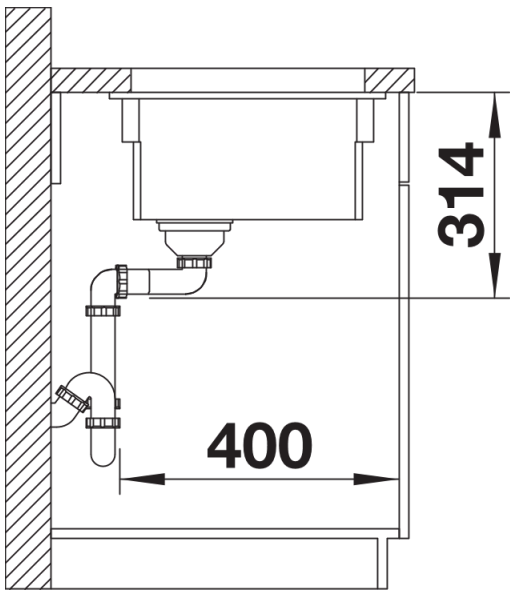
Top view



Cut-out



Front view



Side view