

Product information sheet SUBLINE 350/150-U

Item no. 523747

Benefits



- Maximum bowl size provided by the very best in production and mounting technology
- Mounting involves no additional expense
- Ceramic for easy care
- Timelessly elegant, contoured bowl design
- For cabinets from 60 cm
- Optional wooden food board and stainless steel multifunctional colander for maximum function

Colours



Available colours:

- black
- basalt
- crystal white glossy
- magnolia glossy

Ceramic PuraPlus™ black

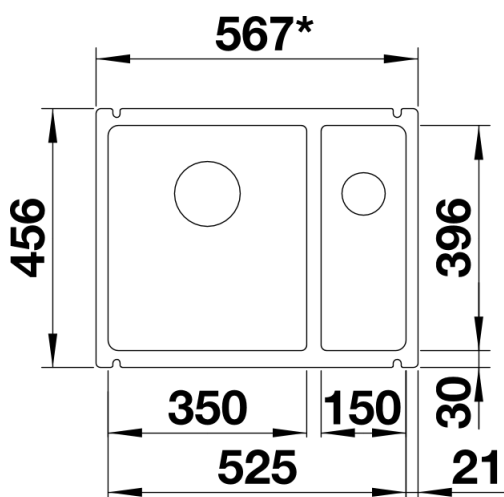
Planning information

- Corner radius: 15mm
- Cut out size: 515 x 386 x R15
- Left hand bowl only
- Please note:
- Minimum depth of worktop 25 mm
- *Cut out cabinet wall, if required.

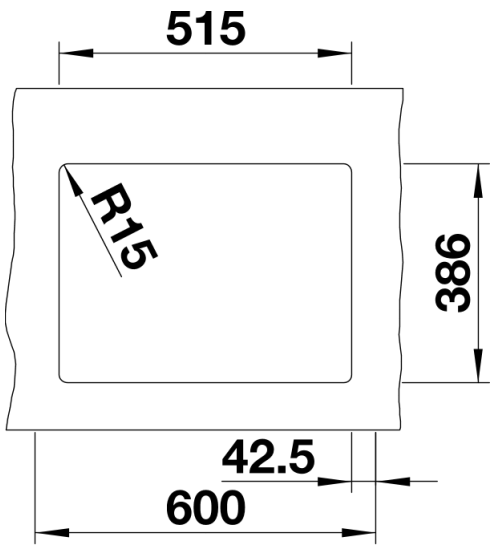
Scope of supply

- 3 1/2" basket strainer, pop-up waste for the main bowl

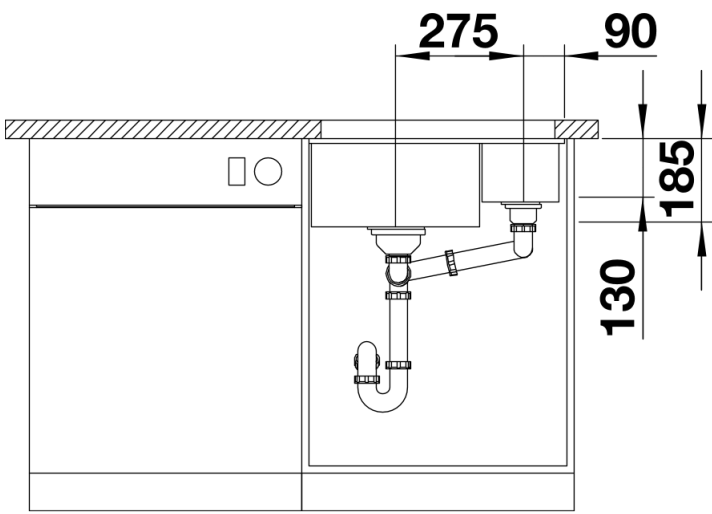
Details



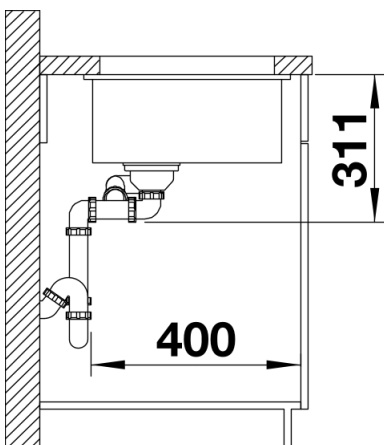
Top view



Cut-out



Front view



Side view