

## Product information sheet SUBLINE 340/160-U

Item no. 523553

### Benefits

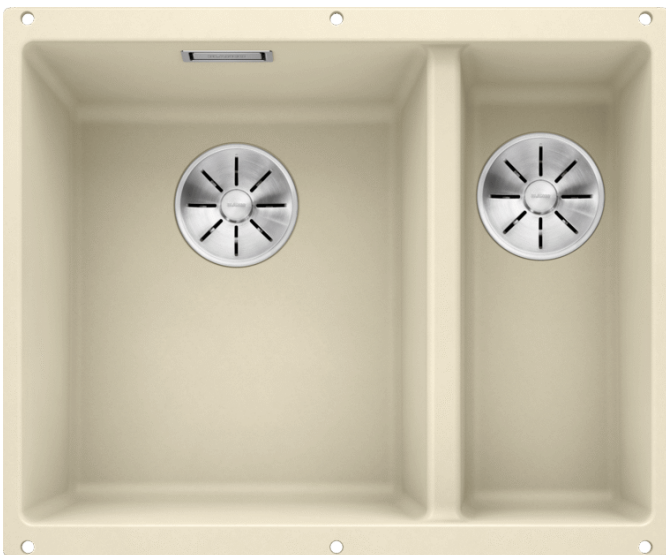
---



- Maximum bowl size provided by the very best in production and mounting technology
- Mounting involves no additional expense
- Under mount bowl for discerning demands on design
- 2 in 1: two bowls, one cut-out panel and only one mounting procedure
- Timelessly elegant, contoured bowl design
- Entire system for a wide variety of plans featuring large and small bowls
- Elegant and hygienic: the covered C-overflow®
- Optional accessories

### Colours

---



Available colours:

anthracite  
alu metallic  
pearl grey  
white  
rock grey  
tartufo  
jasmine  
coffee  
black

SILGRANIT® PuraDur® jasmine

## Planning information

---

- Cut out size: 525 x 400 x R10
- Please state hand of bowl
- Cut out information supplied with bowls.
- Cut out CNC files also available on [www.blanco.co.uk](http://www.blanco.co.uk) for download.

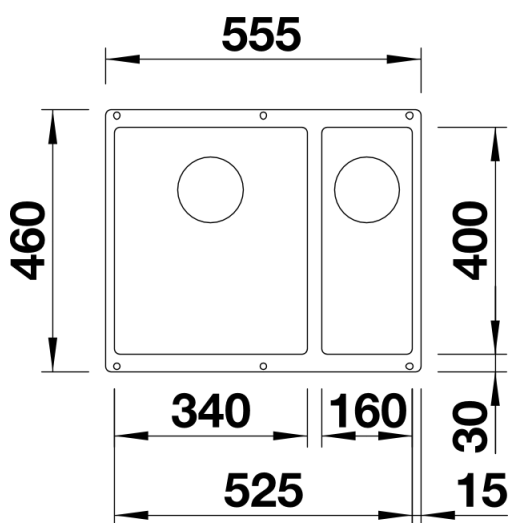
## Scope of supply

---

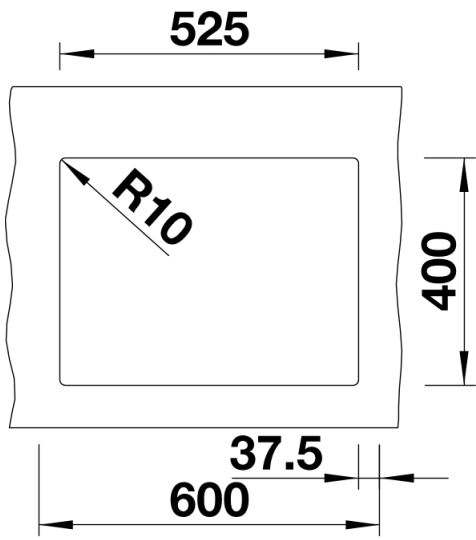
- two 3 1/2" basket strainers, fixing kit 218 269 included (sealing on site)

## Details

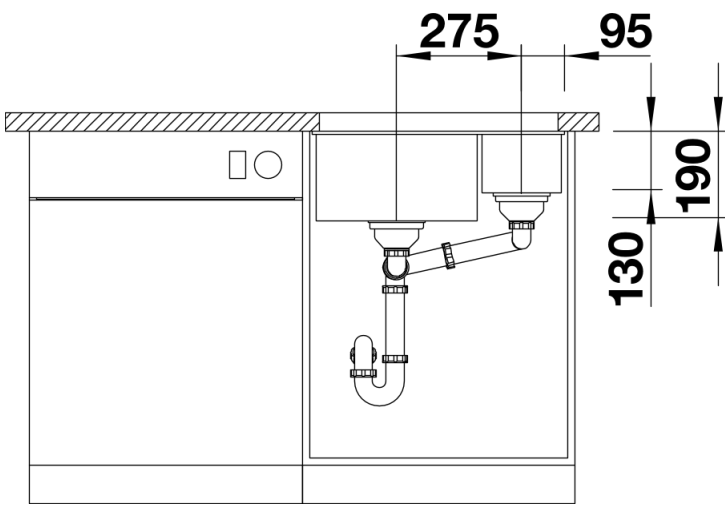
---



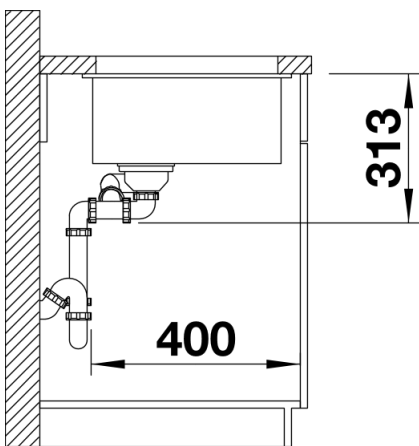
Top view



Cut-out



Front view



Side view