

Product information sheet SUBLINE 400-U

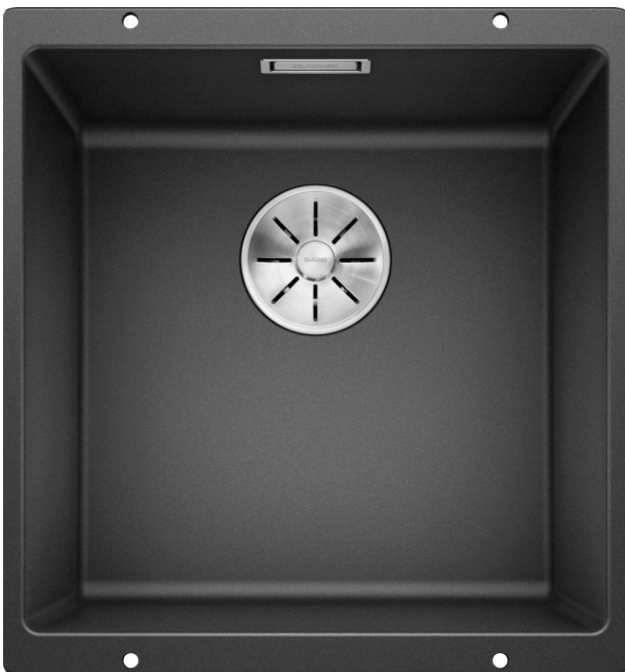
Item no. 523422

Benefits



- Maximum bowl size provided by the very best in production and mounting technology
- Mounting involves no additional expense
- Under mount bowl for discerning demands on design
- Timelessly elegant, contoured bowl design
- Entire system for a wide variety of plans featuring large and small bowls
- Elegant and hygienic: the covered C-overflow®
- Optional accessories

Colours



Available colours:

alu metallic
anthracite
pearl grey
rock grey
white
jasmine
tartufo
coffee
black

SILGRANIT® PuraDur® anthracite

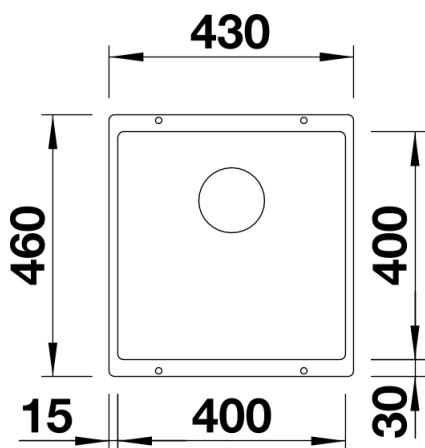
Planning information

- Corner radius: 10mm
- Cut out size: 400 x 400 x R10
- Cut out information supplied with bowls.
- Cut out CNC files also available on www.blanco.co.uk for download.

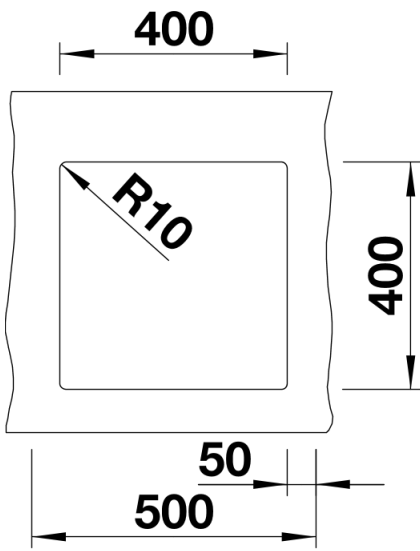
Scope of supply

- 3 1/2" basket strainer, fixing kit 218 269 included (sealing not included)

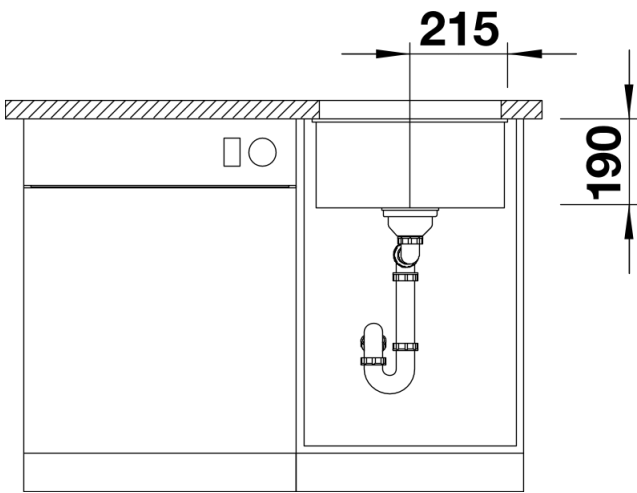
Details



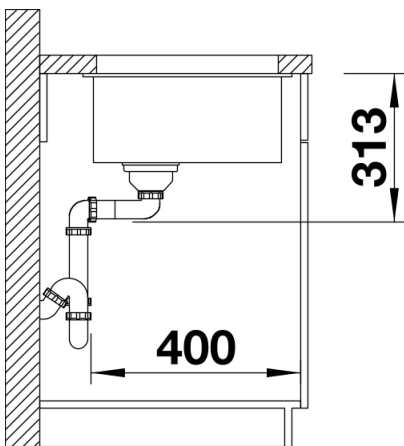
Top view



Cut-out



Front view



Side view