

## Product information sheet ANDANO XL 6 S-IF Compact

Item no. 523001

### Benefits

---



- Elegant modern design with multifunctional elements
- Compact version for plenty of comfort in limited space
- High quality features consisting of a covered C-overflow and InFino drain system – gracefully integrated and easy-care
- Large bowl capacity and fully utilisable base
- Hang-in colander integrates flush in the sink design
- Sliding glass cutting board in velvety matt night blue (optional)

## Scope of supply

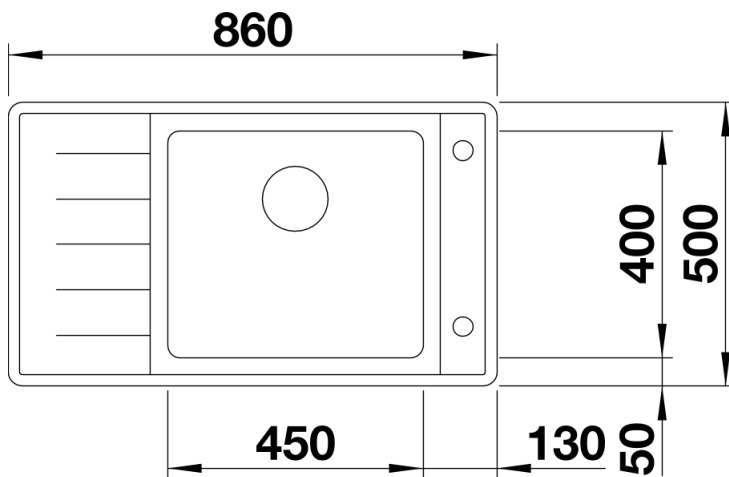
---

- multifunctional colander, waste kit with space-saving pipe, 3 1/2" InFino basket strainer with drain remote control (rotary switch)

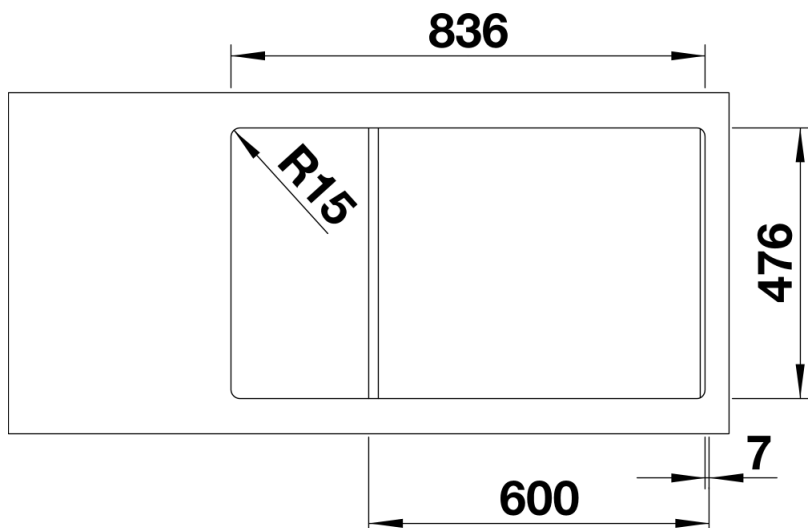
227692 - Multifunctional colander S/S

## Details

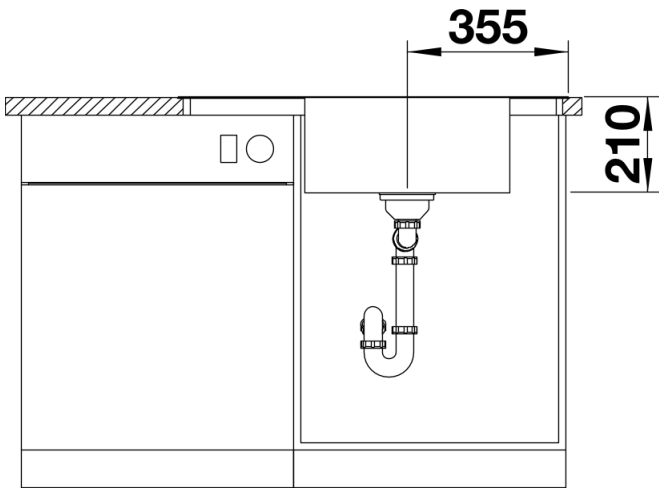
---



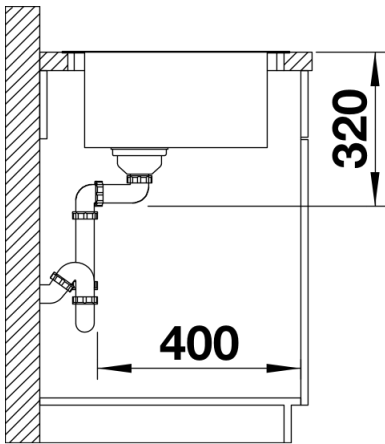
Top view



Cut-out



Front view



Side view