

Product information sheet ETAGON 500-U

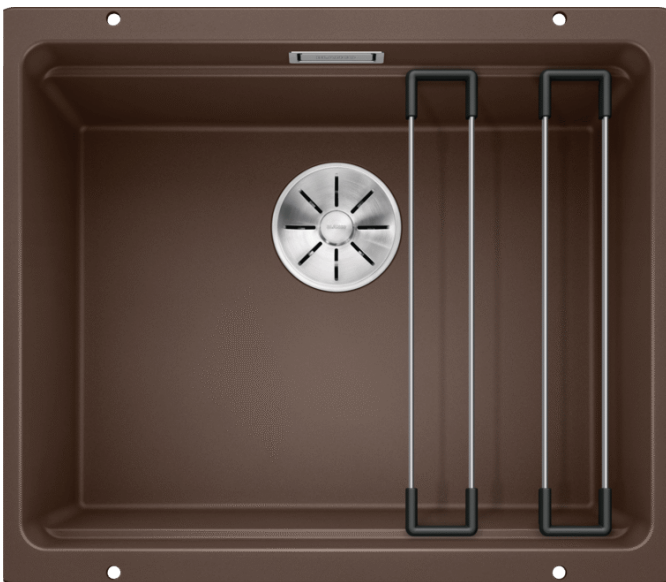
Item no. 522236

Benefits



- Generous staggered bowl with the functionality of a sink centre
- Integrated step creates an additional functions level
- Innovative system concept with versatile ETAGON rails
- High-quality features with the covered C-overflow™ and InFino™ drain system – elegantly integrated and extremely hygienic
- For under mount installation, ideal in combination with high-quality worktops

Colours



Available colours:

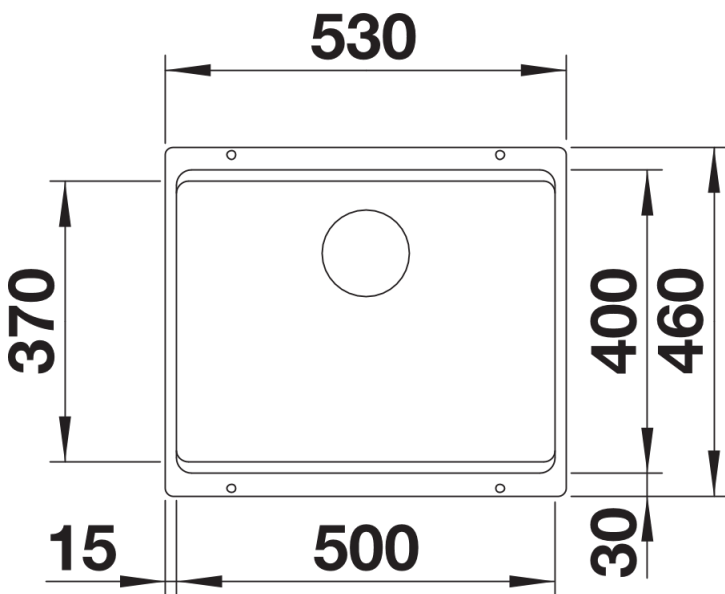
- alu metallic
- pearl grey
- white
- jasmine
- anthracite
- tartufo
- rock grey
- coffee
- black

SILGRANIT® PuraDur® coffee

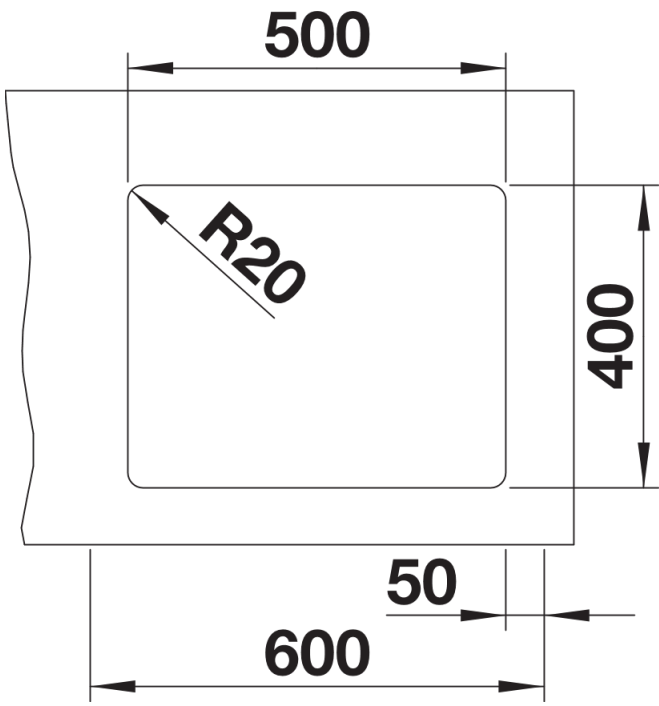
Scope of supply

- Two ETAGON rails in stainless steel, Waste fitting with space-saving pipe, 3 1/2" InFino™ basket strainer

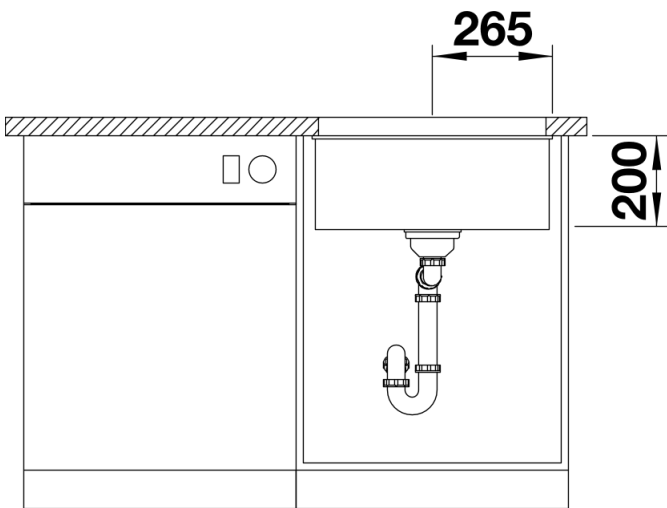
Details



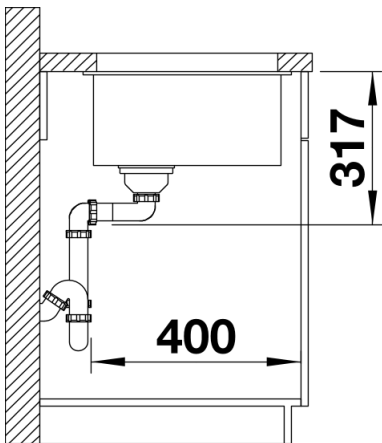
Top view



Cut-out



Front view



Side view