

Product information sheet AXIS III 6 S-IF Edition

Item no. 522106

Benefits



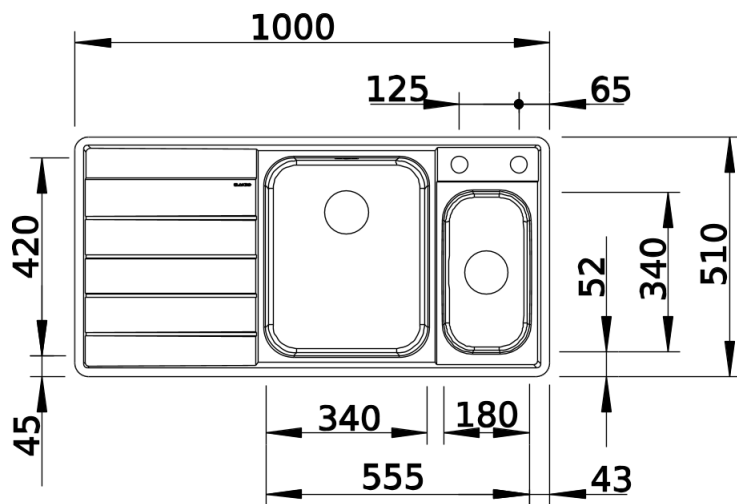
- Accentuated base contours create an aesthetically pleasing contoured bowl with large base area
- Elegant extent bowl with emphasised base contour for the largest possible level surface for the safe positioning of glasses and bulky items
- Flowing ergonomic work processes along two axis
- Multifunctional hook-in colander fits anywhere in the main bowl and multi depot tray
- Edition with lots of extras included - high-quality bridging chopping board in walnut, multi depot colander as the perfect complement to the multifunctional colander
- High-quality features with the covered C-overflow and InFino drain system – elegantly integrated and extremely easy-care

Scope of supply

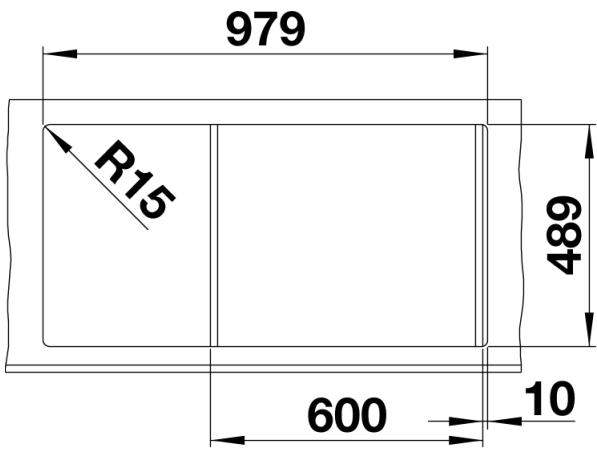
- wooden chopping board, multifunctional stainless steel colander (adequate for main bowl), stainless steel multi depot colander (adequate for main bowl), waste kit with space-saving pipe, 2 x 3 ½" InFino basket strainer with drain remote control (rotary switch) for the main bowl

224787 - Multifunctional colander
225331 - Bridging chopping board
220145 - Tray

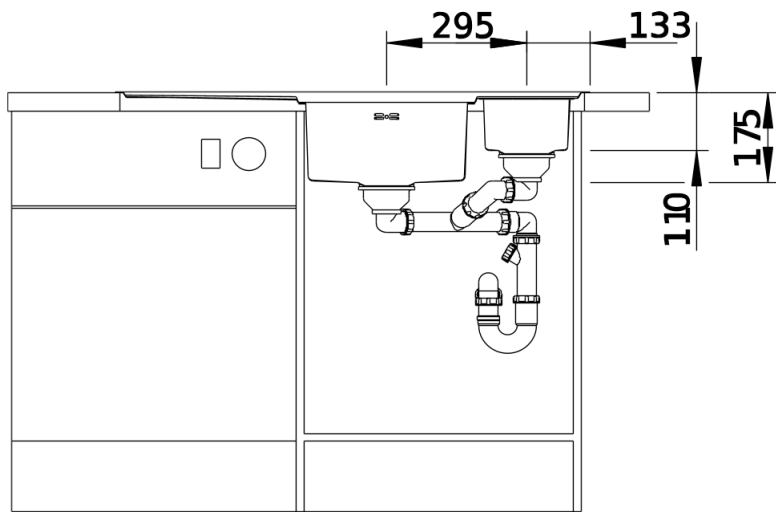
Details



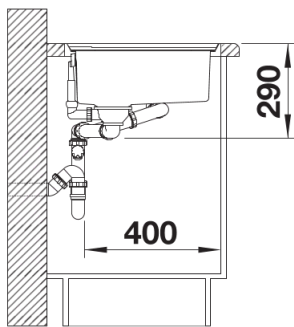
Top view



Cut-out



Front view



Side view