

## Product information sheet ARTAGO 6-IF/A SteelFrame

Item no. 521766

### Benefits

---



- Ultimate contrast: circular bowl with a square outer contour
- Innovative material mix of stainless steel and SILGRANIT
- Integrated tap ledge
- High quality features consisting of a covered C-overflow and InFino drain system – gracefully integrated and easy-care
- Mixer tap may be placed on the right or left\*

### Colours

---



Available colours:

anthracite

white

SILGRANIT anthracite

## Planning information

---

- \* For right-hand installation of the mixer tap the stainless steel frame has a horizontal polishing direction, while left-hand installation has a vertical polishing direction
- The holes cannot be drilled through, but must be "drilled".

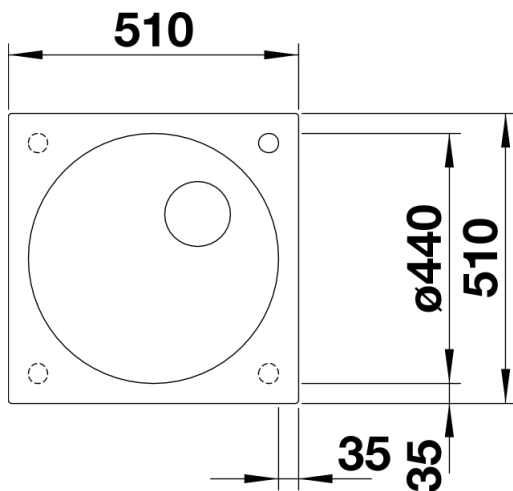
## Scope of supply

---

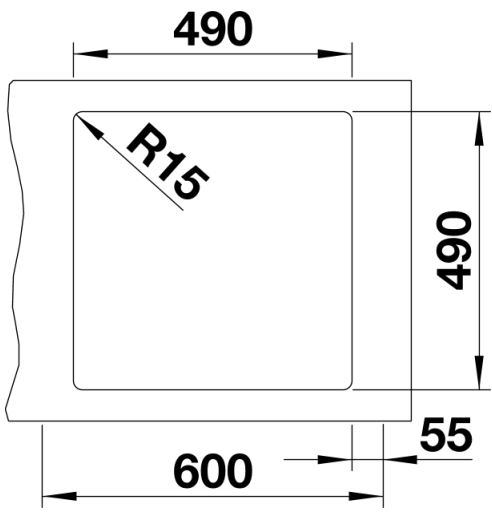
- waste kit with space-saving pipe, 3 1/2" InFino basket strainer

## Details

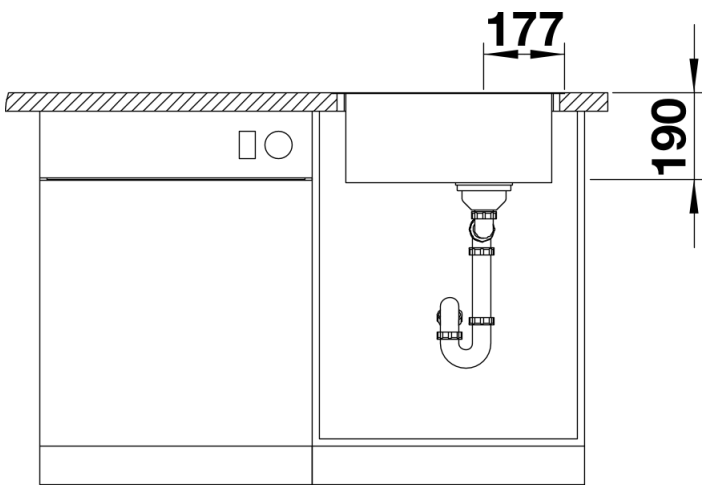
---



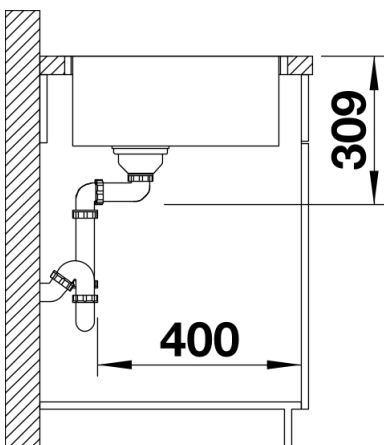
Top view



Cut-out



Front view



Side view