

## Product information sheet MIDA

Item no. 517742

### Benefits

---



- Gently rounded spout on a slender body
- For the easy filling of tall pots and vases
- Enlarged working radius thanks to the 360° swivel spout

### Colours

---



Available colours:

chrome

galvanic chrome

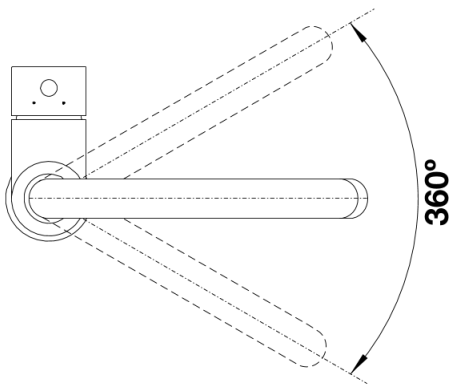
## Scope of supply

---

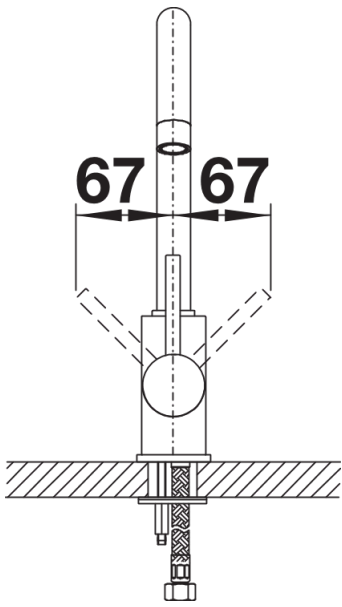
- Single-lever mixer tap
- 360° swivel spout for greater reach
- Ø 35 mm tap hole required
- With ceramic disk cartridge
- Flexible connector pipes, 350 mm long and 3/8" nut for particularly easy installation
- LGA approved

## Details

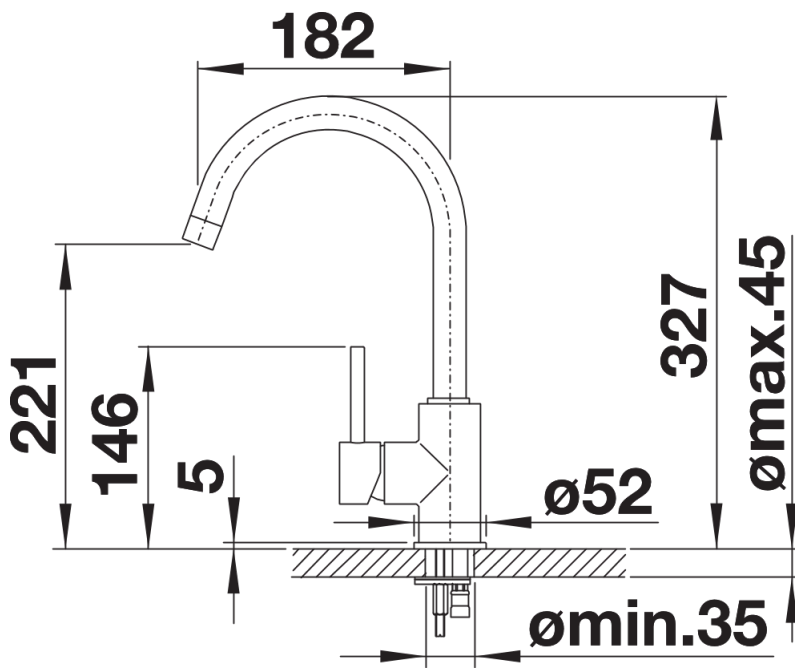
---



## Swivel range



SEITENANSICHT\_HEBEL\_2D



Side view