

**Serie | 8, Induction hob, 90 cm, Black
PXX975KW1E**

The induction hob with PerfectFry: achieve perfect frying results thanks to automatic temperature control.

- **TFT-touchdisplay:** Clear text and pictures allow simple operation of the integrated touchdisplay.
- **FlexInduction Zone:** Get more flexibility by combining the cooking zones into one big zone for placing small pots and large cookware.
- **PerfectCook:** the sensor which can be adjusted, prevents overcooking and boiling over by precise controlling the cooking temperature.
- **Home Connect:** Connected home appliances for an easier everyday life.
- **ComfortProfil:** Elegant, appealing design with bevelled front and metal strips on the side.

Technical Data

Product name/family :	Cooking zone ceramic
Construction type :	Built-in
Energy input :	Electric
Total number of positions that can be used at the same time :	5
Required niche size for installation (HxWxD) :	51 x 880-880 x 490-500
Width of the appliance :	916
Dimensions :	51 x 916 x 527
Dimensions of the packed product (HxWxD) (mm) :	125 x 1070 x 610
Net weight (kg) :	21.365
Gross weight (kg) :	23.2
Residual heat indicator :	Separate
Location of control panel :	Hob front
Color of surface :	Black
Approval certificates :	AENOR, CE
Length of electrical supply cord (cm) :	110
EAN code :	4242002951461
Electrical connection rating (W) :	11100
Voltage (V) :	220-240
Frequency (Hz) :	50; 60



Serie | 8, Induction hob, 90 cm, Black PXX975KW1E

The induction hob with PerfectFry: achieve perfect frying results thanks to automatic temperature control.

Safety Features

- 2 stage residual heat indicator for each zone
- Main on/off switch

Quickness

- PowerBoost function for all zones
- PanBoost

Design

- 916 mm
- Profile trim (front facette with side trim)

Control

- FullTouch TFT Display
- PerfectFry sensor with 5 temperature settings
- PerfectCook sensor ready (sensor sold separately)
- HomeConnect - Wi-Fi enabled, for hob hood control

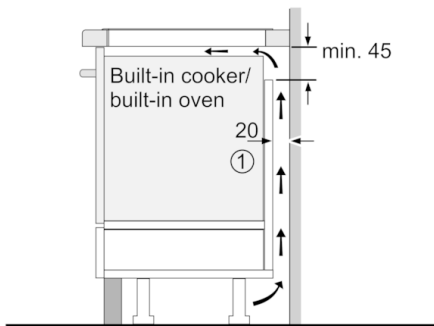
Special features

- Home Connect enabled
- 2 x flex induction zone zones with different usage possibilities: each has 2 single induction zones of 480 cm² or 1 flexible induction zone of 960 cm²
- 5 Induction cooking zones
- Triple FlexInduction
- BoschAssist
- MoveMode: MoveMode (3 levels)
- Automatic setting transfer
- Variable 17-stage power settings for each zone
- Timer for all zones
Timer - shows how long the cooktop is in use
Count up timer per cooktop
- HighSpeed ceramic glass
- Automatic pan recognition sensor
Automatic safety shut off
Control panel lock
Control panel lock function
- QuickStart function
- ReStart function
- Energy consumption display
- Cable included
- Connected load: 11.1 KW

Power and size

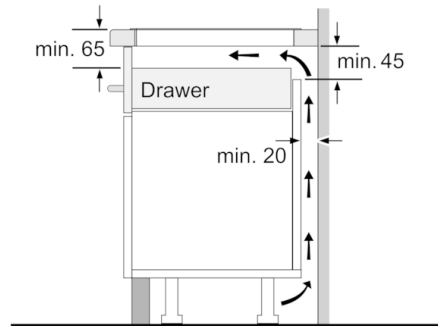
- Cooking zones: 1 x Ø 400 mmx240 mm, 3.3 KW (max. Power levels 3.7 KW) Induction or 2 x Ø 240 mm, 2.2 KW (max. Powerlevels 3.7 KW) Induction; 1 x Ø 300 mmx240 mm, 2.6 KW (max. Power levels 3.7 KW) Induction; 1 x Ø 400 mmx240 mm, 3.3 KW (max. Power levels 3.7 KW) Induction or 2 x Ø 240 mm, 2.2 KW (max. Power levels 3.7 KW) Induction
- Min. worktop thickness: 16 mm

Serie | 8, Induction hob, 90 cm, Black PXX975KW1E

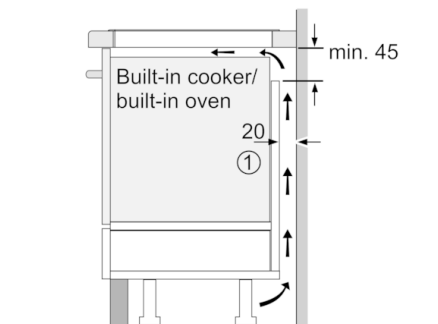
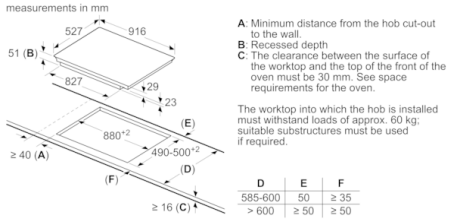


①
Ventilation gap must
be present

All measurements in mm



Measurements in mm



①
Ventilation gap must
be present

All measurements in mm