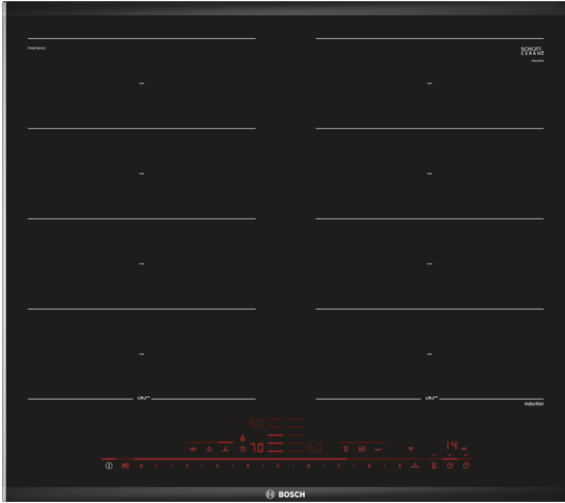


**Serie | 8, Induction hob, 60 cm, Black  
PXX675DV1E**



**The induction hob with PerfectFry: achieve perfect frying results thanks to automatic temperature control.**

- **DirectSelect Premium:** Direct, simple selection of the cooking zone, power and additional functions.
- **FlexInduction Zone:** Get more flexibility by combining the cooking zones into one big zone for placing small pots and large cookware.
- **PerfectFry:** For perfect browning of roasted foods thanks to sensor control with 5 power levels.
- **Home Connect:** Connected home appliances for an easier everyday life.
- **ComfortProfil:** Elegant, appealing design with bevelled front and metal strips on the side.

**Technical Data**

Product name/family :	Cooking zone ceramic
Construction type :	Built-in
Energy input :	Electric
Total number of positions that can be used at the same time :	4
Required niche size for installation (HxWxD) :	51 x 560-560 x 490-500
Width of the appliance :	606
Dimensions :	51 x 606 x 527
Dimensions of the packed product (HxWxD) (mm) :	126 x 753 x 603
Net weight (kg) :	14.351
Gross weight (kg) :	15.6
Residual heat indicator :	Separate
Location of control panel :	Hob front
Basic surface material :	Ceramic
Color of surface :	Black
Approval certificates :	AENOR, CE
Length of electrical supply cord (cm) :	110
EAN code :	4242002943824
Electrical connection rating (W) :	7400
Voltage (V) :	220-240
Frequency (Hz) :	60; 50



## Serie | 8, Induction hob, 60 cm, Black PXX675DV1E

**The induction hob with PerfectFry: achieve perfect frying results thanks to automatic temperature control.**

### Safety Features

- 2 stage residual heat indicator for each zone
- Main on/off switch

### Quickness

- PowerBoost function for all zones
- PanBoost

### Design

- 606 mm
- Profile trim (front facette with side trim)

### Control

- DirectSelect Premium touch control
- PerfectFry sensor with 5 temperature settings
- HomeConnect - Wi-Fi enabled, for hob hood control

### Special features

- Home Connect enabled
- 2 flexInduction zones. Can be used as 4 single induction zones of 380cm<sup>2</sup> or 2 flexible induction zones of 760cm<sup>2</sup>
- 4 induction cooking zones
- Electronic display, red
- MoveMode: MoveMode (3 levels)
- Variable 17-stage power settings for each zone
- Timer for all zones  
Timer - shows how long the cooktop is in use  
Count up timer per cooktop
- Automatic pan recognition sensor  
Automatic safety shut off  
Control panel lock  
Control panel lock function
- QuickStart function
- ReStart function
- Keep warm function
- Energy consumption display

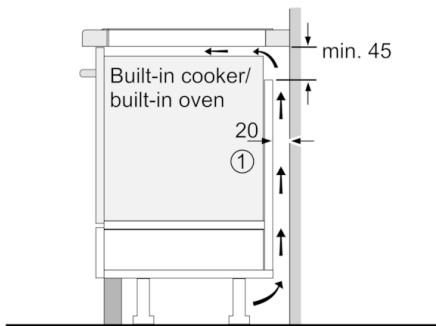
### Technical information

- Measurement: (H/B/T) 51 x 606 x 527 mm
- Installation dimensions: (ID/W/D) 51 mm x 560 mm x 490 mm
- Connection cable 110 cm
- Cable included
- Connected load: 7.4 KW

### Power and size

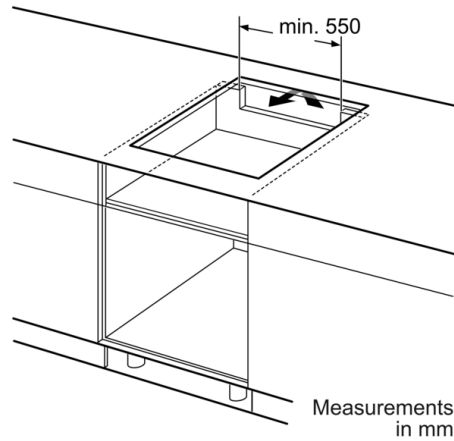
- Cooking zones: 1 x Ø 380 mmx240 mm, 3.3 KW (max. Power levels 3.7 KW) Induction or 2 x Ø 190 mm, 2.2 KW (max. Power levels 3.7 KW) Induction; 1 x Ø 380 mmx240 mm, 3.3 KW (max. Power levels 3.7 KW) Induction or 2 x Ø 190 mm, 2.2 KW (max. Power levels 3.7 KW) Induction
- Min. worktop thickness: 16 mm

**Serie | 8, Induction hob, 60 cm, Black  
PXX675DV1E**

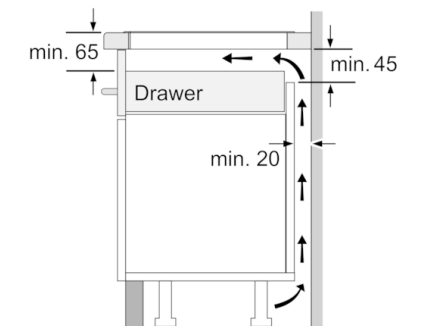


① Ventilation gap must be present

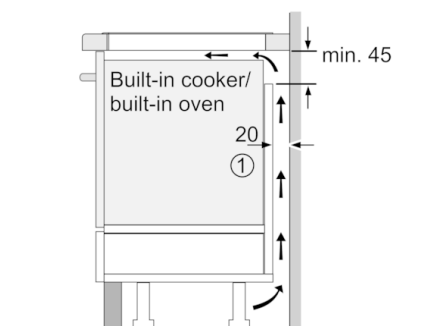
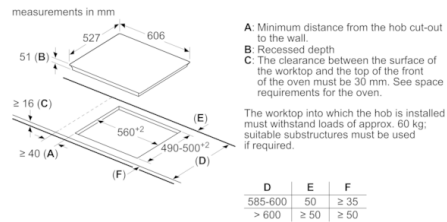
All measurements in mm



Measurements in mm



Measurements in mm



① Ventilation gap must be present

All measurements in mm