

**Serie | 8, Induction hob, 80 cm, Black
PXV875DV1E**



The induction hob with PerfectFry: achieve perfect frying results thanks to automatic temperature control.

- **DirectSelect Premium:** Direct, simple selection of the cooking zone, power and additional functions.
- **FlexInduction Zone:** Get more flexibility by combining the cooking zones into one big zone for placing small pots and large cookware.
- **PerfectFry:** For perfect browning of roasted foods thanks to sensor control with 5 power levels.
- **Home Connect:** Connected home appliances for an easier everyday life.
- **ComfortProfil:** Elegant, appealing design with bevelled front and metal strips on the side.

Technical Data

Product name/family :	Cooking zone ceramic
Construction type :	Built-in
Energy input :	Electric
Total number of positions that can be used at the same time :	5
Required niche size for installation (HxWxD) :	51 x 750-780 x 490-500
Width of the appliance :	816
Dimensions :	51 x 816 x 527
Dimensions of the packed product (HxWxD) (mm) :	126 x 953 x 603
Net weight (kg) :	18.418
Gross weight (kg) :	20.0
Residual heat indicator :	Separate
Location of control panel :	Hob front
Basic surface material :	Ceramic
Color of surface :	Black
Approval certificates :	AENOR, CE
Length of electrical supply cord (cm) :	110
EAN code :	4242002944289
Electrical connection rating (W) :	7400
Voltage (V) :	220-240
Frequency (Hz) :	60; 50



Serie | 8, Induction hob, 80 cm, Black PXV875DV1E

Quickness

- PowerBoost function for all zones
- PanBoost

The induction hob with PerfectFry: achieve perfect frying results thanks to automatic temperature control.

Design

- 816 mm
- Profile trim (front facette with side trim)

Control

- DirectSelect Premium touch control
- HomeConnect - Wi-Fi enabled, for hob hood control
- PerfectFry sensor with 5 temperature settings

Special features

- Home Connect enabled
- flexInduction zone
- 5 Induction cooking zones
- Electronic display, red
- MoveMode: MoveMode (3 levels)
- Variable 17-stage power settings for each zone
- Timer for all zones
 - Timer - shows how long the cooktop is in use
 - Count up timer per cooktop
- Automatic pan recognition sensor
 - Automatic safety shut off
 - Control panel lock
 - Control panel lock function
- QuickStart function
- ReStart function
- Energy consumption display

Technical information

- Measurement: (H/B/T) 51 x 816 x 527 mm
- Installation dimensions: (ID/W/D) 51 mm x 750 mm x 490 mm
- Connection cable 110 cm
- Cable included
- Connected load: 7.4 KW

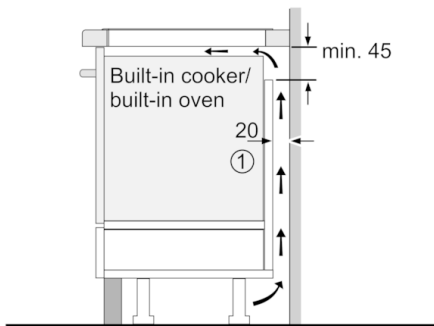
Power and size

- Cooking zones: 1 x Ø 180 mm, 1.8 KW (max. Power levels 3.1 KW) Induction; 1 x Ø 145 mm, 1.4 KW (max. Power levels 2.2 KW) Induction; 1 x Ø 240 mm, 2.2 KW (max. Power levels 3.7 KW) Induction; 1 x Ø 400 mmx210 mm, 3.3 KW (max. Power levels 3.7 KW) Induction or 2 x Ø 200 mm, 2.2 KW (max. Power levels 3.7 KW) Induction
- Min. worktop thickness: 16 mm

Safety Features

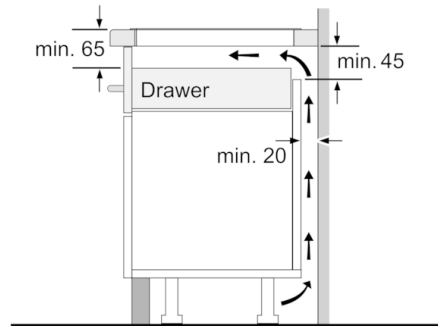
- 2 stage residual heat indicator for each zone
- Main on/off switch

Serie | 8, Induction hob, 80 cm, Black PXV875DV1E

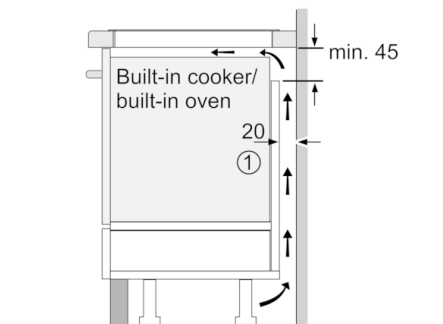
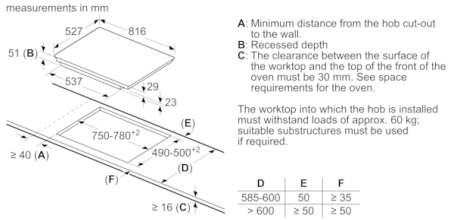


①
Ventilation gap must
be present

All measurements in mm



Measurements in mm



①
Ventilation gap must
be present

All measurements in mm

