

**Serie | 6, Induction hob, 80 cm, Black
PXV851FC1E**



The induction hob with PerfectFry: achieve perfect frying results thanks to automatic temperature control.

- **DirectSelect:** Direct, simple selection of the desired cooking zone, power and additional functions.
- **FlexInduction Zone:** Get more flexibility by combining the cooking zones into one big zone for placing small pots and large cookware.
- **PerfectFry:** For perfect browning of roasted foods thanks to sensor control with 4 power levels.
- **U-Bevel:** Elegant, appealing design with bevelled front and sides.
- **PowerBoost:** Up to 50% more power for faster heating.

Technical Data

Product name/family :	Cooking zone ceramic
Construction type :	Built-in
Energy input :	Electric
Total number of positions that can be used at the same time :	5
Required niche size for installation (HxWxD) :	51 x 750-750 x 490-500
Width of the appliance :	802
Dimensions :	51 x 802 x 522
Dimensions of the packed product (HxWxD) (mm) :	126 x 953 x 603
Net weight (kg) :	16.276
Gross weight (kg) :	17.9
Residual heat indicator :	Separate
Location of control panel :	Hob front
Basic surface material :	Ceramic
Color of surface :	Black
Approval certificates :	AENOR, CE
Length of electrical supply cord (cm) :	110
EAN code :	4242002871028
Electrical connection rating (W) :	7400
Voltage (V) :	220-240
Frequency (Hz) :	50; 60



Serie | 6, Induction hob, 80 cm, Black PXV851FC1E

The induction hob with PerfectFry: achieve perfect frying results thanks to automatic temperature control.

Design

- 802 mm
- Three sided bevelled frameless finish

Control

- DirectSelect
- PerfectFry sensor with 4 temperature settings

Special features

- 5 Induction cooking zones
- flexInduction zone
- Digital display, red
- Variable 17-stage power settings for each zone
- Timer for all zones
 - Timer - shows how long the cooktop is in use
- Automatic pan recognition sensor
 - Automatic safety shut off
 - Control panel lock
 - Control panel lock function
- QuickStart function
- ReStart function
- Energy consumption display
- Cable included
- Connection cable 110 cm
- Connected load: 7.4 KW

Power and size

- Cooking zones: 1 x Ø 180 mm, 1.8 KW (max. Power levels 3.1 KW) Induction; 1 x Ø 145 mm, 1.4 KW (max. Power levels 2.2 KW) Induction; 1 x Ø 240 mm, 2.2 KW (max. Power levels 3.7 KW) Induction; 1 x Ø 400 mmx210 mm, 3.3 KW (max. Power levels 3.7 KW) Induction or 2 x Ø 200 mm, 2.2 KW (max. Power levels 3.7 KW) Induction
- Min. worktop thickness: 16 mm
- Measurement: (H/B/T) 51 x 802 x 522 mm
- Installation dimensions: (ID/W/D) 51 mm x 750 mm x 490 mm

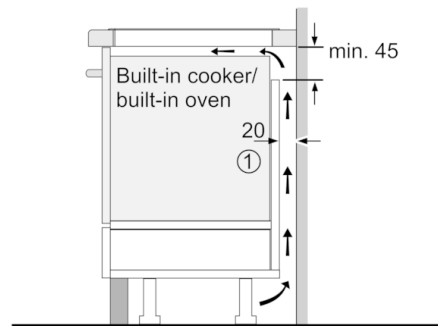
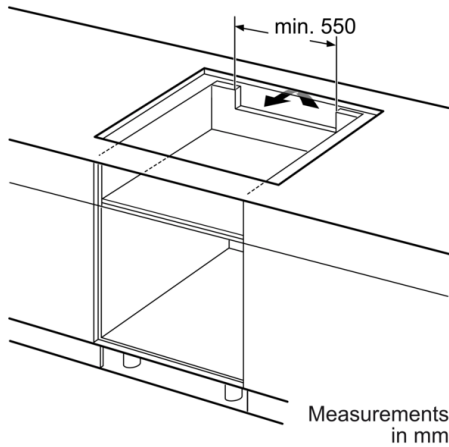
Safety Features

- 2 stage residual heat indicator for each zone
- Main on/off switch

Quickness

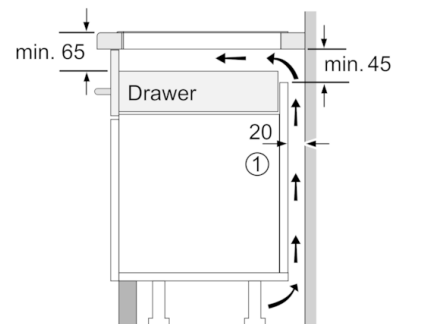
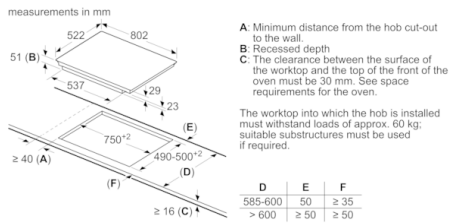
- PowerBoost function for all zones

Serie | 6, Induction hob, 80 cm, Black PXV851FC1E



①
Ventilation gap must
be present

All measurements in mm



①
Ventilation gap must
be present.

Measurements in mm