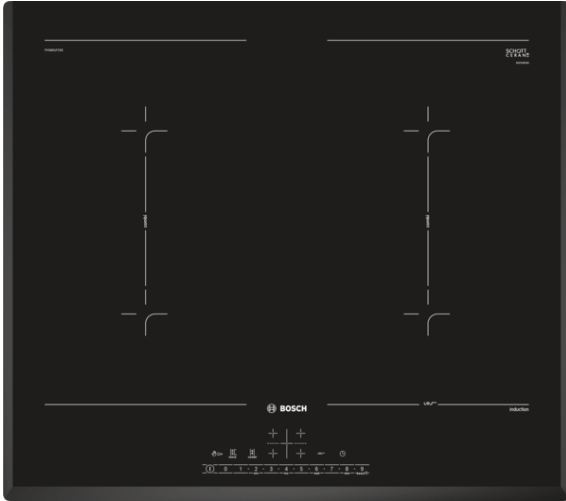


**Serie | 6, Induction hob, 60 cm, Black
PVQ651FC5E**



The induction hob with PerfectFry: achieve perfect frying results thanks to automatic temperature control.

- **DirectSelect:** Direct, simple selection of the desired cooking zone, power and additional functions.
- **CombiZone:** More flexibility by combining two cooking zones for cooking with even heat distribution for larger cookware like roasters.
- **PerfectFry:** For perfect browning of roasted foods thanks to sensor control with 4 power levels.
- **U-Bevel:** Elegant, appealing design with bevelled front and sides.
- **PowerBoost:** Up to 50% more power for faster heating.

Technical Data

Product name/family :	Cooking zone ceramic
Construction type :	Built-in
Energy input :	Electric
Total number of positions that can be used at the same time :	4
Required niche size for installation (HxWxD) :	51 x 560-560 x 490-500
Width of the appliance :	592
Dimensions :	51 x 592 x 522
Dimensions of the packed product (HxWxD) (mm) :	126 x 753 x 608
Net weight (kg) :	12.711
Gross weight (kg) :	13.9
Residual heat indicator :	Separate
Location of control panel :	Hob front
Basic surface material :	Ceramic
Color of surface :	Black
Approval certificates :	AENOR, CE
Length of electrical supply cord (cm) :	110
EAN code :	4242005088256
Electrical connection rating (W) :	7400
Voltage (V) :	220-240
Frequency (Hz) :	50; 60



Serie | 6, Induction hob, 60 cm, Black PVQ651FC5E

Quickness

- PowerBoost function for all zones

The induction hob with PerfectFry: achieve perfect frying results thanks to automatic temperature control.

Design

- 592 mm
- Three sided bevelled frameless finish

Control

- DirectSelect
- PerfectFry sensor with 4 temperature settings

Special features

- 2 Combi zones
- 2 x Combined heating zones with different usage possibilities:
each has 2 single induction zones of 480 cm² or 1 flexible
induction zone of 798 cm²
- MoveMode: MoveMode (2 levels)
- 4 induction cooking zones
- Digital display, red
- Variable 17-stage power settings for each zone
- Timer for all zones
Timer - shows how long the cooktop is in use
- QuickStart function
- ReStart function
- Energy consumption display

Power and size

- Connected load: 7.4 KW
- Cooking zones:
1 x 380 mm x 210 mm, 3.6 KW Induction or 2 x 190 mm, 210
mm, 2.2 KW (max. power 3.7 KW) Induction;
1 x 380 mm x 210 mm, 3.6 KW Induction or 2 x 190 mm, 210
mm , 2.2 KW (max power 3.7 KW) Induction

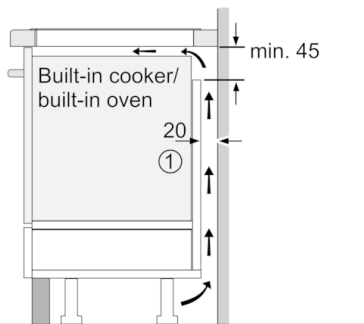
Safety Features

- Automatic pan recognition sensor
Automatic safety shut off
Control panel lock
Control panel lock function
- 2 stage residual heat indicator for each zone
- Main on/off switch

Technical information

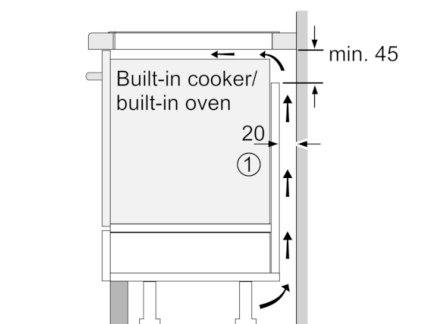
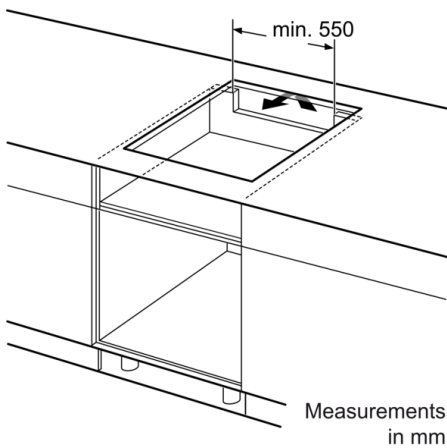
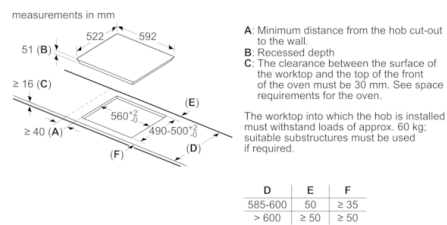
- Cable included
- Connection cable 110 cm
- Min. worktop thickness: 16 mm
- Installation dimensions: (I/D/W/D) 51 mm x 560 mm x 490 mm
- Appliance dimensions: (W/D) 592 mm x 522 mm

Serie | 6, Induction hob, 60 cm, Black PVQ651FC5E



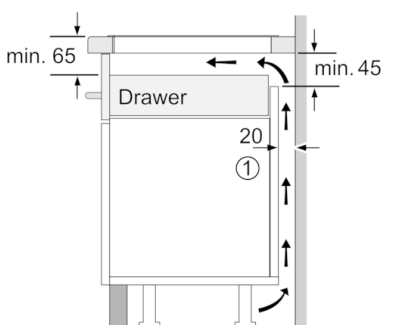
①
Ventilation gap must
be present

All measurements in mm



①
Ventilation gap must
be present

All measurements in mm



①
Ventilation gap must
be present.

Measurements in mm